



Compressor
Voltage Code : FZ

AE4460P-FZ1B

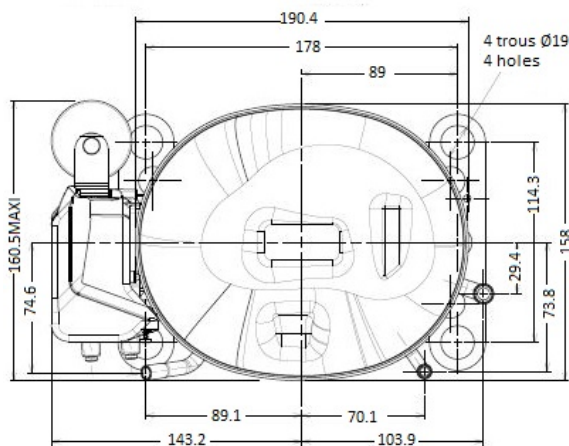
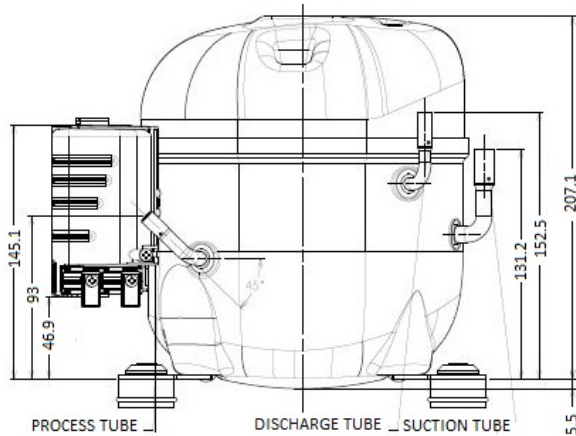
High Temp. Commercial (HP)

220 - 240V 1~ 50 Hz

R455A / R454C

AE4460P-FZ1B

Conditions	Frequency	Nominal Cooling Capacity		Sound Power ISO3745 / ISO 3743-1
		Watts	BTU/h	
CECOMAF / R455A	50 Hz	1305	4450	57 dBA
CECOMAF / R454C	50 Hz	1210	4127	57 dBA



* CECOMAF : T°Cond. 55.0°C / T°Evap. 5.0°C / T°Return gas temp.. 32.0°C
T°Subcooling. 0.0K

Certificates :



Displacement (cc)	10,33
Net Weight (Kg)	11.3
Oil Quantity (cc)	380.0
Oil Type	Polyolester
Expansion Device	Capillary_Tube or Expansion_Valv
Cooling	Fan
Main Winding (Ohm)	3.5
Start Winding (Ohm)	19.3
Current	
RLA (A)	3,8
MCC (A)	5,4
LRA (A)	19,0
Electrical Equipment	CSIR
Overload	MRA58180
Time Check	5.5s - 17s / 14 A
Open Temp	135° C
Close Temp	52° C
Start Capacitor	64 µF / 330 V
Current Relay	9660C-***-161
Pick Up	9,75A
Drop Out	8,20A
Refrigerating connection for	
Suction Tube	9.5 (3/8")
Discharge Tube	6.35 (1/4")
Process Tube	6.35 (1/4")

Note : Tecumseh reserves the right to change information contained in this document without notification.



Tecumseh

AE4460P-FZ1B	Tension FZ : 220 - 240V 1~ 50 Hz
---------------------	---

Les performances sont données dans les **conditions CECOMAF** :
 Condition Mid
 The performance data are in **CECOMAF conditions** :
 Mid Condition

Gaz aspirés : 32.0 °C
 Sous refroidissement : 0.0 K
 Return gas : 32.0 °C
 Subcooling : 0.0 K

© 2021 Tecumseh Products Company
All rights reserved

50 Hz R455A

N°3224

4 T condensation	5 T évaporation	(°C)	-25	-20	-15	-10	-5	0	5	10	15
30	1 P frigorifique	(Watt)		748	922	1133	1383	1678	2020	2413	2863
	2 P absorbée	(W)		366	397	425	450	470	485	494	497
	3 I absorbée	(A)		3.01	3.08	3.14	3.20	3.26	3.30	3.34	3.36
40	1 P frigorifique	(Watt)			791	974	1190	1442	1734	2070	2453
	2 P absorbée	(W)			438	473	505	534	559	580	594
	3 I absorbée	(A)			3.16	3.26	3.36	3.46	3.55	3.64	3.72
50	1 P frigorifique	(Watt)				807	991	1203	1447	1728	2050
	2 P absorbée	(W)				508	551	592	629	663	692
	3 I absorbée	(A)				3.37	3.51	3.66	3.80	3.95	4.09
60	1 P frigorifique	(Watt)					790	965	1164	1394	1657
	2 P absorbée	(W)					586	641	694	744	790
	3 I absorbée	(A)					3.60	3.79	4.00	4.21	4.41

50 Hz R454C

N°3218

4 T condensation	5 T évaporation	(°C)	-25	-20	-15	-10	-5	0	5	10	15
30	1 P frigorifique	(Watt)		663	824	1019	1251	1523	1838	2199	2610
	2 P absorbée	(W)		346	374	400	421	439	452	459	462
	3 I absorbée	(A)		2.95	3.00	3.06	3.12	3.18	3.23	3.27	3.28
40	1 P frigorifique	(Watt)			704	876	1079	1315	1588	1902	2259
	2 P absorbée	(W)			401	434	465	493	517	536	551
	3 I absorbée	(A)			3.06	3.15	3.24	3.33	3.41	3.49	3.55
50	1 P frigorifique	(Watt)				731	904	1105	1336	1602	1906
	2 P absorbée	(W)				464	505	542	577	609	636
	3 I absorbée	(A)				3.24	3.37	3.50	3.63	3.75	3.86
60	1 P frigorifique	(Watt)					730	895	1085	1303	1554
	2 P absorbée	(W)					543	591	637	680	721
	3 I absorbée	(A)					3.46	3.64	3.81	3.99	4.16

1 = cooling capacity 2 = power input 3 = current 4 = condensing temperature 5 = evaporating temperature

Nota : Tecumseh se réserve le droit de modifier les informations contenues dans ce document sans préavis.

Note : Tecumseh reserves the right to change information contained in this document without notification.