



Compressor
Voltage Code : FZ

AJ4510P-FZ

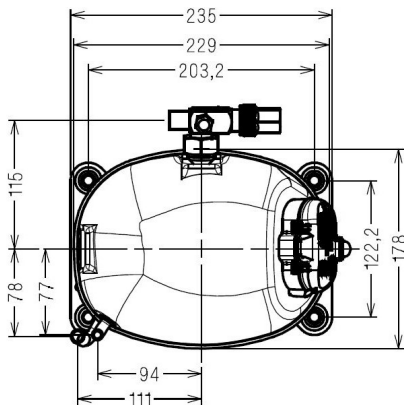
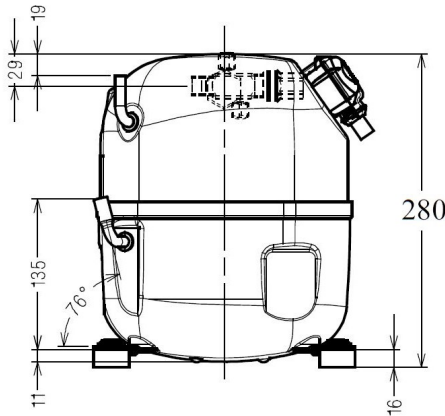
High Temp. Commercial (HP)

220 - 240V 1~ 50 Hz

R455A / R454C

AJ4510P-FZ3A

Conditions	Frequency	Nominal Cooling Capacity		Sound Power ISO3745 / ISO 3743-1
		Watts	BTU/h	
CECOMAF / R455A	50 Hz	2220	7571	63 dBA
CECOMAF / R454C	50 Hz	1983	6761	63 dBA



* CECOMAF : T°Cond. 55.0°C / T°Evap. 5.0°C / T°Return gas temp.. 32.0°C
T°Subcooling. 0.0K

Certificates :



Displacement (cc)	18,3
Net Weight (Kg)	21.5
Oil Quantity (cc)	475.0
Oil Type	Polyolester
Expansion Device	Capillary_Tube/Expansion_Valve
Cooling	Fan
Main Winding (Ohm)	2.9
Start Winding (Ohm)	8.8
Current	
RLA (A)	4,7
MCC (A)	7,5
LRA (A)	29.5
Electrical Equipment	CSR
Overload	MRA38128
Time Check	2.8s - 5.2s / 20.5 A
Open Temp	105° C
Close Temp	52° C
Start Capacitor	100 µF / 330 V
Run Capacitor	15 µF / 400 V
Potential Relay	RVA40**
Pick Up	280/310V
Drop Out	60/121V
Refrigerating connection for	
Suction Tube	15.9 (5/8")
Discharge Tube	7.9 (5/16")
Process Tube	6.35 (1/4")

Note : Tecumseh reserves the right to change information contained in this document without notification.



Tecumseh

AJ4510P-FZ	Tension FZ : 220 - 240V 1~ 50 Hz
-------------------	---

Les performances sont données dans les **conditions CECOMAF** :
 Condition Mid

The performance data are in **CECOMAF conditions** :
 Mid Condition

Gaz aspirés : 32.0 °C
 Sous refroidissement : 0.0 K

Return gas : 32.0 °C
 Subcooling : 0.0 K

© 2022 Tecumseh Products Company
All rights reserved

50 Hz R455A

N°3276

4 T condensation	5 T évaporation	(°C)	-25	-20	-15	-10	-5	0	5	10	15
30	1 P frigorifique	(Watt)		1165	1502	1899	2366	2910	3540	4264	5095
	2 P absorbée	(W)		605	658	704	745	783	820	858	898
	3 I absorbée	(A)		2.92	3.17	3.38	3.58	3.75	3.89	4.02	4.14
40	1 P frigorifique	(Watt)			1230	1575	1980	2452	3001	3634	4361
	2 P absorbée	(W)			697	764	824	878	929	978	1026
	3 I absorbée	(A)			3.35	3.66	3.94	4.20	4.42	4.62	4.79
50	1 P frigorifique	(Watt)				1261	1605	2007	2475	3019	3649
	2 P absorbée	(W)				804	889	965	1036	1102	1165
	3 I absorbée	(A)				3.84	4.24	4.60	4.93	5.22	5.48
60	1 P frigorifique	(Watt)					1249	1582	1972	2429	2962
	2 P absorbée	(W)					931	1035	1132	1221	1305
	3 I absorbée	(A)					4.44	4.93	5.39	5.81	6.18

50 Hz R454C

N°3277

4 T condensation	5 T évaporation	(°C)	-25	-20	-15	-10	-5	0	5	10	15
30	1 P frigorifique	(Watt)		1062	1352	1698	2109	2592	3156	3809	4557
	2 P absorbée	(W)		555	604	650	692	729	758	778	788
	3 I absorbée	(A)		2.70	2.92	3.14	3.33	3.49	3.61	3.67	3.67
40	1 P frigorifique	(Watt)			1125	1421	1771	2184	2666	3228	3876
	2 P absorbée	(W)			646	706	762	813	856	892	916
	3 I absorbée	(A)			3.11	3.38	3.64	3.88	4.07	4.22	4.31
50	1 P frigorifique	(Watt)				1161	1453	1798	2203	2678	3230
	2 P absorbée	(W)				755	829	898	961	1016	1061
	3 I absorbée	(A)				3.60	3.94	4.27	4.57	4.83	5.03
60	1 P frigorifique	(Watt)					1156	1438	1769	2161	2621
	2 P absorbée	(W)					869	961	1047	1126	1195
	3 I absorbée	(A)					4.15	4.59	5.01	5.39	5.73

1 = cooling capacity 2 = power input 3 = current 4 = condensing temperature 5 = evaporating temperature

Nota : Tecumseh se réserve le droit de modifier les informations contenues dans ce document sans préavis.

Note : Tecumseh reserves the right to change information contained in this document without notification.