



Compressor
Voltage Code : FZ

AJ4511N-FZ

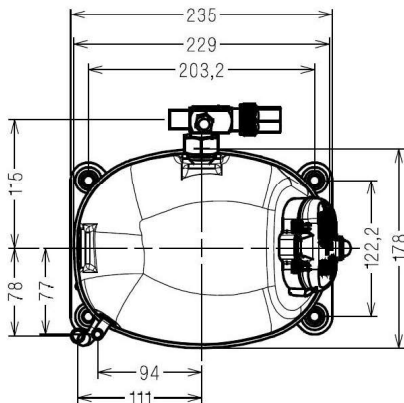
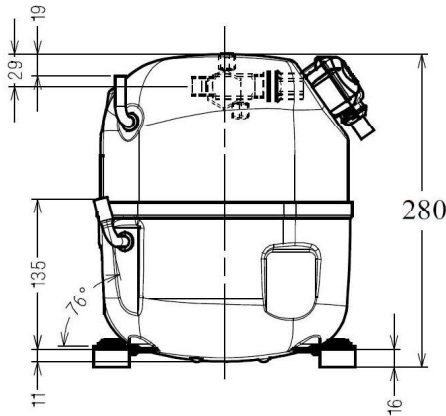
High Temp. Commercial (HP)

220 - 240V 1~ 50 Hz

R1234yf / R134a / R513A

AJ4511N-FZ3B

Conditions	Frequency	Nominal Cooling Capacity		Sound Power ISO3745 / ISO 3743-1
		Watts	BTU/h	
CECOMAF / R1234yf	50 Hz	2473	8434	61 dBA
CECOMAF / R134a	50 Hz	2602	8871	61 dBA
CECOMAF / R513A	50 Hz	2638	8995	61 dBA



* CECOMAF : T°Cond. 55.0°C / T°Evap. 5.0°C / T°Return gas temp.. 32.0°C
T°Subcooling. 0.0K

Certificates :



Displacement (cc)	32,7
Net Weight (Kg)	20.8
Oil Quantity (cc)	475.0
Oil Type	Polyolester
Expansion Device	Capillary_Tube/Expansion_Valve
Cooling	Fan
Main Winding (Ohm)	2.9
Start Winding (Ohm)	8.8
Current	
RLA (A)	5.7
MCC (A)	8.7
LRA (A)	29,5
Electrical Equipment	CSR
Overload	MRA38088
Time Check	2.8s - 5.2s / 27.5 A
Open Temp	105° C
Close Temp	57° C
Optional	T0419
Start Capacitor	88 µF / 330 V
Run Capacitor	15 µF / 400 V
Potential Relay	RVA6M**
Pick Up	239/268V
Drop Out	60/135V
Optional	3ARR3*4AA*
Refrigerating connection for	
Suction Tube	15.9 (5/8")
Discharge Tube	7.9 (5/16")
Process Tube	6.35 (1/4")

Note : Tecumseh reserves the right to change information contained in this document without notification.



Tecumseh

AJ4511N-FZ	Tension FZ : 220 - 240V 1~ 50 Hz
-------------------	---

Les performances sont données dans les conditions CECOMAF :	Gaz aspirés :	32.0 °C
Condition Dew	Sous refroidissement :	0.0 K
The performance data are in CECOMAF conditions :	Return gas :	32.0 °C
Dew Condition	Subcooling :	0.0 K

© 2024 Tecumseh Products Company
All rights reserved

50 Hz R1234yf

N°284QT-FZ

4 T condensation	5 T évaporation	(°C)	-25	-20	-15	-10	-5	0	5	10	15
30	1 P frigorifique	(Watt)	940	1245	1608	2034	2528	3096	3742	4473	5293
	2 P absorbée	(W)	526	595	660	721	775	820	853	874	879
	3 I absorbée	(A)	2.73	3.00	3.26	3.49	3.71	3.91	4.09	4.25	4.39
40	1 P frigorifique	(Watt)		1033	1360	1736	2167	2659	3217	3846	4553
	2 P absorbée	(W)		612	696	779	858	932	998	1054	1098
	3 I absorbée	(A)		2.95	3.34	3.71	4.07	4.40	4.71	5.01	5.28
50	1 P frigorifique	(Watt)			1104	1438	1815	2240	2717	3254	3856
	2 P absorbée	(W)			708	812	915	1015	1111	1201	1282
	3 I absorbée	(A)			3.32	3.83	4.32	4.79	5.24	5.67	6.08
60	1 P frigorifique	(Watt)				1128	1459	1824	2230	2683	3187
	2 P absorbée	(W)				822	947	1073	1198	1319	1436
	3 I absorbée	(A)				3.85	4.47	5.07	5.66	6.22	6.77

50 Hz R134a

N°284QT-FZA

4 T condensation	5 T évaporation	(°C)	-25	-20	-15	-10	-5	0	5	10	15
30	1 P frigorifique	(Watt)	844	1156	1527	1967	2486	3092	3797	4608	5535
	2 P absorbée	(W)	491	565	632	696	759	826	901	987	1087
	3 I absorbée	(A)	2.33	2.64	2.94	3.24	3.53	3.83	4.13	4.42	4.71
40	1 P frigorifique	(Watt)		962	1304	1702	2166	2705	3329	4048	4872
	2 P absorbée	(W)		575	664	746	825	904	986	1076	1177
	3 I absorbée	(A)		2.64	3.03	3.42	3.81	4.20	4.58	4.97	5.35
50	1 P frigorifique	(Watt)			1063	1419	1829	2302	2847	3475	4195
	2 P absorbée	(W)			672	781	883	982	1081	1184	1294
	3 I absorbée	(A)			3.06	3.54	4.02	4.50	4.97	5.45	5.92
60	1 P frigorifique	(Watt)				1124	1480	1887	2354	2891	3508
	2 P absorbée	(W)				794	928	1055	1178	1302	1430
	3 I absorbée	(A)				3.60	4.17	4.74	5.30	5.87	6.43

1 = cooling capacity 2 = power input 3 = current 4 = condensing temperature 5 = evaporating temperature

Nota : Tecumseh se réserve le droit de modifier les informations contenues dans ce document sans préavis.

Note : Tecumseh reserves the right to change information contained in this document without notification.



Tecumseh

AJ4511N-FZ	Tension FZ : 220 - 240V 1~ 50 Hz
-------------------	---

Les performances sont données dans les conditions CECOMAF :	Gaz aspirés :	32.0 °C
Condition Dew	Sous refroidissement :	0.0 K
The performance data are in CECOMAF conditions :	Return gas :	32.0 °C
Dew Condition	Subcooling :	0.0 K

50 Hz R513A

N°3306

4 T condensation	5 T évaporation	(°C)	-25	-20	-15	-10	-5	0	5	10	15
30	1 P frigorifique	(Watt)	996	1325	1709	2158	2682	3288	3987	4788	5699
	2 P absorbée	(W)	542	619	689	754	819	889	968	1060	1169
	3 I absorbée	(A)	2.33	2.64	2.94	3.24	3.53	3.83	4.13	4.42	4.71
40	1 P frigorifique	(Watt)		1094	1446	1848	2309	2839	3448	4143	4935
	2 P absorbée	(W)		620	714	800	882	964	1052	1148	1257
	3 I absorbée	(A)		2.64	3.03	3.42	3.81	4.20	4.58	4.97	5.35
50	1 P frigorifique	(Watt)			1164	1524	1928	2386	2908	3503	4179
	2 P absorbée	(W)			713	830	938	1043	1148	1259	1379
	3 I absorbée	(A)			3.06	3.54	4.02	4.50	4.97	5.45	5.92
60	1 P frigorifique	(Watt)				1185	1537	1928	2367	2866	3432
	2 P absorbée	(W)				836	980	1117	1251	1385	1525
	3 I absorbée	(A)				3.60	4.17	4.74	5.30	5.87	6.43

© 2024 Tecumseh Products Company
All rights reserved

1 = cooling capacity 2 = power input 3 = current 4 = condensing temperature 5 = evaporating temperature

Nota : Tecumseh se réserve le droit de modifier les informations contenues dans ce document sans préavis.
Note : Tecumseh reserves the right to change information contained in this document without notification.