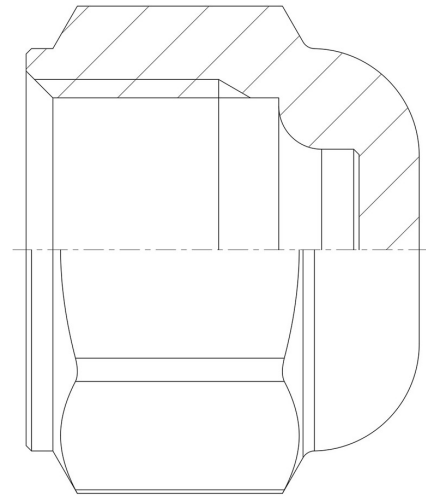


Product Code

7020/20

Blind Nut
1/4" Flare
PS = 140 bar



Product use

Accessories for use with the following ASHRAE 34:2019 refrigerants, Class A1, A2L, or A3:

- HCFC (R22)
- HFC (R134a, R32, R404A, R407C, R410A, R507)
- HFO and HFO/HFC blends (R1234ze, R1234yf, R448A, R449A, R450A, R452A, R513A, R515A, R515B)
- HC (R290, R600, R600a, R1270)
- R744

Product details

International code N5-4 CAP NUT

SAE Flare 1/4"

Copper Pipe Ø [in.] -

Copper Pipe Ø [mm] -

PS [bar] 140

Package pcs 100

Notes

(1) Can be used without copper gasket