

FE2owlet

for single phase alternating current, 2 pole

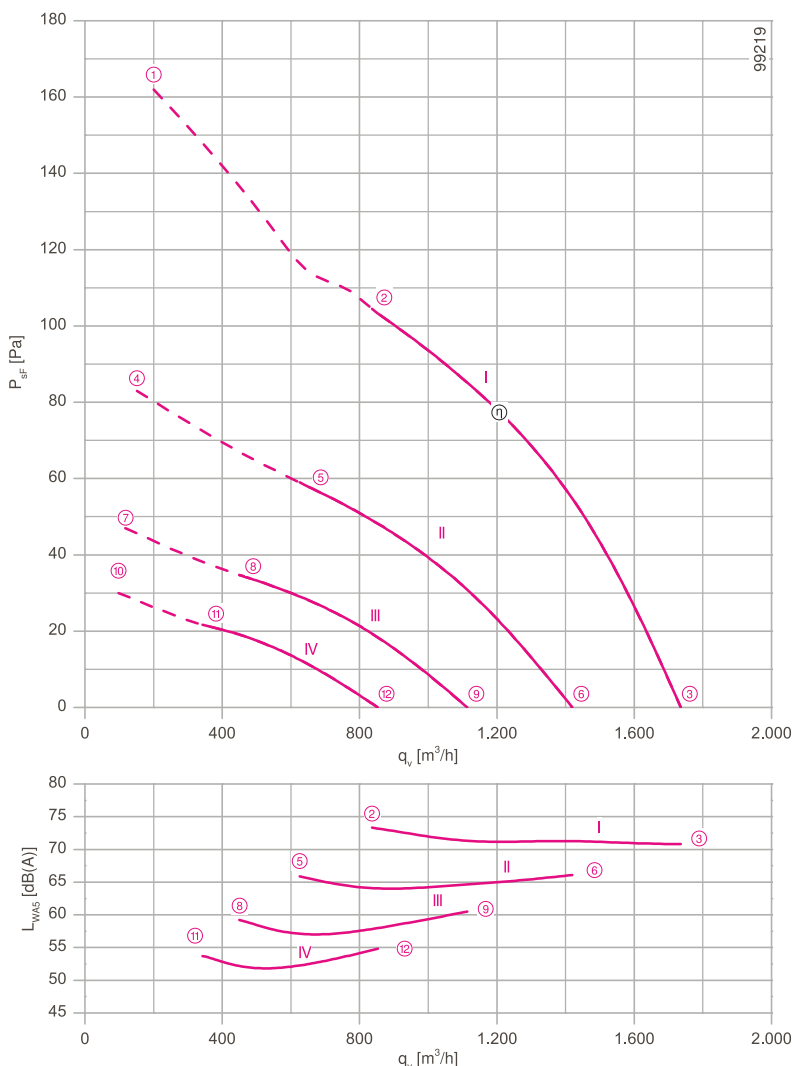
FN025-2E



Description

Motor technology: AC
 Rated voltage U_N : 1~ 230 V*
 Rated frequency f_N : 50 Hz* (60Hz data available)
 Motor input power P_1 : 0.12 kW*
 Rated current I_N : 0.54 A*
 Rated speed n_N : 2160 min⁻¹*
 Starting current I_s : 0.75 A
 Current increase ΔI : 0 %
 Service capacitor C_{400V} : 3.5 μ F
 Thermal class: **THCL155***
 Min. permitted conveyor temperature $t_{R(min)}$: -40 °C
 Max. permitted conveyor temperature $t_{R(max)}$: 65 °C
 Electrical connection: Supply cable variable 45 cm
 Number of blades: 7
 Motor protection: Thermal contact
 Blades: High Performance Composite Material, uncoated, black
 Rotor: Aluminium, 1 coat paint, Ultramarine blue
 Conformity: CE
ErP Data
 Is not subject to the ErP Guidelines ($P_1 < 125$ W)
 * Rated data

Characteristic curve



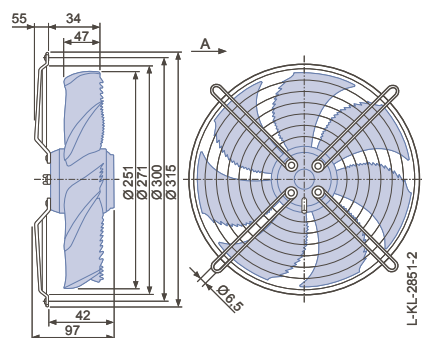
Measured in full bell mouth without guard grille in installation type A according to ISO 5801.

- Connection diagram 1360-177X Page 609
- System components Page 524

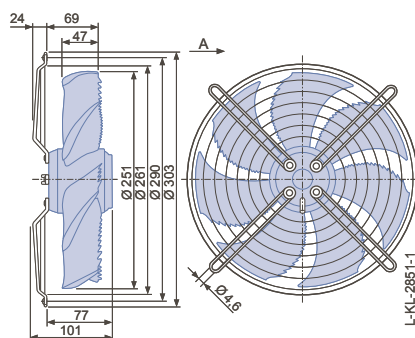
Dimensions [mm]

Airflow direction A

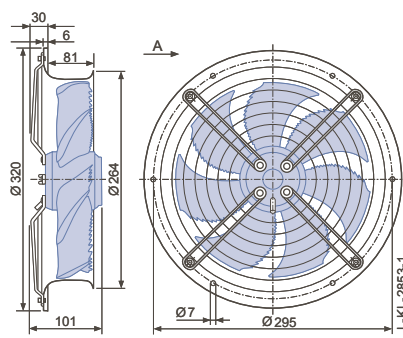
Design W - axial bolted, mounting for short bell mouth E



Design D - axial bolted, suspension for full bell mouth Q and L



Design L - round, full bell mouth



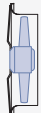

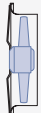



Performance data




Type	Characteristic curve	Voltage	Operating point	Current	Motor input power	Speed	Suction side sound power level
		U [V]		I [A]	P ₁ [W]	n [min ⁻¹]	
FN025-2E_WA_7	I	230	①	0.58	140	1900	
		230*	②	0.54*	120*	2160*	73
		230	③	0.48	110	2410	71
	II	170	④	0.48	85	1370	
		170	⑤	0.46	80	1630	66
		170	⑥	0.44	75	1970	66
	III	135	⑦	0.40	55	1040	
		135	⑧	0.39	55	1240	59
		135	⑨	0.38	50	1550	61
	IV	110	⑩	0.33	36	830	
		110	⑪	0.33	36	980	53
		110	⑫	0.32	36	1200	55

*rated data

Fan ordering information

Airflow direction A			Airflow direction V			
Design	W	D	L	K	H	I
						
Type	FN025-2EW.WA.A7	FN025-2ED.WA.A7	FN025-2EL.WA.A7	FN025-2EK.WA.V7	FN025-2EH.WA.V7	FN025-2EI.WA.V7
Article no.	162556	161633	161634	161631	161630	162557
Weight [kg]	2.50	3.50	2.70	3.40	2.70	2.50

Control technology

<p>Frequency inverter Fcontrol 1~</p>  <p>Page 552</p>	<p>Motor protection units 1~</p>  <p>Page 596</p>	<p>Transformer-based controllers 1~</p>  <p>Page 587</p>	<p>Electronic voltage controllers 1~</p>  <p>Page 562</p>
---	--	---	---

Airflow direction V

Design K - axial bolted, mounted for short bell mouth E

Design H - pipe sockets with a flange

Design I - axial bolted, mounting for bell mouth flange for pipe socket H or full bell mouth Q or L

