

Ersatzteil-
liste

Spare Parts
List

Liste des pièces
détachées

Halbhermetische
Verflüssigungssätze

Semi-hermetic
Condensing Unit

Groupes de condensation
hermétiques-accessibles

LH32/2KC-05.2

bis / to / à

LH135/S6G-25.2

U23/2HL-1.2

bis / to / à

L862/6H-25.2

LD033/2KC-05.2

bis / to / à

LD074/4FC-3.2

K072H/2HC-1.2

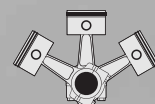
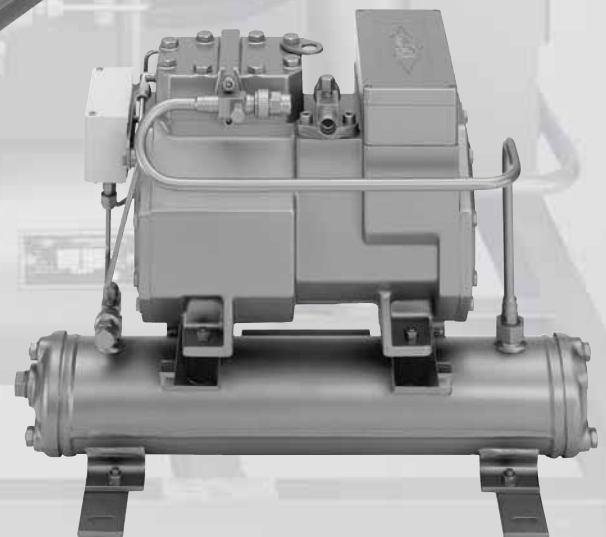
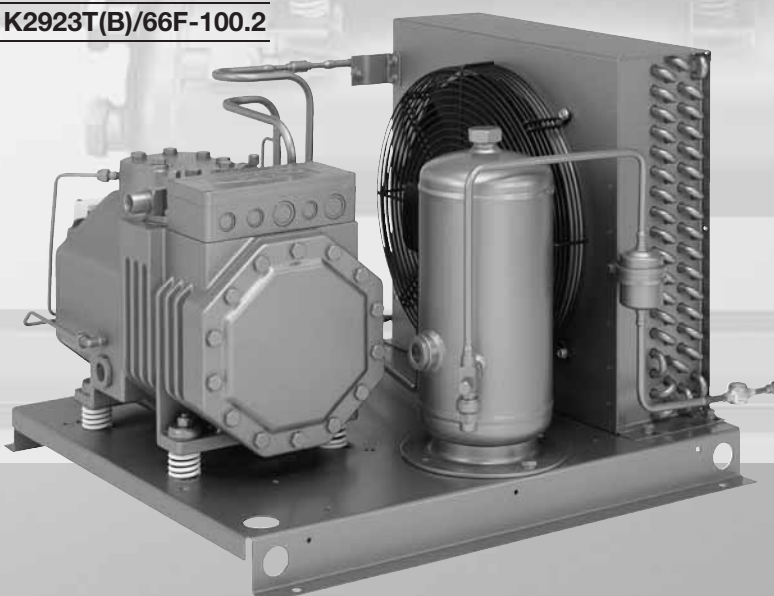
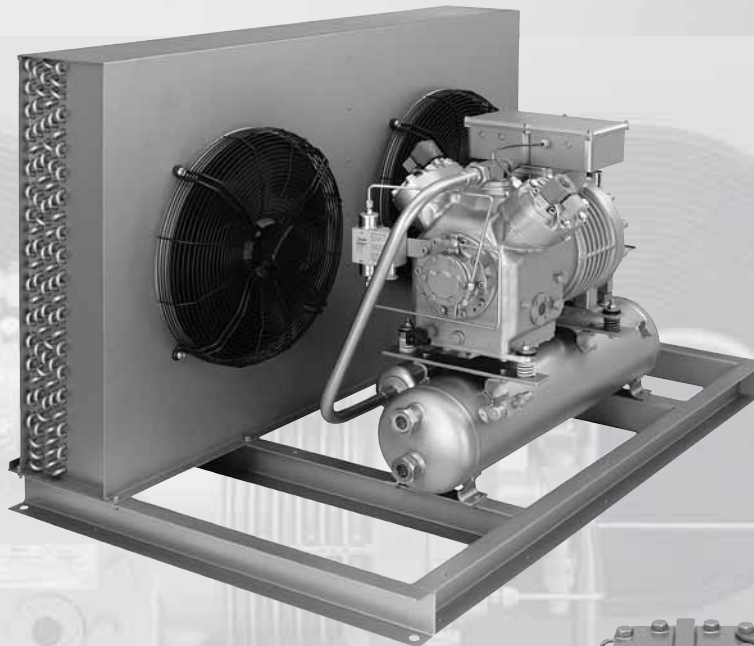
bis / to / à

K2922T/66F-100.2

K073H(B)/2KC-05.2

bis / to / à

K2923T(B)/66F-100.2





Wichtige Hinweise für den Benutzer

Eine ordnungsgemäße Bearbeitung Ihres Ersatzteilauftrages kann nur bei vollständigen Angaben erfolgen.

Bestellbeispiel:

Stück Quantity Quantité	Benennung Description Désignation	Typ Type Type	Art.-Nr. Ref. nr. Réf. no.	Fabrikationsnummer Serial number No. de fabrication
1	Rahmen Frame Châssis	LH 114 / 4V-10.2	326 027-01	6 541 0001

Important recommendations for the user

An order can only be executed exactly if a full designation is given.

Example for ordering:

Recommandation importante pour le client

L'exécution conforme d'une commande de pièces détachées ne peut être faite qu'avec l'indication complète des coordonnées.

Exemple de commande:

Sind bei einem Teil Änderungsstufen vermerkt, muß neben der Art.-Nummer auch die Fabrikationsnummer oder die Änderungsstufe angegeben werden. Werden keine Angaben gemacht, wird die neueste Teileausführung geliefert.

Typen, die älter als 10 Jahre sind, werden in dieser Liste nicht mehr aufgeführt.

In cases where stages of modification are indicated, please give the compressor serial number as well as the ref. number, without this latest design will be supplied.

Types older than 10 years are not entered any more in this list.

S'il s'agit d'une pièce ayant subie des modifications, veuillez indiquer en dehors du numéro de référence de la pièce le numéro de fabrication du compresseur à réparer. Sans ces coordonnées il vous sera livré d'office la pièce la plus récente.

Les types qui sont plus âgés que 10 ans ne figurent plus dans la liste.

	Legende	Legend	Légende
(123 456-78)	Artikel-Nr. in Klammern: nicht mehr lieferbar	Ref. no. in brackets: no more available	Réf. no. entre parenthèses: non plus livrable
(123 456-78)↓	nicht mehr lieferbar, aber austauschbar durch nächste Änderungsstufe	no more available, but interchangeable by next modification step	non plus livrable, mais interchangeable par le prochain no. de modification
[incl. 17,23]	enthält Pos. 17 und 23	containing item 17 and 23	inclus no. 17 et 23
→ 17,23	bereits enthalten in Pos. 17 und 23	already contained in item 17 and 23	déjà contenu dans no. 17 et 23
(23)	Pos.-Nr. in Klammern: nicht in der Zeichnung dargestellt	Item no. in brackets: not shown in the exploded view	pos. no. in brackets: ne sont pas indiquées sur l'éclaté
▼	Fortsetzung der Pos. nächste Seite	Item continued next page	No. continué la page suivante

Die Tabelle zeigt die in dieser Ersatzteilliste enthaltenen Typen und die verwendeten Abkürzungen:

The table shows the types and the abbreviations used in the spare part list:

Le tableau indique les types et les abréviations utilisés dans cette liste de pièces détachées:

LH32/.. LH33/..	LH32/2KC-05.2 LH32/2JC-07.2 LH33/2KC-05.2 LH33/2JC-07.2 LH33/2HC-1.2 LH33/2HC-2.2 LH33/2GC-2.2
LH44/.. LH53/..	LH(Q)44/2HC-1.2 LH44/2HC-2.2 LH(Q)44/2GC-2.2 LH44/2FC-2.2 LH44/2FC-3.2 LH44/2EC-2.2 LH53/2GC-2.2 LHQ53/2FC-2.2 LH53/2DC-2.2
LH64/.. LH84/.. LH104/..	LH64/2FC-2.2 LH(Q)64/2EC-2.2 LH64/2EC-3.2 LH(Q)64/2DC-2.2 LH64/2DC-3.2 LH64/2CC-3.2 LH64/4FC-3.2 LH64/4EC-4.2 LH(Q)84/2CC-3.2 LH84/2CC-4.2 LH(Q)84/4FC-3.2 LH84/4FC-5.2 LHQ84/4EC-4.2 LH84/4EC-6.2 LH84/4DC-5.2 LH84/4CC-6.2 LH104/2DC-3.2 LH104/2CC-4.2 LH104/4EC-4.2 LH104/4EC-6.2 LHQ104/4DC-5.2 LH104/4DC-7.2 LHQ104/4CC-6.2 LH104/4Z-8.2 LH104/4T-8.2 LH104/4TCS-8.2 LH104/S4T-5.2 LH104/S4N-8.2

LH114/.. LH124/..	LH114/4FC-5.2 LH114/4DC-5.2 LH114/4DC-7.2 LH114/4CC-9.2 LH114/4Z-5.2 LH114/4Z-8.2 LH114/4V-10.2 LH114/4T-12.2 LHQ114/4TCS-8.2 LH114/4TCS-12.2 LH114/4P-10.2 LH114/4PCS-10.2 LH114/44FC-6.2 LH114/44FC-10.2 LH114/44EC-8.2 LH124/4CC-6.2 LH124/4CC-9.2 LH124/4V-6.2 LH124/4V-10.2 LH124/4T-8.2 LH124/4TCS-8.2 LH124/4T-12.2 LH124/4TCS-12.2 LHQ124/4PCS-10.2 LH124/4N-12.2 LH124/4NCS-12.2 LH124/44FC-6.2 LH124/44FC-10.2 LH124/44EC-8.2 LH124/44EC-12.2 LH124/44DC-18.2 LH124/S4G-12.2
LH135/..	LH135/4P-10.2 LH135/4PCS-10.2 LH135/4P-15.2 LH135/4PCS-15.2 LH135/4N-12.2 LH(Q)135/4NCS-12.2 LH135/4N-20.2 LH135/4NCS-20.2 LH135/44EC-12.2 LH135/44DC-10.2 LH135/44DC-14.2 LH135/44CC-12.2 LH135/44CC-18.2 LH(Q)135/4J-13.2 LH135/4J-22.2 LH135/4H-15.2 LH135/4H-25.2 LH135/4G-20.2 LH135/6J-22.2 LH135/6H-25.2 LH135/S6J-16.2 LH135/S6H-20.2 LH135/S6G-25.2

U23/.. U24/.. U25/..	U23/2HL-1.2 U24/2GL-2.2 U25/2FL-2.2 U25/2EL-2.2 U25/2DL-2.2
U34/.. U35/..	U34/2DL-2.2 U35/2EL-3.2 U35/2DL-3.2 U35/2U-3.2 U35/2Q-4.2
L443/..	L443/2U-5.2 L443/2Q-4.2 L443/2N-5.2 L443/4V-6.2
L543/..	L543/2Q-6.2 L543/4Z-8.2 L543/4V-6.2 L543/4T-8.2 L543/4P-10.2
L652/..	L652/4V-10.2 L652/4T-12.2 L652/4P-10.2 L652/4N-12.2
L743/..	L743/4N-12.2 L743/4J-13.2 L743/4H-15.2
L862/..	L862/4P-15.2 L862/4N-20.2 L862/4J-13.2 L862/4J-22.2 L862/4H-15.2 L862/4G-20.2 L862/6J-22.2 L862/6H-25.2

LD033/.. LD044/.. LD053/.. LD054/.. LD064/.. LD074/..	LD033/2KC-05.2 LD033/2JC-07.2 LD044/2HC-1.2 LD053/2JC-07.2 LD053/2GC-2.2 LD054/2HC-2.2 LD054/2GC-2.2 LD054/2FC-2.2 LD054/2EC-2.2 LD064/2FC-3.2 LD064/2DC-2.2 LD074/2EC-3.2 LD074/2CC-3.2 LD074/4FC-3.2
--	---



Die Tabelle zeigt die in dieser Ersatzteilliste enthaltenen Typen und die verwendeten Abkürzungen:

The table shows the types and the abbreviations used in the spare part list:

Le tableau indique les types et les abréviations utilisés dans cette liste de pièces détachées:

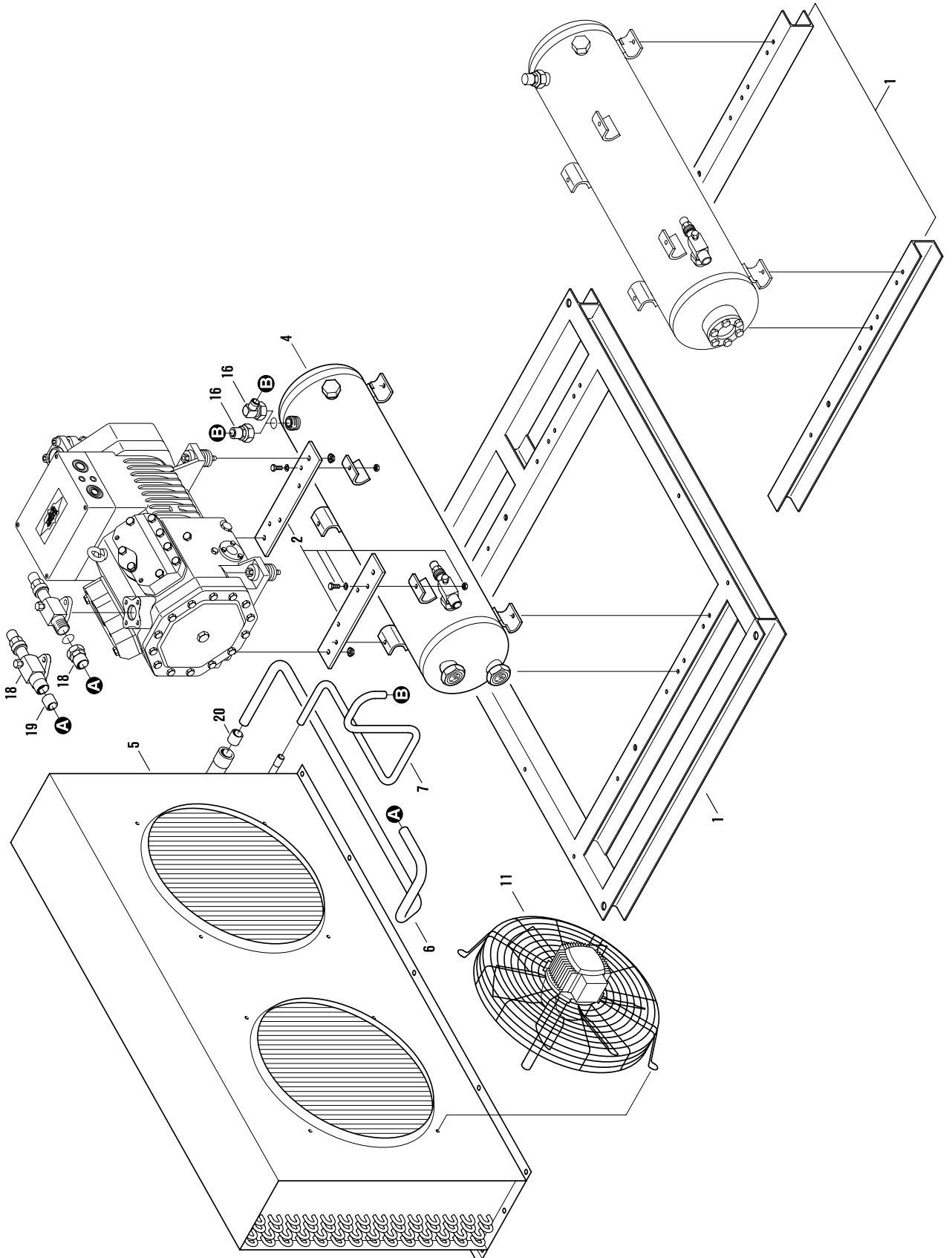
K072H/..	K072H/2HC-1.2 K072H/2GC-2.2 K072H/2FC-2.2 K072H/2HL-1.2 K072H/2GL-2.2 K072H/2FL-2.2
K122H/..	K122H/2EL-2.2 K122H/2EL-3.2 K122H/2DL-2.2 K122H/2DL-3.2
K202H/..	K202H/2U-3.2 K202H/2U-5.2 K202H/2Q-4.2 K202H/2Q-6.2 K202H/2N-5.2 K202H/4V-6.2
K282H/..	K282H/4Z-8.2 K282H/4T-8.2
K372H/..	K372H/4V-10.2 K372H/4T-12.2 K372H/4P-10.2 K372H/4N-12.2 K372H/S4T-5.2 K372H/S4N-8.2
K572H/..	K572H/4P-15.2 K572H/4N-20.2 K572H/4J-13.2 K572H/4J-22.2 K572H/4H-15.2 K572H/4G-20.2 K572H/6J-22.2 K572H/S4G-12.2 K572H/S6J-16.2 K572H/S6H-20.2
K812H/..	K812H/4H-25.2 K812H/4G-30.2 K812H/6J-33.2 K812H/6H-25.2 K812H/6G-30.2 K812H/S6G-25.2 K812H/S6F-30.2
K1052H/..	K1052H/6H-35.2 K1052H/6F-40.2
K1352T/..	K1352T/6G-40.2 K1352T/6F-50.2 K1352T/44H-30.2 K1352T/44H-50.2 K1352T/44G-40.2 K1352T/66J-44.2 K1352T/S66J-32.2 K1352T/S66H-40.2 K1352T/S66G-50.2 K1352T/S66F-60.2

K1972T/..	K1972T/44G-60.2 K1972T/66J-66.2 K1972T/66H-50.2 K1972T/66H-70.2 K1972T/66G-60.2 K1972T/66F-80.2
K2922T/..	K2922T/66G-80.2 K2922T/66F-100.2

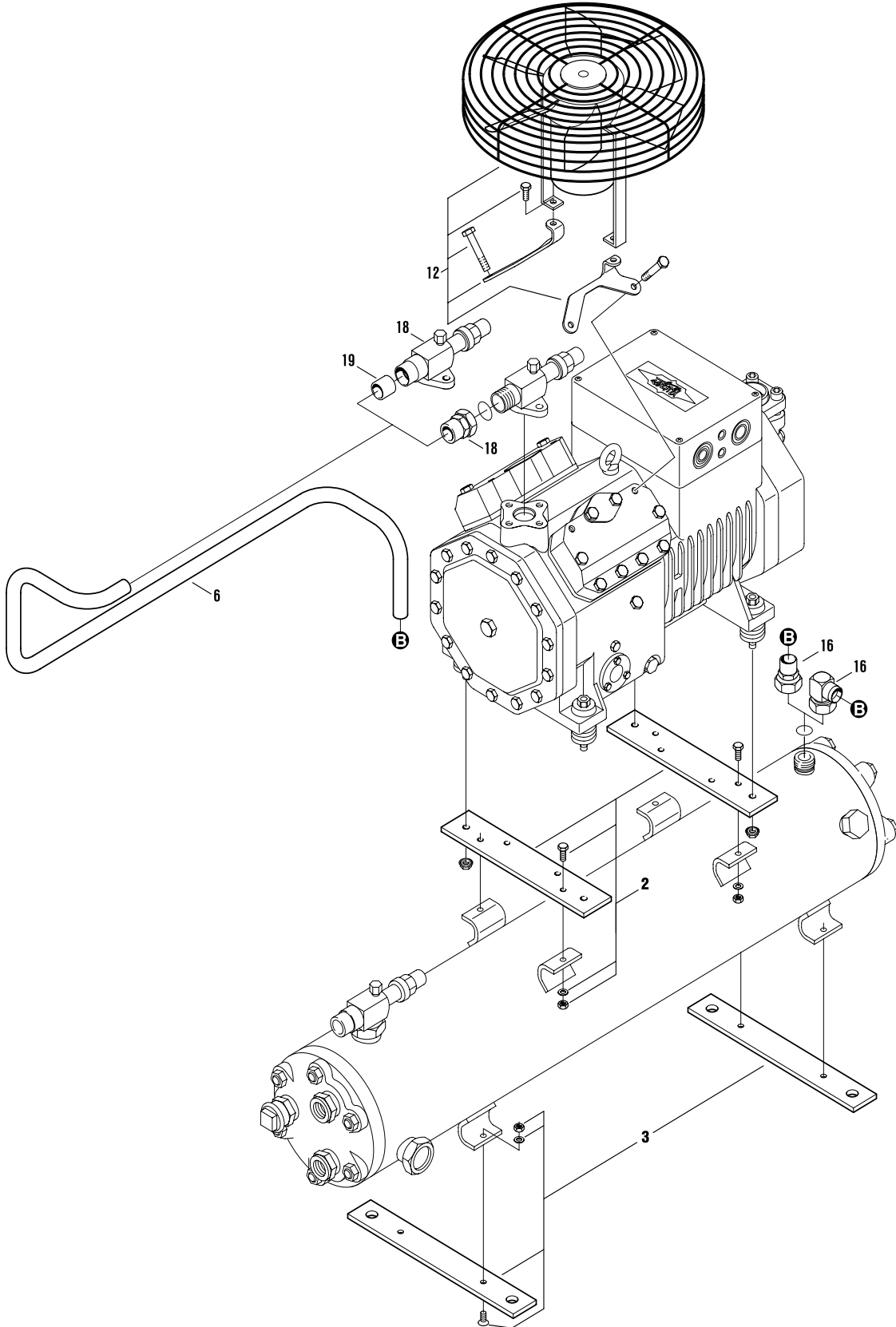
K073H(B)/..	K073H(B)/2KC-05.2 K073H(B)/2JC-07.2 K073H(B)/2HC-1.2 K073H(B)/2HC-2.2 K073H(B)/2GC-2.2 K073H(B)/2FC-2.2
K123H(B)/..	K123H(B)/2FC-3.2 K123H(B)/2EC-2.2 K123H(B)/2EC-3.2 K123H(B)/2DC-2.2 K123H(B)/2DC-3.2 K123H(B)/2CC-3.2
K203H(B)/..	K203H(B)/2CC-4.2 K203H(B)/4FC-3.2 K203H(B)/4FC-5.2 K203H(B)/4EC-4.2 K203H(B)/4EC-6.2 K203H(B)/4DC-5.2 K203H(B)/4CC-6.2 K203H(B)/4V-6.2
K283H(B)/..	K283H(B)/4DC-7.2 K283H(B)/4Z-8.2 K283H(B)/4T-8.2 K283H(B)/4TCS-8.2
K373H(B)/..	K373H(B)/4CC-9.2 K373H(B)/4V-10.2 K373H(B)/4T-12.2 K373H(B)/4TCS-12.2 K373H(B)/4P-10.2 K373H(B)/4PCS-10.2 K373H(B)/4N-12.2 K373H(B)/4NCS-12.2 K373H(B)/S4T-5.2 K373H(B)/S4N-8.2

K573H(B)/..	K573H(B)/4P-15.2 K573H(B)/4PCS-15.2 K573H(B)/4N-20.2 K573H(B)/4NCS-20.2 K573H(B)/4J-13.2 K573H(B)/4J-22.2 K573H(B)/4H-15.2 K573H(B)/4G-20.2 K573H(B)/6J-22.2 K573H(B)/S4G-12.2 K573H(B)/S6J-16.2 K573H(B)/S6H-20.2
K813H(B)/..	K813H(B)/4H-25.2 K813H(B)/4G-30.2 K813H(B)/6J-33.2 K813H(B)/6H-25.2 K813H(B)/6G-30.2 K813H(B)/S6G-25.2 K813H(B)/S6F-30.2
K1053H(B)/..	K1053H(B)/6H-35.2 K1053H(B)/6F-40.2
K1353T(B)/..	K1353T(B)/6G-40.2 K1353T(B)/6F-50.2 K1353T(B)/44H-30.2 K1353T(B)/44H-50.2 K1353T(B)/44G-40.2 K1353T(B)/66J-44.2 K1353T(B)/S66J-32.2 K1353T(B)/S66H-40.2 K1353T(B)/S66G-50.2 K1353T(B)/S66F-60.2
K1973T(B)/..	K1973T(B)/44G-40.2 K1973T(B)/66J-66.2 K1973T(B)/66H-50.2 K1973T(B)/66H-70.2 K1973T(B)/66G-60.2 K1973T(B)/66F-80.2
K2923T(B)/..	K2923T(B)/66G-80.2 K2923T(B)/66F-100.2

LH32/2KC-05.2 .. LH135/S6G-25.2
 U23/2HL-1.2 .. L862/6H-25.2



K072H/2HC-1.2 .. K2922T/66F-100.2
K073H(B)/2KC-05.2 .. K2923T(B)/66F-100-2



Pos.	Type	Stück	Änderung	ab Baujahr Mon./Jahr/Nr.	Art. Nr.	Benennung	
Item	Type	Qty.	Modifi- cation	from model month/year/no.	Ref. nr.	Description	
No.	Type	Pièce	Modifi- cation	à partir du modèle mois/année/no.	Réf. no.	Désignation	
1	LH32/2KC-05.2 LH32/2JC-07.2 LH33/2KC-05.2 LH33/2JC-07.2 LH33/2HC-1.2 LH33/2HC-2.2 LH33/2GC-2.2 LH(Q)44/2HC-1.2 LH44/2HC-2.2 LH(Q)44/2GC-2.2 LH44/2FC-2.2 LH44/2FC-3.2	1			324 924-05	Grundplatte Frame Châssis	605 x 650 x 60
	LH44/2EC-2.2	1			324 924-01		700 x 650 x 60
	LH53/2GC-2.2 LHQ53/2FC-2.2 LH53/2DC-2.2 LH64/2FC-2.2 LH(Q)64/2EC-2.2 LH64/2EC-3.2 LH(Q)64/2DC-2.2 LH64/2DC-3.2 LH64/2CC-3.2 LH64/4FC-3.2 LH64/4EC-4.2 LH(Q)84/2CC-3.2 LH84/2CC-4.2 LH(Q)84/4FC-3.2 LH84/4FC-5.2 LHQ84/4EC-4.2 LH84/4EC-6.2 LH84/4DC-5.2 LH84/4CC-6.2	1			324 924-06		670 x 1000 x 80
	LH104/2DC-3.2 LH104/2CC-4.2 LH104/4EC-4.2 LH104/4EC-6.2 LHQ104/4DC-5.2 LH104/4DC-7.2 LHQ104/4CC-6.2 LH104/4Z-8.2 LH104/4T-8.2 LH104/4TCS-8.2 LH104/S4T-5.2 LH104/S4N-8.2	1			326 026-01	Rahmen Frame Châssis	1100 x 920 x 65
	LH114/4FC-5.2 LH114/4DC-5.2 LH114/4DC-7.2 LH114/4CC-9.2 LH114/4Z-5.2 LH114/4Z-8.2 LH114/4V-10.2 LH114/4T-12.2 LHQ114/4TCS-8.2 LH114/4TCS-12.2 LH114/4P-10.2 LH114/4PCS-10.2 LH114/44FC-6.2 LH114/44FC-10.2 LH114/44EC-8.2	1			326 027-01		1320 x 920 x 65

Pos.	Typ	Stück	Änderung	ab Baujahr Mon./Jahr/Nr.	Art. Nr.	Benennung	
Item	Type	Qty.	Modification	from model month/year/no.	Ref. nr.	Description	
No.	Type	Pièce	Modification	à partir du modèle mois/année/no.	Réf. no.	Désignation	
	LD033/2KC-05.2 LD033/2JC-07.2 LD044/2HC-1.2	1			326 032-01	Rahmen Frame Châssis	830 x 580
	LD053/2JC-07.2 LD053/2GC-2.2 LD054/2HC-2.2 LD054/2GC-2.2 LD054/2FC-2.2 LD054/2EC-2.2	1			326 033-01		1030 x 660
	LD064/2FC-3.2 LD064/2DC-2.2				326 034-01		1130 x 700
	LD074/2EC-3.2 LD074/2CC-3.2 LD074/4FC-3.2				326 035-01		
2	LH32/2KC-05.2 LH32/2JC-07.2 LH33/2KC-05.2 LH33/2JC-07.2 LH33/2HC-1.2 LH33/2HC-2.2 LH33/2GC-2.2 LH(Q)44/2HC-1.2 LH44/2HC-2.2 LH(Q)44/2GC-2.2 LH44/2FC-2.2 LH44/2FC-3.2 LH44/2EC-2.2 LH53/2GC-2.2 LHQ53/2FC-2.2 LH53/2DC-2.2 LH64/2FC-2.2 LH(Q)64/2EC-2.2 LH64/2EC-3.2 LH(Q)64/2DC-2.2 LH64/2DC-3.2 LH64/2CC-3.2 LH64/4FC-3.2 LH64/4EC-4.2 LH(Q)84/2CC-3.2 LH84/2CC-4.2 LH(Q)84/4FC-3.2 LH84/4FC-5.2 LHQ84/4EC-4.2 LH84/4EC-6.2 LH84/4DC-5.2 LH84/4CC-6.2				—	Befestigungsschienenatz oben kompl. mit Schrauben Fixing rails complete above with screws Rails de fixation complet au dessus, avec vis	—
	LH104/2DC-3.2 LH104/2CC-4.2	1			327 301-21		90 x 8 x 240
	LH104/4EC-4.2 LH104/4EC-6.2 LHQ104/4DC-5.2 LH104/4DC-7.2 LHQ104/4CC-6.2	1			327 301-22		80 x 8 x 240
	LH104/4TCS-8.2	1			327 301-24		60 x 8 x 310
	LH104/4Z-8.2 LH104/4T-8.2 LH104/S4T-5.2 LH104/S4N-8.2	1			327 301-09		55 x 8 x 320
	LH114/4FC-5.2 LH114/4DC-5.2 LH114/4DC-7.2 LH114/4CC-9.2	1			327 301-22		80 x 8 x 240
	LHQ114/4TCS-8.2 LH114/4TCS-12.2 LH114/4PCS-10.2	1			327 301-24		60 x 8 x 310



Pos.	Typ	Stück	Ände- rung	ab Baujahr Mon./Jahr/Nr.	Art. Nr.	Benennung	
Item	Type	Qty.	Modifi- cation	from model month/year/no.	Ref. nr.	Description	
No.	Type	Pièce	Modifi- cation	à partir du modèle mois/année/no.	Réf. no.	Désignation	
	LH114/4Z-5.2 LH114/4Z-8.2 LH114/4V-10.2 LH114/4T-12.2 LH114/4P-10.2	1			327 301-09	Befestigungsschienensatz oben kompl. mit Schrauben Fixing rails complete above with screws Rails de fixation complet au dessus, avec vis	55 x 8 x 320
	LH114/44FC-6.2 LH114/44FC-10.2 LH114/44EC-8.2 LH124/44FC-6.2 LH124/44FC-10.2 LH124/44EC-8.2 LH124/44EC-12.2 LH124/44DC-10.2 LH135/44EC-12.2 LH135/44DC-10.2 LH135/44DC-14.2 LH135/44CC-12.2 LH135/44CC-18.2	1			327 301-23		80 x 8 x 240
	LHQ124/4PCS-10.2 LH124/4TCS-8.2 LH124/4TCS-12.2 LH124/4NCS-12.2 LH135/4PC-10.2 LH135/4PCS-15.2 LH(Q)135/4NCS-12.2 LH135/4NCS-20.2	1			327 301-24		60 x 8 x 310
	LH124/4CC-6.2 LH124/4CC-9.2	1			327 301-22		80 x 8 x 240
	LH124/4V-6.2 LH124/4V-10.2 LH124/4T-8.2 LH124/4T-12.2 LH124/4N-12.2 LH124/S4G-12.2 LH135/4P-10.2 LH135/4P-15.2 LH135/4N-12.2 LH135/4N-20.2 LH(Q)135/4J-13.2 LH135/4J-22.2 LH135/4H-15.2 LH135/4H-25.2 LH135/4G-20.2 LH135/6J-22.2 LH135/6H-25.2 LH135/S6J-16.2 LH135/S6H-20.2 LH135/S6G-25.2	1			327 301-10		55 x 8 x 360
	U23/2HL-1.2 U24/2GL-2.2 U25/2FL-2.2 U25/2EL-2.2 U25/2DL-2.2 U35/2EL-3.2 U34/2DL-2.2 U35/2DL-3.2 U35/2U-3.2 U35/2Q-4.2				—		—



Pos.	Type	Stück	Änderung	ab Baujahr Mon./Jahr/Nr.	Art. Nr.	Benennung	
Item	Type	Qty.	Modifi- cation	from model month/year/no.	Ref. nr.	Description	
No.	Type	Pièce	Modifi- cation	à partir du modèle mois/année/no.	Réf. no.	Désignation	
	L443/2U-5.2 L443/2Q-4.2 L443/2N-5.2 L443/4V-6.2 L543/2Q-6.2 L543/2Z-8.2 L543/4V-6.2 L543/4T-8.2 L543/4P-10.2 L652/4V-10.2 L652/4T-12.2 L652/4P-10.2 L652/4N-12.2	1			327 301-09	Befestigungsschienensatz oben kompl. mit Schrauben Fixing rails complete above with screws Rails de fixation complet au dessus, avec vis	55 x 8 x 320
	L743/4N-12.2 L743/4J-13.2 L743/4H-15.2 L862/4P-15.2 L862/4N-20.2 L862/4J-13.2 L862/4J-22.2 L862/4H-15.2 L862/4G-20.2 L862/6J-22.2 L862/6H-25.2	1			327 301-10		55 x 8 x 360
	K072H/2HC-1.2 K072H/2GC-2.2 K072H/2FC-2.2	1			327 301-12		45 x 6 x 200
	K072H/2HL-1.2 K072H/2GL-2.2 K072H/2FL-2.2	1			327 301-01		45 x 6 x 250
	K122H/2EL-2.2 K122H/2EL-3.2 K122H/2DL-2.2 K122H/2DL-3.2 K202H/2U-3.2 K202H/2U-5.2 K202H/2Q-4.2 K202H/2Q-6.2 K202H/2N-5.2 K202H/4V-6.2 K282H/4Z-8.2 K282H/4T-8.2 K372H/4V-10.2 K372H/4T-12.2 K372H/4P-10.2 K372H/4N-12.2 K372H/S4T-5.2 K372H/S4N-8.2	1			327 301-09		55 x 8 x 320
	K572H/4P-15.2 K572H/4N-20.2 K572H/4J-13.2 K572H/4J-22.2 K572H/4H-15.2 K572H/4G-20.2 K572H/6J-22.2 K572H/S4G-12.2 K572H/S6J-16.2 K572H/S6H-20.2 K812H/4H-25.2 K812H/4G-30.2 K812H/6J-33.2 K812H/6H-25.2 K812H/6G-30.2 K812H/S6G-25.2 K812H/S6F-30.2 K1052H/6H-35.2 K1052H/6F-40.2 K1352T/6G-40.2 K1352T/6F-50.2	1			327 301-10		55 x 8 x 360

Pos.	Typ	Stück	Ände- rung	ab Baujahr Mon./Jahr/Nr.	Art. Nr.	Benennung
Item	Type	Qty.	Modifi- cation	from model month/year/no.	Ref. nr.	Description
No.	Type	Pièce	Modifi- cation	à partir du modèle mois/année/no.	Réf. no.	Désignation
	K1352T/44H-30.2 K1352T/44H-50.2 K1352T/44G-40.2 K1352T/66J-44.2	2	1		(327 301-10) ↓	Befestigungsschienensatz 55 x 8 x 360 oben kompl. mit Schrauben Fixing rails complete above with screws Rails de fixation complet au dessus, avec vis
		1	2	ca. 1/99	326 055-02	Rahmen 1417 x 365 x 88 Frame Châssis
	K1352T/S66J-32.2 K1352T/S66H-40.2 K1352T/S66G-50.2 K1352T/S66F-60.2	2	1		(324 025-04) ↓	Befestigungsschienensatz U 90 x 65 x 8 x 360 oben kompl. mit Schrauben Fixing rails complete above with screws Rails de fixation complet au dessus, avec vis
		1	2	ca. 1/99	326 055-02	Rahmen 1417 x 365 x 88 Frame Châssis
	K1352T/S66J-32.2 K1352T/S66H-40.2 K1352T/S66G-50.2 K1352T/S66F-60.2 K1972T/44G-60.2 K1972T/66J-66.2 K1972T/66H-50.2 K1972T/66H-70.2 K1972T/66G-60.2 K1972T/66F-80.2 K2922T/66G-80.2 K2922T/66F-100.2	2	1		(324 025-04) ↓	Befestigungsschienensatz U 90 x 65 x 8 x 360 oben kompl. mit Schrauben Fixing rails complete above with screws Rails de fixation complet au dessus, avec vis
		1	2	ca. 1/99	326 055-02	Rahmen 1417 x 365 x 88 Frame Châssis
	K073H(B)/2KC-05.2 K073H(B)/2JC-07.2 K073H(B)/2HC-1.2 K073H(B)/2HC-2.2 K073H(B)/2GC-2.2 K073H(B)/2FC-2.2	1			327 301-12	Befestigungsschienensatz 45 x 6 x 200 oben kompl. mit Schrauben Fixing rails complete above with screws Rails de fixation complet au dessus, avec vis
	K123H(B)/2FC-3.2	1			327 301-20	70 x 8 x 200
	K123H(B)/2EC-2.2 K123H(B)/2EC-3.2 K123H(B)/2DC-2.2 K123H(B)/2DC-3.2 K123H(B)/2CC-3.2	1			327 301-21	90 x 8 x 240
	K203H(B)/2CC-4.2	1			327 301-21	90 x 8 x 240
	K203H(B)/4FC-3.2 K203H(B)/4FC-5.2 K203H(B)/4EC-4.2 K203H(B)/4EC-6.2 K203H(B)/4DC-5.2 K203H(B)/4CC-6.2	1			327 301-22	80 x 8 x 240
	K203H(B)/4V-6.2	1			327 301-09	55 x 8 x 320
	K283H(B)/4DC-7.2	1			327 301-22	80 x 8 x 240
	K283H(B)/4Z-8.2 K283H(B)/4T-8.2	1			327 301-09	55 x 8 x 320
	K283H(B)/4TCS-8.2	1			327 301-24	60 x 8 x 310
	K373H(B)/4CC-9.2	1			327 301-22	80 x 8 x 240
	K373H(B)/4TCS-12.2 K373H(B)/4PCS-10.2 K373H(B)/4NCS-12.2	1			327 301-24	60 x 8 x 310
	K373H(B)/4V-10.2 K373H(B)/4T-12.2 K373H(B)/4P-10.2 K373H(B)/4N-12.2 K373H(B)/S4T-5.2 K373H(B)/S4N-8.2	1			327 301-09	55 x 8 x 320

Pos.	Typ	Stück	Ände- rung	ab Baujahr Mon./Jahr/Nr.	Art. Nr.	Benennung	
Item	Type	Qty.	Modifi- cation	from model month/year/no.	Ref. nr.	Description	
No.	Type	Pièce	Modifi- cation	à partir du modèle mois/année/no.	Réf. no.	Désignation	
	K573H(B)/4PCS-15.2 K573H(B)/4NCS-20.2	1			327 301-24	Befestigungsschienensatz oben kompl. mit Schrauben	60 x 8 x 310
	K573H(B)/4P-15.2 K573H(B)/4N-20.2 K573H(B)/4J-13.2 K573H(B)/4J-22.2 K573H(B)/4H-15.2 K573H(B)/4G-20.2 K573H(B)/6J-22.2 K573H(B)/S4G-12.2 K573H(B)/S6J-16.2 K573H(B)/S6H-20.2	1			327 301-10	Fixing rails complete above with screws Rails de fixation complet au dessus, avec vis	55 x 8 x 360
	K813H(B)/4H-25.2 K813H(B)/4G-30.2 K813H(B)/6J-33.2 K813H(B)/6H-25.2 K813H(B)/6G-30.2 K813H(B)/S6G-25.2 K813H(B)/S6F-30.2	1			327 301-10		55 x 8 x 360
	K1053H(B)/6H-35.2 K1053H(B)/6F-40.2	1			327 301-10		55 x 8 x 360
	K1353T(B)/6G-40.2 K1353T(B)/6F-50.2	1			327 301-10		55 x 8 x 360
	K1353T(B)/44H-30.2 K1353T(B)/44H-50.2 K1353T(B)/44G-40.2 K1353T(B)/66J-44.2 K1353T(B)/S66J-32.2 K1353T(B)/S66H-40.2 K1353T(B)/S66G-50.2 K1353T(B)/S66F-60.2 K1973T(B)/44G-40.2 K1973T(B)/66J-66.2 K1973T(B)/66H-50.2 K1973T(B)/66H-70.2 K1973T(B)/66G-60.2 K1973T(B)/66F-80.2 K2923T(B)/66G-80.2 K2923T(B)/66F-100.2	1			326 057-01	Rahmen Frame Châssis	1417 x 365 x 88

Pos.	Typ	Stück	Ände- rung	ab Baujahr Mon./Jahr/Nr.	Art. Nr.	Benennung
Item	Type	Qty.	Modifi- cation	from model month/year/no.	Ref. nr.	Description
No.	Type	Pièce	Modifi- cation	à partir du modèle mois/année/no.	Réf. no.	Désignation
3	K072H/2HC-1.2 K072H/2GC-2.2 K072H/2FC-2.2 K072H/2HL-1.2 K072H/2GL-2.2 K072H/2FL-2.2	1			327 301-01	Befestigungsschienensatz 45 x 6 x 250 unten kompl. mit Schrauben Fixing rails complete below, with screws Rails de fixation complet en dessous, avec vis
	K122H/2EL-2.2 K122H/2EL-3.2 K122H/2DL-2.2 K122H/2DL-3.2 K202H/2U-3.2 K202H/2U-5.2 K202H/2Q-4.2 K202H/2Q-6.2 K202H/2N-5.2 K202H/4V-6.2 K282H/4Z-8.2 K282H/4T-8.2 K372H/4V-10.2 K372H/4T-12.2 K372H/4P-10.2 K372H/4N-12.2 K372H/S4T-5.2 K372H/S4N-8.2	1			327 301-04	50 x 8 x 320
	K572H/4P-15.2 K572H/4N-20.2 K572H/4J-13.2 K572H/4J-22.2 K572H/4H-15.2 K572H/4G-20.2 K572H/6J-22.2 K572H/S4G-12.2 K572H/S6J-16.2 K572H/S6H-20.2 K812H/4H-25.2 K812H/4G-30.2 K812H/6J-33.2 K812H/6H-25.2 K812H/6G-30.2 K812H/S6G-25.2 K812H/S6F-30.2	1			327 301-05	50 x 8 x 360
	K1052H/6H-35.2 K1052H/6F-40.2	1			327 301-06	130 x 8 x 360
	K1352T/6G-40.2 K1352T/6F-50.2 K1352T/44H-30.2 K1352T/44H-50.2 K1352T/44G-40.2 K1352T/66J-44.2 K1352T/S66J-32.2 K1352T/S66H-40.2 K1352T/S66G-50.2 K1352T/S66F-60.2	1			324 025-05	U 70 x 70 x 6 x 360
	K1972T/44G-60.2 K1972T/66J-66.2 K1972T/66H-50.2 K1972T/66H-70.2 K1972T/66G-60.2 K1972T/66F-80.2	1			324 025-02	U 70 x 140 x 6 x 360
	K2922T/66G-80.2 K2922T/66F-100.2	1			324 025-03	U 80 x 160 x 6 x 420
	K073H(B)/2KC-05.2 K073H(B)/2JC-07.2 K073H(B)/2HC-1.2 K073H(B)/2HC-2.2 K073H(B)/2GC-2.2 K073H(B)/2FC-2.2	1			327 301-01	45 x 6 x 250

Pos.	Typ	Stück	Ände- rung	ab Baujahr Mon./Jahr/Nr.	Art. Nr.	Benennung
Item	Type	Qty.	Modifi- cation	from model month/year/no.	Ref. nr.	Description
No.	Type	Pièce	Modifi- cation	à partir du modèle mois/année/no.	Réf. no.	Désignation
	K123H/2FC-3.2 K123H/2EC-2.2 K123H/2EC-3.2 K123H/2DC-2.2 K123H/2DC-3.2 K123H/2CC-3.2	1			327 301-04	Befestigungsschienensatz 50 x 8 x 320 unten kompl. mit Schrauben Fixing rails complete below, with screws Rails de fixation complet en dessous, avec vis
	K123HB/2FC-3.2 K123HB/2EC-2.2 K123HB/2EC-3.2 K123HB/2DC-2.2 K123HB/2DC-3.2 K123HB/2CC-3.2	1			324 025-07	U 65 x 50 x 5 x 320
	K203H/2CC-4.2 K203H/4FC-3.2 K203H/4FC-5.2 K203H/4EC-4.2 K203H/4EC-6.2 K203H/4DC-5.2 K203H/4CC-6.2 K203H/4V-6.2	1			327 301-04	50 x 8 x 320
	K203HB/2CC-4.2 K203HB/4FC-3.2 K203HB/4FC-5.2 K203HB/4EC-4.2 K203HB/4EC-6.2 K203HB/4DC-5.2 K203HB/4CC-6.2 K203HB/4V-6.2	1			324 025-07	U 65 x 50 x 5 x 320
	K283H/4DC-7.2 K283H/4Z-8.2 K283H/4T-8.2 K283H/4TCS-8.2	1			327 301-04	50 x 8 x 320
	K283HB/4DC-7.2 K283HB/4Z-8.2 K283HB/4T-8.2 K283HB/4TCS-8.2	1			324 025-07	U 65 x 50 x 5 x 320
	K373H/4CC-9.2 K373H/4V-10.2 K373H/4T-12.2 K373H/4TCS-12.2 K373H/4P-10.2 K373H/4PCS-10.2 K373H/4N-12.2 K373H/4NCS-12.2 K373H/S4T-5.2 K373H/S4N-8.2	1			327 301-04	50 x 8 x 320
	K373HB/4CC-9.2 K373HB/4V-10.2 K373HB/4T-12.2 K373HB/4TCS-12.2 K373HB/4P-10.2 K373HB/4PCS-10.2 K373HB/4N-12.2 K373HB/4NCS-12.2 K373HB/S4T-5.2 K373HB/S4N-8.2	1			324 025-07	U 65 x 50 x 5 x 320
	K573H/4P-15.2 K573H/4PCS-15.2 K573H/4N-20.2 K573H/4NCS-20.2 K573H/4J-13.2 K573H/4J-22.2 K573H/4H-15.2 K573H/4G-20.2 K573H/6J-22.2 K573H/S4G-12.2 K573H/S6J-16.2 K573H/S6H-20.2	1			327 301-05	50 x 8 x 360

Pos.	Typ	Stück	Ände- rung	ab Baujahr Mon./Jahr/Nr.	Art. Nr.	Benennung	
Item	Type	Qty.	Modifi- cation	from model month/year/no.	Ref. nr.	Description	
No.	Type	Pièce	Modifi- cation	à partir du modèle mois/année/no.	Réf. no.	Désignation	
	K573HB/4P-15.2 K573HB/4PCS-15.2 K573HB/4N-20.2 K573HB/4NCS-20.2 K573HB/4J-13.2 K573HB/4J-22.2 K573HB/4H-15.2 K573HB/4G-20.2 K573HB/6J-22.2 K573HB/S4G-12.2 K573HB/S6J-16.2 K573HB/S6H-20.2	1			324 025-05	Befestigungsschienensatz unten kompl. mit Schrauben Fixing rails complete below, with screws Rails de fixation complet en dessous, avec vis	U 70 x 70 x 6 x 360
	K813H/4H-25.2 K813H/4G-30.2 K813H/6J-33.2 K813H/6H-25.2 K813H/6G-30.2 K813H/S6G-25.2 K813H/S6F-30.2	1			327 301-05		50 x 8 x 360
	K813HB/4H-25.2 K813HB/4G-30.2 K813HB/6J-33.2 K813HB/6H-25.2 K813HB/6G-30.2 K813HB/S6G-25.2 K813HB/S6F-30.2	1			324 025-05		U 70 x 70 x 6 x 360
	K1053H/6H-35.2 K1053H/6F-40.2	1			327 301-06		130 x 8 x 360
	K1053HB/6H-35.2 K1053HB/6F-40.2	1			324 025-05		U 70 x 70 x 6 x 360
	K1353T(B)/6G-40.2 K1353T(B)/6F-50.2 K1353T(B)/44H-30.2 K1353T(B)/44H-50.2 K1353T(B)/44G-40.2 K1353T(B)/66J-44.2 K1353T(B)/S66J-32.2 K1353T(B)/S66H-40.2 K1353T(B)/S66G-50.2 K1353T(B)/S66F-60.2	1			324 025-05		U 70 x 70 x 6 x 360
	K1973T(B)/44G-40.2 K1973T(B)/66J-66.2 K1973T(B)/66H-50.2 K1973T(B)/66H-70.2 K1973T(B)/66G-60.2 K1973T(B)/66F-80.2	1			324 025-02		U 70 x 140 x 6 x 360
	K2923T(B)/66G-80.2 K2923T(B)/66F-100.2	1			324 025-03		U 80 x 160 x 6 x 240
4	LH32/2KC-05.2 LH32/2JC-07.2 LH33/2KC-05.2 LH33/2JC-07.2 LH33/2HC-1.2 LH33/2HC-2.2 LH33/2GC-2.2	1 1	1 2		(FS35) ↓ FS36*)	Flüssigkeitssammler Liquid receiver Réservoir de liquide	
	LH(Q)44/2HC-1.2 LH44/2HC-2.2 LH(Q)44/2GC-2.2 LH44/2FC-2.2 LH44/2FC-3.2 LH44/2EC-2.2 LH53/2GC-2.2 LHQ53/2FC-2.2 LH53/2DC-2.2	1 1	1 2		(FS55) ↓ FS56*)		

Pos.	Typ	Stück	Ände- rung	ab Baujahr Mon./Jahr/Nr.	Art. Nr.	Benennung
Item	Type	Qty.	Modifi- cation	from model month/year/no.	Ref. nr.	Description
No.	Type	Pièce	Modifi- cation	à partir du modèle mois/année/no.	Réf. no.	Désignation
	LH64/2FC-2.2 LH(Q)64/2EC-2.2 LH64/2EC-3.2 LH(Q)64/2DC-2.2 LH64/2DC-3.2 LH64/2CC-3.2 LH64/4FC-3.2 LH64/4EC-4.2	1 1	1 2		(FS75) ↓ FS76*)	Flüssigkeitssammler Liquid receiver Réservoir de liquide *) Siehe Maschinenpreisliste see machine price list voir prix-tarif machines
	LH(Q)84/2CC-3.2 LH84/2CC-4.2 LH(Q)84/4FC-3.2 LH84/4FC-5.2 LHQ84/4EC-4.2 LH84/4EC-6.2 LH84/4DC-5.2 LH84/4CC-6.2	1 1	1 2		(FS125) ↓ FS126*)	
	LH104/2DC-3.2 LH104/2CC-4.2 LH104/4EC-4.2 LH104/4EC-6.2 LHQ104/4DC-5.2 LH104/4DC-7.2 LHQ104/4CC-6.2 LH104/4Z-8.2 LH104/4T-8.2 LH104/4TCS-8.2 LH104/S4T-5.2 LH104/S4N-8.2 LH114/4FC-5.2 LH114/4DC-5.2 LH114/4DC-7.2 LH114/4CC-9.2 LH114/4Z-5.2 LH114/4Z-8.2 LH114/4V-10.2 LH114/4T-12.2 LHQ114/4TCS-8.2 LH114/4TCS-12.2 LH114/4P-10.2 LH114/4PCS-10.2	1			F 152H*)	
	LH114/44FC-6.2 LH114/44FC-10.2 LH114/44EC-8.2	1			F 192T*)	
	LH124/4V-6.2 LH124/4V-10.2 LH124/4T-8.2 LH124/4T-12.2 LH124/4TCS-8.2 LH124/4TCS-8.2 LHQ124/4PCS-10.2 LH124/4NCS-12.2 LH124/4CC-6.2 LH124/4CC-9.2 LH124/4N-12.2 LH124/S4G-12.2 LH135/4P-10.2 LH135/4P-15.2 LH135/4N-12.2 LH135/4N-20.2 LH(Q)135/4J-13.2 LH135/4J-22.2 LH135/4H-15.2 LH135/4H-25.2 LH135/4G-20.2 LH135/6J-22.2 LH135/6H-25.2 LH135/S6J-16.2 LH135/S6H-20.2 LH135/S6G-25.2	1			F 302H*)	



Pos.	Typ	Stück	Ände- rung	ab Baujahr Mon./Jahr/Nr.	Art. Nr.	Benennung	
Item	Type	Qty.	Modifi- cation	from model month/year/no.	Ref. nr.	Description	
No.	Type	Pièce	Modifi- cation	à partir du modèle mois/année/no.	Réf. no.	Désignation	
	LH135/44EC-12.2 LH135/44DC-10.2 LH135/44DC-14.2 LH135/44CC-12.2 LH135/44CC-18.2				F 392T*)	Flüssigkeitssammler Liquid receiver Réservoir de liquide	
	LD033/2KC-05.2 LD033/2JC-07.2 LD044/2HC-1.2 LD053/2JC-07.2 LD053/2GC-2.2				FS48*)	*) Siehe Maschinenpreisliste see machine price list voir prix-tarif machines	
	LD054/2HC-2.2 LD054/2GC-2.2 LD054/2FC-2.2 LD054/2EC-2.2				FS68*)		
	LD064/2FC-3.2 LD064/2DC-2.2				FS78*)		
	LD074/2EC-3.2 LD074/2CC-3.2 LD074/4FC-3.2				FS128*)		
	U23/2HL-1.2 U24/2GL-2.2 U25/2FL-2.2 U25/2EL-2.2 U25/2DL-2.2	1			(SB30)		
	U35/2EL-3.2 U34/2DL-2.2 U35/2DL-3.2 U35/2U-3.2 U35/2Q-4.2	1			(SB60)		
	L443/2U-5.2 L443/2Q-4.2 L443/2N-5.2 L443/4V-6.2 L543/2Q-6.2 L543/2Z-8.2 L543/4V-6.2 L543/4T-8.2 L543/4P-10.2 L652/4V-10.2 L652/4T-12.2 L652/4P-10.2 L652/4N-12.2	1 1	1 2		(F150H) ↓ F152H*)		
	L743/4N-12.2 L743/4J-13.2 L743/4H-15.2 L862/4P-15.2 L862/4N-20.2 L862/4J-13.2 L862/4J-22.2 L862/4H-15.2 L862/4G-20.2 L862/6J-22.2 L862/6H-25.2	1 1	1 2		(F300H) ↓ F302H*)		
5	LH32/2KC-05.2 LH32/2JC-07.2	1			350 500-01		Verflüssiger, luftgekühlt Air-cooled condenser Condenseur à air
	LH33/2KC-05.2 LH33/2JC-07.2 LH33/2HC-1.2 LH33/2HC-2.2 LH33/2GC-2.2	1			350 501-01		2 R, 400 x 400 3 R, 400 x 400
	LH(Q)44/2HC-1.2 LH44/2HC-2.2 LH(Q)44/2GC-2.2 LH44/2FC-2.2 LH44/2FC-3.2 LH44/2EC-2.2	1			350 502-01	4 R, 450 x 450	

Pos.	Type	Stück	Änderung	ab Baujahr Mon./Jahr/Nr.	Art. Nr.	Benennung	
Item	Type	Qty.	Modification	from model month/year/no.	Ref. nr.	Description	
No.	Type	Pièce	Modification	à partir du modèle mois/année/no.	Réf. no.	Désignation	
	LH53/2GC-2.2 LHQ53/2FC-2.2 LH53/2DC-2.2	1			350 503-01	Verflüssiger, luftgekühlt Air-cooled condenser Condenseur à air	3 R, 700 x 450
	LH64/2FC-2.2 LH(Q)64/2EC-2.2 LH64/2EC-3.2 LH(Q)64/2DC-2.2 LH64/2DC-3.2 LH64/2CC-3.2 LH64/4FC-3.2 LH64/4EC-4.2	1			350 504-01		4 R, 700 x 600
	LH(Q)84/2CC-3.2 LH84/2CC-4.2 LH(Q)84/4FC-3.2 LH84/4FC-5.2 LHQ84/4EC-4.2 LH84/4EC-6.2 LH84/4DC-5.2 LH84/4CC-6.2	1			350 506-01		4 R, 800 x 750
	LH104/2DC-3.2 LH104/2CC-4.2 LH104/4EC-4.2 LH104/4EC-6.2 LHQ104/4DC-5.2 LH104/4DC-7.2 LHQ104/4CC-6.2 LH104/4Z-8.2 LH104/4T-8.2 LH104/4TCS-8.2 LH104/S4T-5.2 LH104/S4N-8.2	1			350 507-01		4 R, 1100 x 656
	LH114/4FC-5.2 LH114/4DC-5.2 LH114/4DC-7.2 LH114/4CC-9.2 LH114/4Z-5.2 LH114/4Z-8.2 LH114/4V-10.2 LH114/4T-12.2 LHQ114/4TCS-8.2 LH114/4TCS-12.2 LH114/4P-10.2 LH114/4PCS-10.2 LH114/44FC-6.2 LH114/44FC-10.2 LH114/44EC-8.2	1			350 508-01		4 R, 1310 x 706
	LH124/4V-6.2 LH124/4V-10.2 LH124/4T-8.2 LH124/4TCS-8.2 LH124/4T-12.2 LH124/4TCS-12.2 LHQ124/4PCS-10.2 LH124/4N-12.2 LH124/4NCS-12.2 LH124/S4G-12.2 LH124/4CC-6.2 LH124/4CC-9.2 LH124/44FC-6.2 LH124/44FC-10.2 LH124/44EC-8.2 LH124/44EC-12.2 LH124/44DC-18.2	1			350 509-01		4 R, 1550 x 756



Pos.	Typ	Stück	Ände- rung	ab Baujahr Mon./Jahr/Nr.	Art. Nr.	Benennung
Item	Type	Qty.	Modifi- cation	from model month/year/no.	Ref. nr.	Description
No.	Type	Pièce	Modifi- cation	à partir du modèle mois/année/no.	Réf. no.	Désignation
	LH135/4P-10.2 LH135/4PC-10.2 LH135/4P-15.2 LH135/4PCS-15.2 LH135/4N-12.2 LH135/4NCS-12.2 LH135/4N-20.2 LH135/4NCS-20.2 LH(Q)135/4J-13.2 LH135/4J-22.2 LH135/4H-15.2 LH135/4H-25.2 LH135/4G-20.2 LH135/6J-22.2 LH135/6H-25.2 LH135/S6J-16.2 LH135/S6H-20.2 LH135/S6G-25.2 LH135/44EC-12.2 LH135/44DC-10.2 LH135/44DC-14.2 LH135/44CC-12.2 LH135/44CC-18.2	1			350 510-01	Verflüssiger, luftgekühlt Air-cooled condenser Condenseur à air
	U23/2HL-1.2	1			(350 202-11)	5 R, 1550 x 906
	U24/2GL-2.2	1			(350 203-11)	3R, 430 x 406
	U25/2FL-2.2 U25/2EL-2.2 U25/2DL-2.2	1			(350 204-11)	4R, 430 x 406
	U34/2DL-2.2	1			(350 301-11)	5R, 430 x 406
	U35/2EL-3.2 U35/2DL-3.2 U35/2U-3.2 U35/2Q-4.2	1			(350 302-11)	4R, 822 x 406
	L443/2U-5.2 L443/2Q-4.2 L443/2N-5.2 L443/4V-6.2	1			(350 108-01)	5R, 822 x 406
	L543/2Q-6.2 L543/4Z-8.2 L543/4V-6.2 L543/4T-8.2 L543/4P-10.2	1			(350 102-01)	4R, 1040 x 550
	L652/4V-10.2 L652/4T-12.2 L652/4P-10.2 L652/4N-12.2	1			(350 104-01)	4R, 1040 x 550
	L743/4N-12.2 L743/4J-13.2 L743/4H-15.2	1			(350 105-01)	5R, 1190 x 600
	L862/4P-15.2 L862/4N-20.2 L862/4J-13.2 L862/4J-22.2 L862/4H-15.2 L862/4G-20.2 L862/6J-22.2 L862/6H-25.2	1			(350 107-01)	4R, 1490 x 750
	LD033/2KC-05.2 LD033/2JC-07.2	1			350 513-02	6R, 1490 x 850
	LD044/2HC-1.2	1			350 514-02	2R, 300 x 600
	LD053/2JC-07.2 LD053/2GC-2.2	1			350 515-02	3R, 300 x 600
						2R, 400 x 800



Pos.	Typ	Stück	Ände- rung	ab Baujahr Mon./Jahr/Nr.	Art. Nr.	Benennung	
Item	Type	Qty.	Modifi- cation	from model month/year/no.	Ref. nr.	Description	
No.	Type	Pièce	Modifi- cation	à partir du modèle mois/année/no.	Réf. no.	Désignation	
	LD054/2HC-2.2 LD054/2GC-2.2 LD054/2FC-2.2 LD054/2EC-2.2	1			350 516-02	Verflüssiger, luftgekühlt Air-cooled condenser Condenseur à air	3R, 400 x 800
	LD064/2FC-3.2 LD064/2DC-2.2	1			350 517-02		4R, 450 x 900
	LD074/2EC-3.2 LD074/2CC-3.2 LD074/4FC-3.2	1			350 518-02		4R, 475 x 1040
6	LH32/2KC-05.2 LH32/2JC-07.2 LH33/2KC-05.2 LH33/2JC-07.2 LH33/2HC-1.2 LH33/2HC-2.2 LH33/2GC-2.2 LH(Q)44/2HC-1.2 LH44/2HC-2.2 LH(Q)44/2GC-2.2 LH44/2FC-2.2 LH44/2FC-3.2	1			360 310-61	Druckleitung Discharge line Conduite de refoulement	Ø 12
	LH44/2EC-2.2	1			360 310-70		Ø 12
	LH53/2GC-2.2 LHQ53/2FC-2.2	1			360 310-65		Ø 12
	LH53/2DC-2.2	1			360 310-72		Ø 12
	LH64/2FC-2.2	1			360 310-68		Ø 12
	LH(Q)64/2EC-2.2 LH64/2EC-3.2 LH(Q)64/2DC-2.2 LH64/2DC-3.2 LH64/2CC-3.2	1			360 320-99		Ø 16
	LH64/4FC-3.2 LH64/4EC-4.2	1			360 320-96		Ø 16
	LH(Q)84/2CC-3.2 LH84/2CC-4.2	1			360 320-99		Ø 16
	LH(Q)84/4FC-3.2 LH84/4FC-5.2 LHQ84/4EC-4.2 LH84/4EC-6.2 LH84/4DC-5.2 LH84/4CC-6.2	1			360 320-96		Ø 16
	LH104/2DC-3.2 LH104/2CC-4.2	1			363 320-73		Ø 16
	LH104/4EC-4.2 LH104/4EC-6.2 LHQ104/4DC-5.2 LHQ104/4CC-6.2 LH104/4DC-7.2	1			363 320-03		Ø 16
	LH104/4Z-8.2	1			360 340-55		Ø 22
	LH104/4T-8.2	1			360 350-52		Ø 28
	LH104/4TCS-8.2	1			363 350-86		Ø 28
	LH104/S4T-5.2 LH104/S4N-8.2	1			360 348-17	Druckleitung mit Schall- dämpfer Discharge line with muffler Conduite de refoulement avec amortisseur de broi	Ø 22

Pos. Item No.	Typ Type Type	Stück Qty. Pièce	Ände- rung Modifi- cation Modifi- cation	ab Baujahr Mon./Jahr/Nr. from model month/year/no. à partir du modèle mois/année/no.	Art. Nr. Ref. nr. Réf. no.	Benennung Description Désignation	
	LH114/4FC-5.2 LH114/4DC-5.2 LH114/4DC-7.2 LH114/4CC-9.2	1			363 340-23	Druckleitung Discharge line Conduite de refoulement	Ø 22
	LH114/4Z-5.2 LH114/4Z-8.2 LH114/4V-10.2	1			360 340-58		Ø 22
	LH114/4T-12.2 LH114/4P-10.2	1			360 350-55		Ø 28
	LHQ114/4TCS-8.2 LH114/4TCS-12.2 LH114/4PCS-10.2	1			363 350-87		Ø 28
	LH114/44FC-6.2 LH114/44FC-10.2 LH114/44EC-8.2	1			363 329-05		Ø 22
	LHQ124/4PCS-10.2 LH124/4TCS-8.2 LH124/4TCS-12.2 LH124/4NCS-12.2	1			363 350-88		Ø 28
	LH124/4CC-6.2 LH124/4CC-9.2	1			364 340-06		Ø 22
	LH124/44FC-6.2 LH124/44FC-10.2 LH124/44EC-8.2 LH124/44EC-12.2	1			363 329-01		Ø 22
	LH124/44DC-10.2	1			363 349-01		Ø 28
	LH124/4V-6.2 LH124/4V-10.2	1			360 348-16	Druckleitung mit Schall- dämpfer	Ø 28
	LH124/4T-8.2 LH124/4T-12.2 LH124/4N-12.2	1			360 358-12	Discharge line with muffler Conduite de refoulement avec amortisseur de bruit	Ø 28
	LH124/S4G-12.2	1			360 358-14		Ø 28
	LH135/4P-10.2 LH135/4P-15.2 LH135/4N-12.2 LH135/4N-20.2	1			360 358-12		Ø 28
	LH(Q)135/4J-13.2 LH135/4J-22.2 LH135/4H-15.2 LH135/4H-25.2 LH135/4G-20.2	1			360 358-13		Ø 28
	LH135/6J-22.2 LH135/6H-25.2	1			360 368-03		Ø 35
	LH135/S6J-16.2 LH135/S6H-20.2 LH135/S6G-25.2	1			360 358-15		Ø 28
	LH135/4PC-10.2 LH135/4PCS-15.2 LHQ135/4NCS-12.2	1			363 350-88	Druckleitung Discharge line Conduite de refoulement	Ø 28
	LD033/2KC-05.2 LD033/2JC-07.2 LD044/2HC-1.2	1			363 310-15		Ø 12
	LD053/2JC-07.2 LD053/2GC-2.2	1			363 310-16		Ø 12
	LD054/2HC-2.2 LD054/2GC-2.2 LD054/2FC-2.2	1			363 310-17		Ø 12
	LD054/2EC-2.2	1			363 320-66		Ø 16
	LD064/2FC-3.2	1			363 310-18		Ø 12

Pos.	Type	Stück	Änderung	ab Baujahr Mon./Jahr/Nr.	Art. Nr.	Benennung	
Item	Type	Qty.	Modifi- cation	from model month/year/no.	Ref. nr.	Description	
No.	Type	Pièce	Modifi- cation	à partir du modèle mois/année/no.	Réf. no.	Désignation	
	LD064/2DC-2.2 LD074/2EC-3.2 LD074/2CC-3.2	1			363 320-67	Druckleitung Discharge line Conduite de refoulement	Ø 16
	LD074/4FC-3.2	1			363 320-68		Ø 16
	U23/2HL-1.2 U24/2GL-2.2 U25/2FL-2.2	1			(360 311-24)		Ø 12
	U25/2EL-2.2 U25/2DL-2.2	1			(360 321-32)		Ø 16
	U34/2DL-2.2 U35/2EL-3.2 U35/2DL-3.2	1			(360 321-31)		Ø 16
	U35/2U-3.2 U35/2Q-4.2	1			(360 321-26)		Ø 16
	L443/2U-5.2 L443/2Q-4.2	1			(360 321-27)		Ø 16
	L443/2N-5.2	1			(360 342-14)		Ø 22
	L543/2Q-6.2	1			(360 320-11)		Ø 16
	L443/4V-6.2	1			(360 341-28)		Ø 22
	L543/4Z-8.2 L543/4V-6.2	1			(360 341-14)		Ø 22
	L543/4T-8.2 L543/4P-10.2	1			(360 351-30)		Ø 28
	L652/4V-10.2	1			(360 341-17)		Ø 22
	L652/4T-12.2 L652/4P-10.2 L652/4N-12.2	1			(360 351-12)		Ø 28
	L743/4N-12.2	1			(360 351-17)		Ø 28
	L743/S4G-12.2	1			(360 352-21)		Ø 28
	L743/4J-13.2 L743/4H-15.2	1			(360 352-20)		Ø 28
	L862/4P-15.2 L862/4N-20.2	1			(360 351-18)		Ø 28
	L862/4J-13.2 L862/4J-22.2 L862/4H-15.2 L862/4G-20.2	1			(360 351-20)		Ø 28
	L862/6J-22.2 L862/6H-25.2	1			(360 361-20)		Ø 35
	K072/2HC-1.2 K072/2GC-2.2 K072/2FC-2.2	1 1	1 2		(360 312-15) ↓ 360 310-49		Ø 12
	K072H/2HL-1.2 K072H/2GL-2.2 K072H/2FL-2.2	1 1	1 2		(360 311-20) ↓ 360 310-34		Ø 12
	K122H/2CL-3.2 K122H/2EL-2.2 K122H/2EL-3.2 K122H/2DL-2.2 K122H/2DL-3.2	1 1	1 2		(360 321-30) ↓ 360 320-63		Ø 16
	K202H/2CL-4.2	1	1 2		(360 322-11) ↓ 360 320-22		Ø 16
	K202H/2U-3.2 K202H/2U-5.2 K202H/2Q-4.2 K202H/2Q-6.2	1 1	1 2		(360 321-29) ↓ 360 320-64		Ø 16

Pos.	Typ	Stück	Ände- rung	ab Baujahr Mon./Jahr/Nr.	Art. Nr.	Benennung	
Item	Type	Qty.	Modifi- cation	from model month/year/no.	Ref. nr.	Description	
No.	Type	Pièce	Modifi- cation	à partir du modèle mois/année/no.	Réf. no.	Désignation	
	K202H/2N-5.2	1	1		(360 342-03) ↓	Druckleitung Discharge line Conduite de refoulement	Ø 22
		1	2		360 340-91		
	K202H/4V-6.2	1	1		(360 341-31) ↓		Ø 22
	K282H/4Z-8.2	1	2		360 340-87		
	K282H/4T-8.2	1	1		(360 352-18) ↓		Ø 28
		1	2		360 350-89		
	K372H/4V-10.2	1	1		(360 341-32) ↓		Ø 22
		1	2		360 340-88		
	K372H/4T-12.2	1	1		(360 352-19) ↓		Ø 28
	K372H/4P-10.2	1	2		360 350-90		
	K372H/4N-12.2	1	2				
	K572H/4P-15.2	1	1		(360 351-32) ↓		Ø 28
	K572H/4N-20.2	1	2		360 350-91		
	K572H/4J-13.2	1	1		(360 352-09) ↓		Ø 28
	K572H/4J-22.2	1	2		360 350-95		
	K572H/4H-15.2	1	2				
	K572H/4G-20.2	1	2				
	K812H/4H-25.2	1	2				
	K812H/4G-30.2	1	2				
	K572H/6J-22.2	1	1		(360 361-19) ↓		Ø 35
	K812H/6J-33.2	1	2		360 360-22		
	K812H/6H-25.2	1	2				
	K812H/6G-30.2	1	2				
	K1052H/6H-35.2	1	1		(360 361-04) ↓		Ø 35
	K1352T/6G-40.2	1	2		360 360-36		
	K1052H/6F-40.2	1	1		(360 372-01) ↓		Ø 42
	K1352T/6F-50.2	1	2		360 370-15		
	K1352T/44H-30.2	2	1		(360 359-04) ↓	Druckleitung mit Schall- dämpfer Discharge line with muffler Conduite de refoulement avec amortisseur de broit	Ø 28
		2	2		360 358-16		
	K1352T/44H-50.2	2	1		(360 359-05) ↓		Ø 28
	K1352T/44G-40.2	2	2		360 358-17		
	K1352T/66J-44.2	2	1		(360 369-02) ↓		Ø 35
		2	2		360 368-04		
	K1972T/44G-60.2	2	1		(360 359-06) ↓		Ø 28
		2	2		360 358-18		
	K1972T/66J-66.2	2	1		(360 369-03) ↓		Ø 35
	K1972T/66H-50.2	2	2		360 368-05		
	K1972T/66H-70.2	2	2				
	K1972T/66G-60.2	2	2				
	K1972T/66F-80.2	2	1		(360 373-02) ↓		Ø 42
	K2922T/66F-100.2	2	2		360 378-01		
	K2922T/66G-80.2	2	1		(360 369-03) ↓		Ø 35
		2	2		360 368-05		
	K073H(B)/2KC-05.2	1			360 310-49	Druckleitung Discharge line Conduite de refoulement	Ø 12
	K073H(B)/2JC-07.2	1					
	K073H(B)/2HC-1.2	1					
	K073H(B)/2HC-2.2	1					
	K073H(B)/2GC-2.2	1					
	K073H(B)/2FC-2.2	1					
	K123H(B)/2FC-3.2	1			360 310-77		Ø 12
	K123H(B)/2EC-2.2	1			360 320-88		Ø 16
	K123H(B)/2EC-3.2	1					
	K123H(B)/2DC-2.2	1					
	K123H(B)/2DC-3.2	1					
	K123H(B)/2CC-3.2	1					

Pos.	Typ	Stück	Ände- rung	ab Baujahr Mon./Jahr/Nr.	Art. Nr.	Benennung	
Item	Type	Qty.	Modifi- cation	from model month/year/no.	Ref. nr.	Description	
No.	Type	Pièce	Modifi- cation	à partir du modèle mois/année/no.	Réf. no.	Désignation	
	K203H(B)/2CC-4.2	1			360 320-89	Druckleitung	Ø 16
	K203H(B)/4FC-3.2	1			360 320-90	Discharge line	Ø 16
	K203H(B)/4FC-5.2					Conduite de refoulement	
	K203H(B)/4EC-4.2						
	K203H(B)/4EC-6.2						
	K203H(B)/4DC-5.2	1			363 340-17		Ø 22
	K203H(B)/4CC-6.2						
	K203H(B)/4V-6.2	1			360 340-87		Ø 22
	K283H(B)/4DC-7.2	1			363 340-17		Ø 22
	K283H(B)/4Z-8.2	1			360 340-87		Ø 22
	K283H(B)/4T-8.2	1			360 350-89		Ø 28
	K283H(B)/4TCS-8.2	1			363 350-96		Ø 28
	K373H(B)/4CC-9.2	1			363 340-84		Ø 22
	K373H(B)/4V-10.2	1			360 340-88		Ø 22
	K373H(B)/4T-12.2	1			360 350-90		Ø 28
	K373H(B)/4P-10.2						
	K373H(B)/4N-12.2						
	K373H(B)/4TCS-12.2	1			363 350-97		Ø 28
	K373H(B)/4PCS-10.2						
	K373H(B)/4NCS-12.2						
	K373H(B)/S4T-5.2	1			360 348-18	Druckleitung mit Schall- dämpfer	Ø 22
	K373H(B)/S4N-8.2					Discharge line with muffler	
						Conduite de refoulement avec amortisseur de bruit	
	K573H(B)/4P-15.2	1			360 350-91	Druckleitung	Ø 28
	K573H(B)/4N-20.2					Discharge line	
						Conduite de refoulement	
	K573H(B)/4PCS-15.2	1			363 350-98		Ø 28
	K573H(B)/4NCS-20.2						
	K573H(B)/4J-13.2	1			360 350-95		Ø 28
	K573H(B)/4J-22.2						
	K573H(B)/4H-15.2						
	K573H(B)/4G-20.2						
	K573H(B)/6J-22.2	1			360 360-22		Ø 35
	K573H(B)/S4G-12.2	1			360 358-20	Druckleitung mit Schall- dämpfer	Ø 28
	K573H(B)/S6J-16.2	1			360 358-19	Discharge line with muffler	Ø 28
	K573H(B)/S6H-20.2					Conduite de refoulement avec amortisseur de bruit	
	K813H(B)/4H-25.2	1			360 350-95	Druckleitung	Ø 28
	K813H(B)/4G-30.2					Discharge line	
						Conduite de refoulement	Ø 35
	K813H(B)/6J-33.2	1			360 360-22		Ø 35
	K813H(B)/6H-25.2						
	K813H(B)/6G-30.2						
	K813H(B)/S6G-25.2	1			360 358-19	Druckleitung mit Schall- dämpfer	Ø 28
	K813H(B)/S6F-30.2					Discharge line with muffler	
						Conduite de refoulement avec amortisseur de bruit	
	K1053H(B)/6H-35.2	1			360 360-53	Druckleitung	Ø 35
	K1053H(B)/6F-40.2	1			360 370-15	Discharge line	Ø 42
						Conduite de refoulement	
	K1353T(B)/6G-40.2	1			360 360-53		Ø 35
	K1353T(B)/6F-50.2	1			360 370-15		Ø 42

Pos.	Typ	Stück	Ände- rung	ab Baujahr Mon./Jahr/Nr.	Art. Nr.	Benennung	
Item	Type	Qty.	Modifi- cation	from model month/year/no.	Ref. nr.	Description	
No.	Type	Pièce	Modifi- cation	à partir du modèle mois/année/no.	Réf. no.	Désignation	
	K1353T(B)/44H-30.2	1			360 358-16	Druckleitung mit Schall- dämpfer	Ø 28
	K1353T(B)/44H-50.2	1			360 358-17	Discharge line with muffler	Ø 28
	K1353T(B)/44G-40.2	1			360 358-18	Conduite de refoulement avec	Ø 28
	K1353T(B)/66J-44.2	1			360 368-04	amortisseur de broit	Ø 35
	K1353T(B)/S66J-32.2 K1353T(B)/S66H-40.2 K1353T(B)/S66G-50.2 K1353T(B)/S66F-60.2	1			360 358-29		Ø 28
	K1973T(B)/44G-60.2	1			360 358-18		Ø 28
	K1973T(B)/66J-66.2 K1973T(B)/66H-50.2 K1973T(B)/66H-70.2 K1973T(B)/66G-60.2	1			360 368-05		Ø 35
	K1973T(B)/66F-80.2	1			360 378-01		Ø 42
	K2923T(B)/66G-80.2	1			360 368-05		Ø 35
	K2923T(B)/66F-100.2	1			360 378-01		Ø 42
7	LH32/2KC-05.2 LH32/2JC-07.2 LH33/2KC-05.2 LH33/2JC-07.2 LH33/2HC-1.2 LH33/2HC-2.2 LH33/2GC-2.2	1			360 300-23	Kondensationsleitung Condensate line Conduite de condensat	Ø 10
	LH(Q)44/2HC-1.2 LH44/2HC-2.2 LH(Q)44/2GC-2.2 LH44/2FC-2.2 LH44/2FC-3.2	1			360 300-24		Ø 10
	LH44/2EC-2.2	1			360 300-25		Ø 10
	LH53/2GC-2.2 LHQ53/2FC-2.2 LH53/2DC-2.2	1			360 300-17		Ø 10
	LH64/2FC-2.2 LH(Q)64/2EC-2.2 LH64/2EC-3.2 LH(Q)64/2DC-2.2 LH64/2DC-3.2 LH64/2CC-3.2 LH64/4FC-3.2 LH64/4EC-4.2	1			360 310-20		Ø 12
	LH(Q)84/2CC-3.2 LH84/2CC-4.2 LH(Q)84/4FC-3.2 LH84/4FC-5.2 LHQ84/4EC-4.2 LH84/4EC-6.2 LH84/4DC-5.2 LH84/4CC-6.2	1			360 310-58		Ø 12
	LH104/2DC-3.2 LH104/2CC-4.2 LH104/4EC-4.2 LH104/4EC-6.2 LHQ104/4DC-5.2 LH104/4DC-7.2 LHQ104/4CC-6.2 LH104/4Z-8.2 LH104/4T-8.2 LH104/4TCS-8.2 LH104/S4T-5.2 LH104/S4N-8.2	1			360 320-44		Ø 16

Pos.	Type	Stück	Änderung	ab Baujahr Mon./Jahr/Nr.	Art. Nr.	Benennung	
Item	Type	Qty.	Modification	from model month/year/no.	Ref. nr.	Description	
No.	Type	Pièce	Modification	à partir du modèle mois/année/no.	Réf. no.	Désignation	
	LH114/4FC-5.2 LH114/4DC-5.2 LH114/4DC-7.2 LH114/4CC-9.2 LH114/4Z-5.2 LH114/4Z-8.2 LH114/4V-10.2 LH114/4T-12.2 LHQ114/4TCS-8.2 LH114/4TCS-12.2 LH114/4P-10.2 LH114/4PCS-10.2	1			360 320-45	Kondensationsleitung Condensate line Conduite de condensat	Ø 16
	LH114/44FC-6.2 LH114/44FC-10.2 LH114/44EC-8.2				363 320-61		Ø 16
	LH124/44FC-6.2 LH124/44FC-10.2 LH124/44EC-8.2 LH124/44EC-12.2 LH124/44DC-10.2 LH135/44EC-12.2 LH135/44DC-10.2 LH135/44DC-14.2 LH135/44CC-12.2 LH135/44CC-18.2	1			363 340-66		Ø 22
	LHQ124/4PCS-10.2 LH124/4CC-6.2 LH124/4CC-9.2 LH124/4TCS-8.2 LH124/4TCS-12.2 LH124/4NCS-12.2 LH124/4V-6.2 LH124/4V-10.2 LH124/4T-8.2 LH124/4T-12.2 LH124/4N-12.2 LH124/S4G-12.2 LH135/4P-10.2 LH135/4P-15.2 LH135/4PC-10.2 LHQ135/4NCS-12.2 LH135/4N-12.2 LH135/4N-20.2 LH(Q)135/4J-13.2 LH135/4J-22.2 LH135/4H-15.2 LH135/4H-25.2 LH135/4G-20.2 LH135/6J-22.2 LH135/6H-25.2 LH135/S6J-16.2 LH135/S6H-20.2 LH135/S6G-25.2	1			360 340-48		Ø 22
	LD033/2KC-05.2 LD033/2JC-07.2 LD044/2HC-1.2	1			360 300-40		Ø 10
	LD053/2GC-2.2	1			360 300-41		Ø 10
	LD054/2HC-2.2 LD054/2GC-2.2 LD054/2FC-2.2 LD054/2EC-2.2	1			360 310-14		Ø 10
	LD064/2FC-3.2 LD064/2DC-2.2	1			363 310-11		Ø 12
	LD074/2EC-3.2 LD074/2CC-3.2	1			363 310-13		Ø 12
	LD074/4FC-3.2	1			363 310-13		Ø 12

Pos.	Typ	Stück	Ände- rung	ab Baujahr Mon./Jahr/Nr.	Art. Nr.	Benennung
Item	Type	Qty.	Modifi- cation	from model month/year/no.	Ref. nr.	Description
No.	Type	Pièce	Modifi- cation	à partir du modèle mois/année/no.	Réf. no.	Désignation
	U23/2HL-1.2 U24/2GL-2.2 U25/2FL-2.2	1			(360 301-06)	Kondensationsleitung Condensate line Conduite de condensat Ø 10
	U25/2EL-2.2 U25/2DL-2.2	1			(360 301-07)	Ø 10
	U34/2DL-2.2 U35/2EL-3.2 U35/2DL-3.2 U35/2U-2.2 U35/2Q-4.2	1			(360 311-22)	Ø 12
	L443/2U-5.2 L443/2Q-4.2 L443/2N-5.2 L443/4V-6.2	1			(360 322-04)	Ø 16
	L543/2Q-6.2 L543/4Z-8.2 L543/4V-6.2 L543/4T-8.2 L543/4P-10.2	1			(360 322-05)	Ø 16
	L652/4V-10.2 L652/4T-12.2 L652/4P-10.2 L652/4N-12.2	1			(360 322-06)	Ø 16
	L743/4N-12.2 L743/4J-13.2 L743/4H-15.2	1			(360 341-09)	Ø 22
	L862/4P-15.2 L862/4N-20.2 L862/4J-13.2 L862/4J-22.2 L862/4H-15.2 L862/4G-20.2 L862/6J-22.2 L862/6H-25.2	1			(360 341-11)	Ø 22
8	U23/... U24/... U25/... M25/...	1			(343 002-01)	Ventilatormotor Fan motor Moteur de ventilateur ➔ 11 220/380-3-50 LS63. B.S1 (C4-C5)
	U34/... U35/... L443/...	2			(343 002-01)	220/380-3-50 LS63.B.S1 (C4-C5)
	L543/... L652/... L743/...	2			(343 002-02)	220/380-3-50 D25 (K6-K7)
	L862/...	2			(343 003-02)	220/380-3-50 (L8) 1PP1085-4WA29Z
9	U23/... U24/...	1			(324 423-01)	Ventilatorflügel Fan blade Ailette ➔ 11 (C4) Al., Ø 356, 4 Blatt 22°, Ø 10, für Motor LS63, B.S1
	U34/...	2			(324 423-01)	(C4) Al., Ø 356, 4 Blatt 22°, Ø 10, für Motor LS63, B.S1
	U25/... M25/...	1			(324 423-02)	(C5) Al., Ø 356, 4 Blatt 28°, Ø 10, für Motor LS63, B.S1
	U35/... U443/...	2			(324 423-02)	(C5) Al., Ø 356, 4 Blatt 28°, Ø 10, für Motor LS63, B.S1

Pos.	Type	Stück	Änderung	ab Baujahr Mon./Jahr/Nr.	Art. Nr.	Benennung	
Item	Type	Qty.	Modifi- cation	from model month/year/no.	Ref. nr.	Description	
No.	Type	Pièce	Modifi- cation	à partir du modèle mois/année/no.	Réf. no.	Désignation	
	L543/...	2			(324 421-02)	Ventilatorflügel Fan blade	(K6) Al., Ø 457, 4 Blatt 28°, Ø 14, für Motor D25
	L652/... L743/...	2			(324 421-03)	Ailette ➔ 11	(K7) Al., Ø 457, 4 Blatt 32°, Ø 14, für Motor D25
	L862/...	2			(324 421-04)		(L8) Al., Ø 508, 4 Blatt, 35°, Ø 18, für Motor 1PP1085-4WA29Z
10	U23/... U24/... U25/... M25/...	1			(326 124-01)	Schutzkorb Guards form Paniers ➔ 11	für Motor AD 1130/4 (C4-C5) LS63.B.S1
	U34/... U35/... L443/...	2			(326 124-01)		für Motor AD 1130/4 (C4-C5) LS63.B.S1
	L543/... L652/... L743/...	2			(326 125-02)		für Motor D25 (K6-K7)
	L862/...	2			(326 126-02)		für Motor 1PP 1085- 4WA29Z (L8)
11	LH32/2KC-05.2 LH32/2JC-07.2 LH33/2KC-05.2 LH33/2JC-07.2 LH33/2HC-1.2 LH33/2HC-2.2 LH33/2GC-2.2	1			343 014-01	Lüfter komplett mit Flügel und Schutzkorb Fan complete Ventilateur complete	S4E 350 - AF 20 - 28
	LH44/2HC-1.2 LH44/2HC-2.2 LH44/2GC-2.2 LH44/2FC-2.2 LH44/2FC-3.2 LH44/2EC-2.2	1			343 014-02		S4E 350 - AG 06 - 28
	LHQ44/2HC-1.2 LHQ44/2GC-2.2	1			343 014-32		S6E 350 - AP 24 - 34
	LH53/2GC-2.2 LH53/2DC-2.2	1			343 014-51		FB 035 - 4EK.2F.6S
	LHQ53/2FC-2.2	1			343 014-81		FB 035 - 6EK.2C.6S
	LH64/2FC-2.2 LH64/2EC-2.2 LH64/2EC-3.2 LH64/2DC-2.2 LH64/2DC-3.2 LH64/2CC-3.2 LH64/4FC-3.2 LH64/4EC-4.2	1			343 014-52		FB 045 - 4EK.4F.6L
	LHQ64/2EC-2.2 LHQ64/2DC-2.2	1			343 014-82		FB 045 - 6EK.4C.6L
	LH84/2CC-3.2 LH84/2CC-4.2 LH84/4FC-3.2 LH84/4FC-5.2 LH84/4EC-6.2 LH84/4DC-5.2 LH84/4CC-6.2	1			343 014-53		FB 045 - 4EK.4I.6P
	LHQ84/2CC-3.2 LHQ84/4FC-3.2 LHQ84/4EC-4.2	1			343 014-83		FB 045 - 6EK.4F.6S

Pos.	Typ	Stück	Ände- rung	ab Baujahr Mon./Jahr/Nr.	Art. Nr.	Benennung
Item	Type	Qty.	Modifi- cation	from model month/year/no.	Ref. nr.	Description
No.	Type	Pièce	Modifi- cation	à partir du modèle mois/année/no.	Réf. no.	Désignation
	LH104/2DC-3.2 LH104/2CC-4.2 LH104/4EC-4.2 LH104/4EC-6.2 LH104/4DC-7.2 LH104/4Z-8.2 LH104/4T-8.2 LH104/4TCS-8.2 LH104/S4T-5.2 LH104/S4N-8.2	2			343 014-52	Lüfter komplett mit Flügel und Schutzkorb Fan complete Ventilateur complete FB 045 - 4EK.4F.6L
	LHQ104/4DC-5.2 LHQ104/4CC-6.2	2			343 014-82	FB 045 - 6EK.4C.6L
	LH114/4FC-5.2 LH114/4DC-5.2 LH114/4DC-7.2 LH114/4CC-9.2 LH114/4Z-5.2 LH114/4Z-8.2 LH114/4V-10.2 LH114/4T-12.2 LH114/4TCS-12.2 LH114/4P-10.2 LH114/4PCS-10.2 LH114/44FC-6.2 LH114/44FC-10.2 LH114/44EC-8.2	2			343 014-52	FB 045 - 4EK.4F.6L
	LHQ114/4TCS-8.2	2			343 014-82	FB 045 - 6EK.4C.6L
	LHQ124/4PCS-10.2	2			343 014-83	FB 045 - 6EK.4F.6S
	LH124/4CC-6.2 LH124/4CC-9.2 LH124/4V-6.2 LH124/4V-10.2 LH124/4T-8.2 LH124/4TCS-8.2 LH124/4T-12.2 LH124/4TCS-12.2 LH124/4N-12.2 LH124/4NCS-12.2 LH124/S4G-12.2 LH124/44FC-6.2 LH124/44FC-10.2 LH124/44EC-8.2 LH124/44EC-12.2 LH124/44DC-10.2	2			343 014-53	FB 045 - 4EK.4I.6P
	LH135/4P-10.2 LH135/4PC-10.2 LH135/4P-15.2 LH135/4PCS-15.2 LH135/4NCS-12.2 LH135/4N-12.2 LH135/4N-20.2 LH135/4J-13.2 LH135/4J-22.2 LH135/4H-15.2 LH135/4H-25.2 LH135/4G-20.2 LH135/6J-22.2 LH135/6H-25.2 LH135/S6J-16.2 LH135/S6H-20.2 LH135/S6G-25.2 LH135/44EC-12.2 LH135/44DC-10.2 LH135/44DC-14.2 LH135/44CC-12.2 LH135/44CC-18.2	2			343 015-01	FE 050 - 4DK.4I.6
	LHQ135/4J-13.2 LHQ135/4NCS-12.2	2			343 015-11	FE 050 - 6 DK. 4F.6



Pos.	Typ	Stück	Ände- rung	ab Baujahr Mon./Jahr/Nr.	Art. Nr.	Benennung	
Item	Type	Qty.	Modifi- cation	from model month/year/no.	Ref. nr.	Description	
No.	Type	Pièce	Modifi- cation	à partir du modèle mois/année/no.	Réf. no.	Désignation	
	LD033/2KC-05.2 LD033/2JC-07.2 LD044/2HC-1.2	1			343 032-01	Lüfter komplett mit Flügel und Schutzkorb Fan complete Ventilateur complete	S2E 250-AL06-09
	LD053/2JC-07.2 LD053/2GC-2.2 LD054/2HC-2.2 LD054/2GC-2.2 LD054/2FC-2.2 LD054/2EC-2.2 LD064/2FC-3.2 LD064/2DC-2.2	1			343 014-01		S4E 350-AF20-28
	LD074/2EC-3.2 LD074/2CC-3.2 LD074/4FC-3.2	1			343 019-01		FB 040-4EK.2F.6P
	U23/ ... U24/ ...	1	1		(343 011-15) ↓		220/380 /3/ 50 Hz LS63.B.S1 (C4)
		1	2		343 014-12		S4D 350 - AE 04 - 29
	U34/ ...	2	1		(343 011-15) ↓		220/380 /3/ 50 Hz LS63.B.S1 (C4)
		2	2		343 014-12		S4D 350 - AE 04 - 29
	U25/ ... M25/ ...	1	1		(343 011-16) ↓		220/380 /3/ 50 Hz LS63.B.S1 (C5)
		1	2		343 014-12		S4D 350 - AE 04 - 29
	U35/ ... L443/ ...	2	1		(343 011-16) ↓		220/380 /3/ 50 Hz LS63.B.S1 (C5)
		2	1		343 014-12		S4D 350 - AE 04 - 29
	L543/...	2	1		(343 011-20) ↓		220/380 /3/ 50 Hz, D25 (K6)
		2	2		343 017-01		FE 045 - DK .4I.6
	L652/... L743/...	2	1		(343 011-21) ↓		220/380 /3/ 50 Hz, D25 (K7)
		2	2		(343 011-02) ↓		220/380 /3/ 50 Hz AD1176/4 (K7)
		2	3		343 017-01		FE 045 - DK .4I.6
	L862/...	2	1		(343 011-19) ↓		220/380 /3/ 50Hz 1PP1085-4WA29Z (L8)
		2	2		343 015-01		FE 050 - 4 DK .4I.6

Pos.	Typ	Stück	Ände- rung	ab Baujahr Mon./Jahr/Nr.	Art. Nr.	Benennung				
Item	Type	Qty.	Modifi- cation	from model month/year/no.	Ref. nr.	Description				
No.	Type	Pièce	Modifi- cation	à partir du modèle mois/année/no.	Réf. no.	Désignation				
12	2HL-1.2...2CL-4.2 2KC-05.2...2FC-3.2	1	1		(343 020-02) ↓	Zusatzlüfter komplett mit Befestigungsmaterial Additional fans, with fastening material. Ventilateurs additionales, avec matériel de tension. *) Siehe Maschinenpreisliste see machine price list voir prix-tarif machine	220V/1/50 Hz			
		1	2		343 021-01*)		230V/1/50/60 Hz			
	2EC-2.2...2CC-4.2	1	1		343 021-08*) ↓		230V/1/50/60 Hz			
		1	2		343 021-12*)					
	4FC-3.2...4CC-9.2	1	1		343 021-09*) ↓		230/400V/3/50/60 Hz			
		1	2		343 021-19		230V/1/50/60 Hz			
	4VC(S)-6.2...4NC(S)-20.2	1			343 021-13*)		230V/1/50/60 Hz			
	2U-3.2.. 2N-7.2	1	1		(343 020-03) ↓		220/380/3/50 Hz			
		1	2		343 021-02*)		230/400V/3/50/60 Hz			
	4Z-5.2.. 4N-20.2	1	1		(343 020-04) ↓		220/380/3/50 Hz			
		1	2		343 021-03*)		230/400V/3/50/60 Hz			
	4J-13.2.. 4G-30.2..	1	1		(343 020-05) ↓		220/380/3/50 Hz			
		1	2		343 021-04*)		230/400V/3/50/60 Hz			
	6J-22.2.. 6F-50.2..	1	1		(343 020-06) ↓		220/380/3/50 Hz			
		1	2		343 021-05*)		230/400V/3/50/60 Hz			
	(14)	LH32/2KC-05.2 LH32/2JC-07.2 LH33/2KC-05.2 LH33/2JC-07.2 LH33/2HC-1.2 LH33/2HC-2.2 LH33/2GC-2.2	1				358 401-13*)	Wetterschutzgehäuse Housed unit Un capotage de protection contre les intempéries *) Siehe Maschinenpreisliste see machine price list voir prix-tarif machine		
			LH(Q)44/2HC-1.2 LH44/2HC-2.2 LH(Q)44/2GC-2.2 LH44/2FC-2.2 LH44/2FC-3.2	1					358 401-14*)	
				LH44/2EC-2.2	1					358 401-02*)
LH53/2GC-2.2 LHQ53/2FC-2.2 LH53/2DC-2.2				1			358 401-15*)			
LH64/2FC-2.2 LH(Q)64/2EC-2.2 LH64/2EC-3.2 LH(Q)64/2DC-2.2 LH64/2DC-3.2 LH64/2CC-3.2 LH64/4FC-3.2 LH64/4EC-4.2				1			358 401-16*)			
				LH(Q)84/2CC-3.2 LH84/2CC-4.2 LH(Q)84/4FC-3.2 LH84/4FC-5.2 LHQ84/4EC-4.2 LH84/4EC-6.2 LH84/4DC-5.2 LH84/4CC-6.2	1				358 401-17*)	
					LH104/2DC-3.2 LH104/2CC-4.2 LH104/4EC-4.2 LH104/4EC-6.2 LHQ104/4DC-5.2 LH104/4DC-7.2 LHQ104/4CC-6.2 LH104/4Z-8.2 LH104/4T-8.2 LH104/4TCS-8.2 LH104/S4T-5.2 LH104/S4N-8.2	1				358 404-01*)

Pos.	Typ	Stück	Änderung	ab Baujahr Mon./Jahr/Nr.	Art. Nr.	Benennung
Item	Type	Qty.	Modification	from model month/year/no.	Ref. nr.	Description
No.	Type	Pièce	Modification	à partir du modèle mois/année/no.	Réf. no.	Désignation
	LH114/4FC-5.2 LH114/4DC-5.2 LH114/4DC-7.2 LH114/4CC-9.2 LH114/4Z-5.2 LH114/4Z-8.2 LH114/4V-10.2 LH114/4T-12.2 LHQ114/4TCS-8.2 LH114/4TCS-12.2 LH114/4P-10.2 LH114/4PCS-10.2 LH114/44FC-6.2 LH114/44FC-10.2 LH114/44EC-8.2	1			358 405-01*)	Wetterschutzgehäuse Housed unit Un capotage de protection contre les intempéries *) Siehe Maschinenpreislste see machine price list voir prix-tarif machine
	LH124/4V-6.2 LH124/4V-10.2 LH124/4T-8.2 LH124/4T-12.2 LH124/4N-12.2 LH124/S4G-12.2 LHQ124/4PCS-10.2 LH124/4CC-6.2 LH124/4CC-9.2 LH124/4TCS-8.2 LH124/4TCS-12.2 LH124/4NCS-12.2 LH124/44FC-6.2 LH124/44FC-10.2 LH124/44EC-8.2 LH124/44EC-12.2 LH124/44DC-10.2	1			358 406-01*)	
	LH135/4P-10.2 LH135/4PC-10.2 LH135/4P-15.2 LH135/4PCS-15.2 LH135/4N-12.2 LH(Q)135/4NCS-12.2 LH135/4N-20.2 LH135/4NCS-20.2 LH(Q)135/4J-13.2 LH135/4J-22.2 LH135/4H-15.2 LH135/4H-25.2 LH135/4G-20.2 LH135/6J-22.2 LH135/6H-25.2 LH135/S6J-16.2 LH135/S6H-20.2 LH135/S6G-25.2 LH135/44EC-12.2 LH135/44DC-10.2 LH135/44DC-14.2 LH135/44CC-12.2 LH135/44CC-18.2	1			358 407-01*)	
	LD033/2KC-05.2 LD033/2JC-07.2 LD044/2HC-1.2	1			358 401-21*)	
	LD053/2JC-07.2 LD053/2GC-2.2 LD054/2HC-2.2 LD054/2GC-2.2	1			358 401-20*)	
	LD064/2FC-3.2 LD064/2DC-2.2	1			358 401-19*)	
	LD074/2EC-3.2 LD074/2CC-3.2 LD074/4FC-3.2				358 401-18*)	

Pos.	Typ	Stück	Ände- rung	ab Baujahr Mon./Jahr/Nr.	Art. Nr.	Benennung
Item	Type	Qty.	Modifi- cation	from model month/year/no.	Ref. nr.	Description
No.	Type	Pièce	Modifi- cation	à partir du modèle mois/année/no.	Réf. no.	Désignation
16	—	1			366 000-10	Rohranschluss Pipe connection Raccor de tube aspiration
	—	1			366 000-13	
	—	1			366 000-14	
	—	1			366 000-01	
	—	1			366 000-02	
	—	1			366 000-03	
	—	1			366 000-04	
	—	1			366 000-05	
	—	1			366 000-06	
	—	1			366 000-07	
	—	1			366 000-08	
	—	1			366 000-23	
	—	1			366 000-22	
	—	1			366 001-12	Winkel-Rohranschluss Bend tube connection Raccord angulaire
	—	1			366 001-16	
	—	1			366 001-01	
	—	1			366 001-02	
	—	1			366 001-03	
	—	1			366 001-04	
	—	1			366 001-05	
	—	1			366 001-06	
	—	1			366 001-07	
	—	1			366 001-10	

Pos.	Typ	Stück	Ände- rung	ab Baujahr Mon./Jahr/Nr.	Art. Nr.	Benennung	
Item	Type	Qty.	Modifi- cation	from model month/year/no.	Ref. nr.	Description	
No.	Type	Pièce	Modifi- cation	à partir du modèle mois/année/no.	Réf. no.	Désignation	
18	.../2KC-05.2 .../2JC-07.2 .../2HC-1.2/-2.2 .../2GC-2.2 .../2FC-2.2/-3.2	1/2			361 315-11	Druck-Absperrventil Discharge shut-off valve Vanne d'arrêt refoulement	Ø 12 L
	.../2EC-2.2/-3.2 .../2DC-2.2/-3.2 .../2CC-3.2/-4.2 .../4FC-3.2/-5.2 .../4EC-4.2/-6.2	1			361 315-10		Ø 16 L
	.../4DC-5.2/-7.2 .../4CC-6.2/-9.2	1			361 315-05		Ø 22 L
	.../2N-5.2 .../4Z-5.2/-8.2 .../4V-6.2/-10.2 .../S4T-5.2 .../S4N-8.2	1			366 000-03	Rohr-Anschluss für Absperrventil Pipe connection for shut-off valve Raccord de tube pour vanne d'arrêt	1 1/4"-12 UNF, Ø 22 L
	.../4T-8.2/-12.2 .../4P-10.2/-15.2 .../4N-12.2/-20.2 .../4T(-.2)- .../4P(-.2)- .../4N(-.2)- .../S4G-12.2 .../4J-13.2/-22.2 .../4H-15.2/-25.2 .../4G-20.2 .../S6J-16.2 .../S6H-20.2 .../S6G-25.2	1			366 000-06		1 3/4"-12 UNF, Ø 28 L
	.../6J-22.2/-33.2 .../6H-25.2/-35.2 .../6G-30.2/-40.2	1			366 000-07		1 3/4"-12 UNF, Ø 35 L
	.../6F-40.2/-50.2	1			365 321-14		Ø 42 (1 5/8" St.)
	LH44/2EC-2.2 LH53/2DC-2.2	1			365 714-04	Reduzier-Buchse für Absperrventil	Ø 16A x Ø12I
	LH84/4DC-5.2 LH84/4CC-6.2 LHQ104/4DC-5.2 LHQ104/4CC-6.2 LH104/4DC-7.2	1			365 714-03	Reducing bush for shut-off valve Douille de réduction pour vanne d'arrêt	Ø 22A x Ø16I
	20	LH64/2FC-2.2	1			311 017-02	Reduzier-Buchse für Verflüssiger
LH104/2DC-3.2 LH104/2CC-4.2 LH104/4EC-4.2 LH104/4EC-6.2 LHQ104/4DC-5.2 LHQ104/4CC-6.2 LH104/4DC-7.2		1			365 714-01	Reducing bush for condenser Douille de réduction pour condenseur	Ø 22A x Ø 16I
LH104/4T-8.2 LH104/4TCS-8.2		1			365 711-01		Ø 28I x Ø 22A



Pos.	Type	Stück	Ände- rung	ab Baujahr Mon./Jahr/Nr.	Art. Nr.	Benennung
Item	Type	Qty.	Modifi- cation	from model month/year/no.	Ref. nr.	Description
No.	Type	Pièce	Modifi- cation	à partir du modèle mois/année/no.	Réf. no.	Désignation
	LH114/4FC-5.2 LH114/4DC-5.2 LH114/4DC-7.2 LH114/4CC-9.2 LH114/4Z-5.2 LH114/4Z-8.2 LH114/4V-10.2 LH114/44FC-6.2 LH114/44FC-10.2 LH114/44EC-8.2 LH124/4CC-6.2 LH124/4CC-9.2 LH124/44FC-6.2 LH124/44FC-10.2 LH124/44EC-8.2 LH124/44EC-12.2 LH124/4V-6.2 LH124/4V-10.2	1			365 712-01	Reduzier-Buchse für Verflüssiger Reducing bush for condenser Douille de réduction pour condenseur Ø 28A x Ø 22I
	LH135/6J-22.2 LH135/6H-25.2	1			365 716-01	Ø 35i x Ø 28A
	LD054/2HC-2.2 LD054/2GC-2.2 LD054/2FC-2.2 LD064/2FC-3.2	1			311 017-02	Ø 16A x Ø 12I



Pos.	Typ	Stück	Ände- rung	ab Baujahr Mon./Jahr/Nr.	Art. Nr.	Benennung
Item	Type	Qty.	Modifi- cation	from model month/year/no.	Ref. nr.	Description
No.	Type	Pièce	Modifi- cation	à partir du modèle mois/année/no.	Réf. no.	Désignation





Bitzer Kühlmaschinenbau GmbH
Eschenbrünnlestraße 15
71065 Sindelfingen, Germany
fon +49 (0) 70 31 932-0
fax +49 (0) 70 31 932-146 & -147
www.bitzer.de • bitzer@bitzer.de