



THE HEART OF FRESHNESS

SPARE PARTS LIST

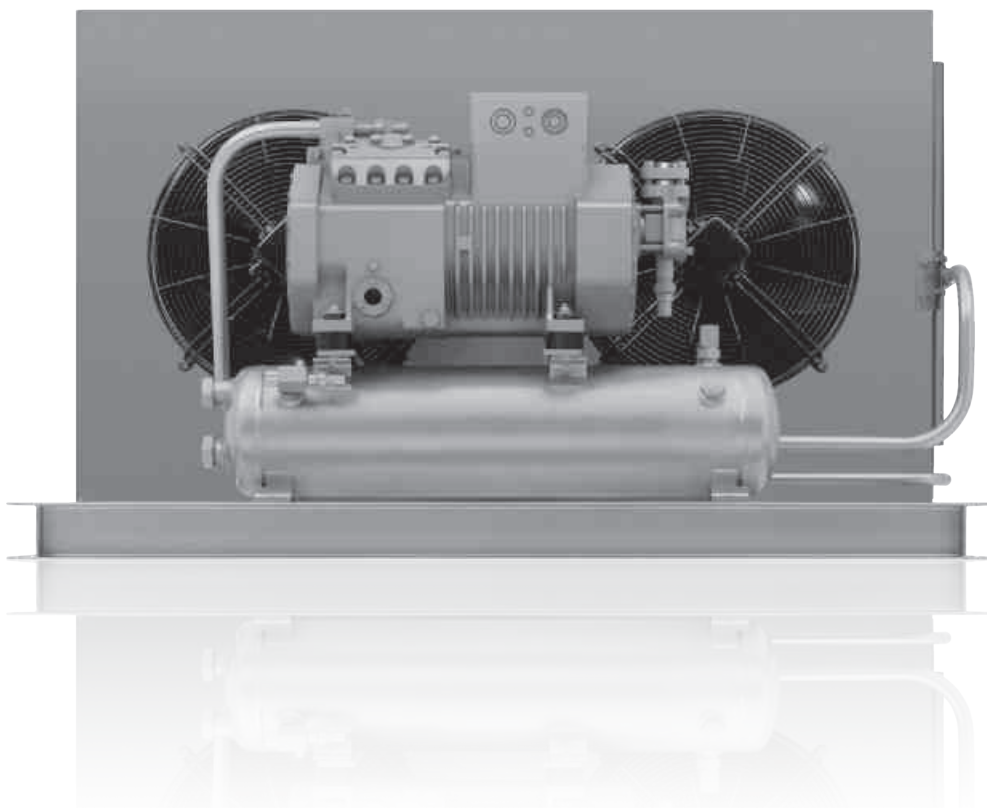
ERSATZTEILLISTE

LISTE DES PIÈCES DÉTACHÉES

KE-231-1

LH32E/2KES-05 .. LH265E/S6F-30.2
K073H/2KES-05 .. K2923T/66FE-100
K073HB/2KES-05 .. K2923TB/66FE-80

SEMI-HERMETIC CONDENSING UNITS
HALBHERMETISCHE VERFLÜSSIGUNGSSÄTZE
GROUPES DE CONDENSATION HERMÉTIQUES-ACCESSIBLES





Wichtige Hinweise für den Benutzer

Eine ordnungsgemäße Bearbeitung Ihres Ersatzteilauftrages kann nur bei vollständigen Angaben erfolgen.

Bestellbeispiel:

Stück Quantity Quantité	Benennung Description Désignation	Typ Type Type	Art.-Nr. Ref. nr. Réf. no.	Fabrikationsnummer Serial number No. de fabrication
1	Rahmen Frame Châssis	LH114E / 4FES-5	326 027 01	6 541 0001

Important recommendations for the user

An order can only be executed exactly if a full designation is given.

Example for ordering:

Recommandation importante pour le client

L'exécution conforme d'une commande de pièces détachées ne peut être faite qu'avec l'indication complète des coordonnées.

Exemple de commande:

Sind bei einem Teil Änderungsstufen vermerkt, muß neben der Art.-Nummer auch die Fabrikationsnummer oder die Änderungsstufe angegeben werden. Werden keine Angaben gemacht, wird die neueste Teileausführung geliefert.

Typen, die älter als 10 Jahre sind, werden in dieser Liste nicht mehr aufgeführt.

In cases where stages of modification are indicated, please give the compressor serial number as well as the ref. number, without this latest design will be supplied.

Types older than 10 years are not entered any more in this list.

S'il s'agit d'une pièce ayant subie des modifications, veuillez indiquer en dehors du numéro de référence de la pièce le numéro de fabrication du compresseur à réparer. Sans ces coordonnées il vous sera livré d'office la pièce la plus récente.

Les types qui sont plus âgés que 10 ans ne figurent plus dans la liste.

	Legende	Legend	Légende
(123 456 78)	Artikel-Nr. in Klammern: nicht mehr lieferbar	Ref. no. in brackets: no more available	Réf. no. entre parenthèses: non plus livrable
(123 456 78)↓	nicht mehr lieferbar, aber austauschbar durch nächste Änderungsstufe	no more available, but interchangeable by next modification step	non plus livrable, mais interchangeable par le prochain no. de modification
[incl. 17,23]	enthält Pos. 17 und 23	containing item 17 and 23	inclus no. 17 et 23
→ 17,23	bereits enthalten in Pos. 17 und 23	already contained in item 17 and 23	déjà contenu dans no. 17 et 23
(23)	Pos.-Nr. in Klammern: nicht in der Zeichnung dargestellt	Item no. in brackets: not shown in the exploded view	pos. no. in brackets: ne sont pas indiquées sur l'éclaté
▼	Fortsetzung der Pos. nächste Seite	Item continued next page	No. continué la page suivante

Die Tabelle zeigt die in dieser Ersatzteilliste enthaltenen Typen und die verwendeten Abkürzungen:

The table shows the types and the abbreviations used in the spare part list:

Le tableau indique les types et les abréviations utilisés dans cette liste de pièces détachées:

LH32E/..	LH32E/2KES-05
LH33E/..	LH32E/2JES-07
	LH33E/2KES-05
	LH33E/2JES-07
	LH33E/2HES-1
	LH33E/2HES-2
	LH33E/2GES-2
LH44E/..	LH44E/2HES-1
LH53E/..	LH44E/2HES-2
	LH44E/2GES-2
	LH44E/2FES-2
	LH44E/2FES-3
	LH44E/2EES-2
	LH53E/2GES-2
	LH53E/2DES-2
LH64E/..	LH64E/2FES-2
LH84E/..	LH64E/2EES-2
LH104E/..	LH64E/2EES-3
	LH64E/2DES-2
	LH64E/2DES-3
	LH64E/2CES-3
	LH64E/4FES-3
	LH64E/4EES-4
	LH84E/2CES-3
	LH84E/2CES-4
	LH84E/4FES-3
	LH84E/4FES-5
	LH84E/4EES-6
	LH84E/4DES-5
	LH84E/4CES-6
	LH104E/2DES-3
	LH104E/2CES-4
	LH104E/4EES-4
	LH104E/4EES-6
	LH104E/4DES-7
	LH104E/4TES-9
	LH104E/S4T-5.2
	LH104E/S4N-8.2

LH114E/..	LH114E/4FES-5
LH124E/..	LH114E/4DES-5
	LH114E/4DES-7
	LH114E/4CES-9
	LH114E/4TES-12
	LH114E/4PES-12
	LH114E/44FES-6
	LH114E/44FES-10
	LH114E/44EES-8
	LH124E/4CES-6
	LH124E/4CES-9
	LH124E/4TES-9
	LH124E/4TES-12
	LH124E/4NES-14
	LH124E/44FES-6
	LH124E/44FES-10
	LH124E/44EES-8
	LH124E/44EES-12
	LH124E/44DES-10
	LH124E/S4G-12.2
LH135E/..	LH135E/4PES-12
	LH135E/4PES-15
	LH135E/4NES-14
	LH135E/4NES-20
	LH135E/44EES-12
	LH135E/44DES-10
	LH135E/44DES-14
	LH135E/44CES-12
	LH135E/44CES-18
	LH135E/4JE-15
	LH135E/4JE-22
	LH135E/4HE-18
	LH135E/4HE-25
	LH135E/4GE-23
	LH135E/6JE-25
	LH135E/6HE-28
	LH135E/S6J-16.2
	LH135E/S6H-20.2
	LH135E/S6G-25.2

LH265E/..	LH265E/4JE-15
	LH265E/4JE-22
	LH265E/4HE-18
	LH265E/4HE-25
	LH265E/4GE-23
	LH265E/4GE-30
	LH265E/4FE-28
	LH265E/4FE-35
	LH265E/6JE-25
	LH265E/6JE-33
	LH265E/6HE-28
	LH265E/6HE-35
	LH265E/6GE-34
	LH265E/6GE-40
	LH265E/S6G-25.2
	LH265E/S6F-30.2



Die Tabelle zeigt die in dieser Ersatzteilliste enthaltenen Typen und die verwendeten Abkürzungen:

The table shows the types and the abbreviations used in the spare part list:

Le tableau indique les types et les abréviations utilisés dans cette liste de pièces détachées:

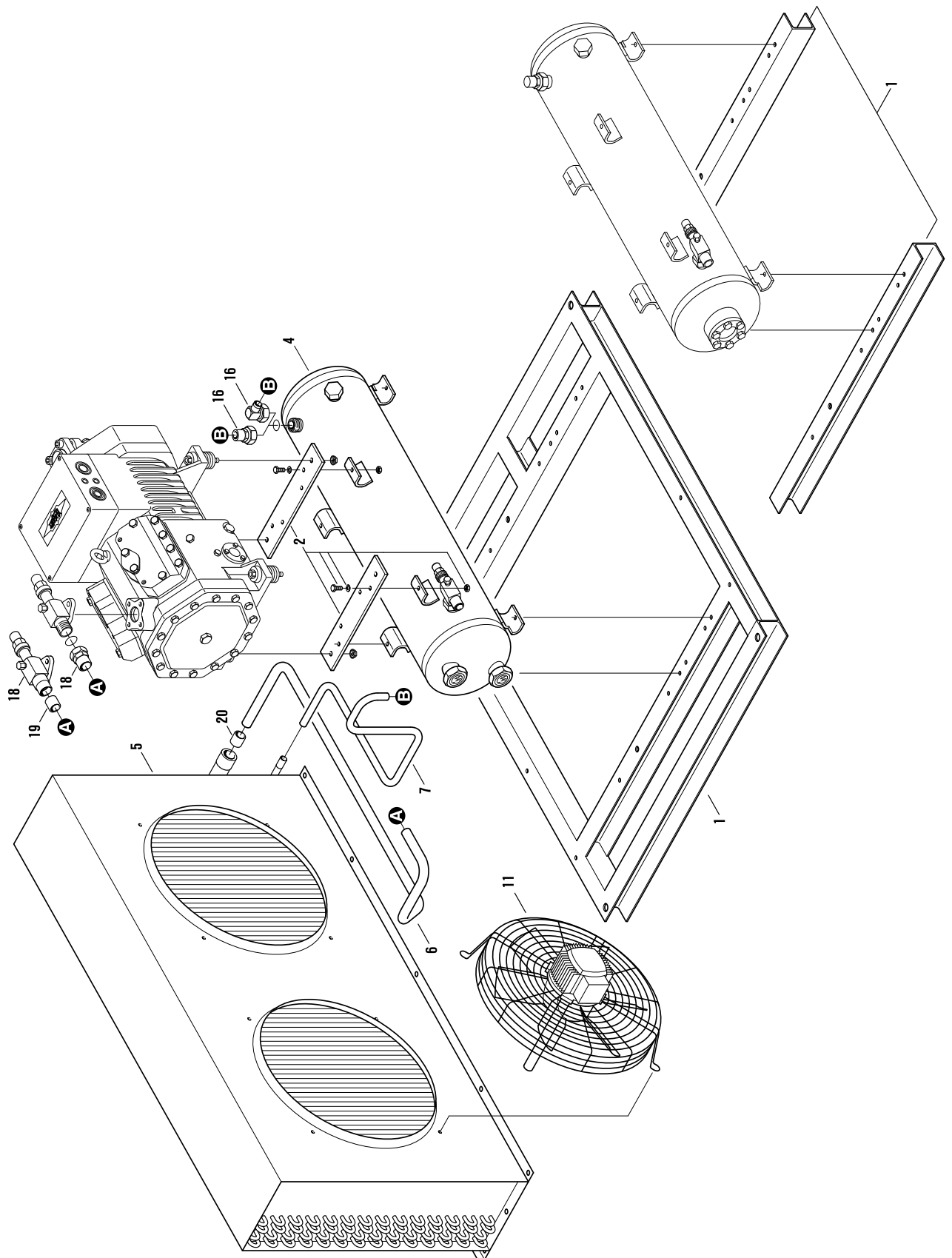
K073H/..	K073H/2KES-05 K073H/2JES-07 K073H/2HES-1 K073H/2HES-2 K073H/2GES-2 K073H/2FES-2
K123H/..	K123H/2FES-3 K123H/2EES-2 K123H/2EES-3 K123H/2DES-2 K123H/2DES-3 K123H/2CES-3
K203H/..	K203H/2CES-4 K203H/4FES-3 K203H/4FES-5 K203H/4EES-4 K203H/4EES-6 K203H/4DES-5 K203H/4CES-6
K283H/..	K283H/4DES-7 K283H/4TES-9
K373H/..	K373H/4CES-9 K373H/4TES-12 K373H/4PES-12 K373H/4NES-14 K373H/S4T-5.2 K373H/S4N-8.2
K573H/..	K573H/4PES-15 K573H/4NES-20 K573H/4JE-15 K573H/4JE-22 K573H/4HE-18 K573H/4GE-23 K573H/6JE-25 K573H/S4G-12.2 K573H/S6J-16.2 K573H/S6H-20.2
K813H/..	K813H/4HE-25 K813H/4GE-30 K813H/6JE-33 K813H/6HE-28 K813H/6GE-34 K813H/S6G-25.2 K813H/S6F-30.2
K1053H/..	K1053H/6HE-35 K1053H/6FE-44
K1353T/..	K1353T/6GE-40 K1353T/6FE-50 K1353T/44HE-36 K1353T/44HE-50 K1353T/44GE-46 K1353T/66JE-50 K1353T/S66J-32.2 K1353T/S66H-40.2 K1353T/S66G-50.2 K1353T/S66F-60.2

K1973T/..	K1973T/44GE-60 K1973T/66JE-66 K1973T/66HE-56 K1973T/66HE-70 K1973T/66GE-68 K1973T/66FE-88
K2923T/..	K2923T/66GE-80 K2923T/66FE-100

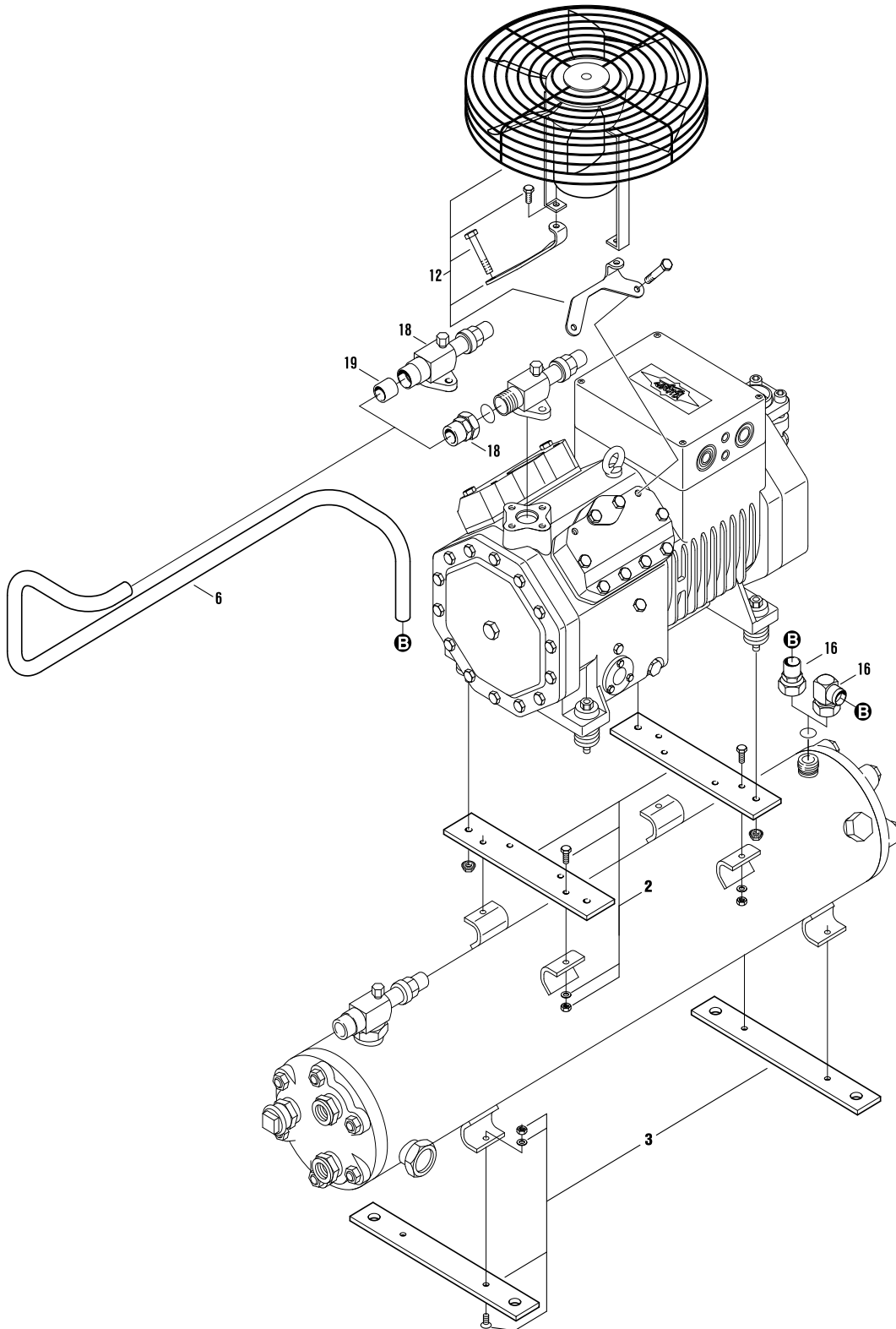
K073HB/..	K073HB/2KES-05 K073HB/2JES-07 K073HB/2HES-1 K073HB/2HES-2 K073HB/2GES-2 K073HB/2FES-2
K123HB/..	K123HB/2FES-3 K123HB/2EES-2 K123HB/2EES-3 K123HB/2DES-2 K123HB/2DES-3 K123HB/2CES-3
K203HB/..	K203HB/2CES-4 K203HB/4FES-3 K203HB/4FES-5 K203HB/4EES-4 K203HB/4EES-6 K203HB/4DES-5 K203HB/4CES-6
K283HB/..	K283HB/4DES-7 K283HB/4TES-9
K373HB/..	K373HB/4CES-9 K373HB/4TES-12 K373HB/4PES-12 K373HB/4NES-14 K373HB/S4T-5.2 K373HB/S4N-8.2

K573HB/..	K573HB/4PES-15 K573HB/4NES-20 K573HB/4JE-15 K573HB/4JE-22 K573HB/4HE-18 K573HB/4GE-23 K573HB/6JE-25 K573HB/S4G-12.2 K573HB/S6J-16.2 K573HB/S6H-20.2
K813HB/..	K813HB/4HE-25 K813HB/4GE-30 K813HB/6JE-33 K813HB/6HE-28 K813HB/6GE-34 K813HB/S6G-25.2 K813HB/S6F-30.2
K1053HB/..	K1053HB/6HE-35 K1053HB/6FE-44
K1353TB/..	K1353TB/6GE-40 K1353TB/6FE-50 K1353TB/44HE-36 K1353TB/44HE-50 K1353TB/44GE-46 K1353TB/66JE-50 K1353TB/S66J-32.2 K1353TB/S66H-40.2 K1353TB/S66G-50.2 K1353TB/S66F-60.2
K1973TB/..	K1973TB/44GE-60 K1973TB/66JE-66 K1973TB/66HE-56 K1973TB/66HE-70 K1973TB/66GE-68 K1973TB/66FE-88
K2923TB/..	K2923TB/66GE-80 K2923TB/66FE-100

LH32E/2KES-05 .. LH265E/S6F-30.2



K073H/2KES-05 .. K2923T/66FE-100
K073HB/2KES-05 .. K2923TB/66FE-100



Pos.	Typ	Stück	Ände- rung	ab Baujahr Mon./Jahr/Nr.	Art. Nr.	Benennung	
Item	Type	Qty.	Modifi- cation	from model month/year/no.	Ref. nr.	Description	
No.	Type	Pièce	Modifi- cation	à partir du modèle mois/année/no.	Réf. no.	Désignation	
1	LH32E/2KES-05 LH32E/2JES-07 LH33E/2KES-05 LH33E/2JES-07 LH33E/2HES-1 LH33E/2HES-2 LH33E/2GES-2 LH44E/2HES-1 LH44E/2HES-2 LH44E/2GES-2 LH44E/2FES-2 LH44E/2FES-3	1			324 924 05	Grundplatte Frame Châssis	605 x 650 x 60
	LH44E/2EES-2	1			324 924 01		700 x 650 x 60
	LH53E/2GES-2 LH53E/2DES-2 LH64E/2FES-2 LH64E/2EES-2 LH64E/2EES-3 LH64E/2DES-2 LH64E/2DES-3 LH64E/2CES-3 LH64E/4FES-3 LH64E/4EES-4 LH84E/2CES-3 LH84E/2CES-4 LH84E/4FES-3 LH84E/4FES-5 LH84E/4EES-6 LH84E/4DES-5 LH84E/4CES-6	1			324 924 06		670 x 1000 x 80
	LH104E/2DES-3 LH104E/2CES-4 LH104E/4EES-4 LH104E/4EES-6 LH104E/4DES-7 LH104E/4TES-9 LH104E/S4T-5.2 LH104E/S4N-8.2	1			326 026 01	Rahmen Frame Châssis	1100 x 920 x 65
	LH114E/4FES-5 LH114E/4DES-5 LH114E/4DES-7 LH114E/4CES-9 LH114E/4TES-12 LH114E/4PES-12 LH114E/44FES-6 LH114E/44FES-10 LH114E/44EES-8	1			326 027 01		1320 x 920 x 65
	LH124E/4CES-6 LH124E/4CES-9 LH124E/4TES-9 LH124E/4TES-12 LH124E/4NES-14 LH124E/44FES-6 LH124E/44FES-10 LH124E/44EES-8 LH124E/44EES-12 LH124E/44DES-10 LH124E/S4G-12.2	1			326 028 01		1550 x 1000 x 90



Pos.	Typ	Stück	Ände- rung	ab Baujahr Mon./Jahr/Nr.	Art. Nr.	Benennung
Item	Type	Qty.	Modifi- cation	from model month/year/no.	Ref. nr.	Description
No.	Type	Pièce	Modifi- cation	à partir du modèle mois/année/no.	Réf. no.	Désignation
	LH135E/4PES-12 LH135E/4PES-15 LH135E/4NES-14 LH135E/4NES-20 LH135E/4JE-15 LH135E/4JE-22 LH135E/4HE-18 LH135E/4HE-25 LH135E/4GE-23 LH135E/6JE-25 LH135E/6HE-28 LH135E/44EES-12 LH135E/44DES-10 LH135E/44DES-14 LH135E/44CES-12 LH135E/44CES-18 LH135E/S6J-16.2 LH135E/S6H-20.2 LH135E/S6G-25.2	1			326 028 01	Rahmen Frame Châssis 1550 x 1000 x 90
	LH265E/4JE-15 LH265E/4JE-22 LH265E/4HE-18 LH265E/4HE-25 LH265E/4GE-23 LH265E/4GE-30 LH265E/4FE-28 LH265E/4FE-35 LH265E/6JE-25 LH265E/6JE-33 LH265E/6HE-28 LH265E/6HE-35 LH265E/6GE-34 LH265E/6GE-40 LH265E/S6G-25.2 LH265E/S6F-30.2	1			326 036 01	2075 x 1050 x 100

Pos.	Typ	Stück	Ände- rung	ab Baujahr Mon./Jahr/Nr.	Art. Nr.	Benennung
Item	Type	Qty.	Modifi- cation	from model month/year/no.	Ref. nr.	Description
No.	Type	Pièce	Modifi- cation	à partir du modèle mois/année/no.	Réf. no.	Désignation
2	LH32E/2KES-05 LH32E/2JES-07 LH33E/2KES-05 LH33E/2JES-07 LH33E/2HES-1 LH33E/2HES-2 LH33E/2GES-2 LH44E/2HES-1 LH44E/2HES-2 LH44E/2GES-2 LH44E/2FES-2 LH44E/2FES-3 LH44E/2EES-2 LH53E/2GES-2 LH53E/2DES-2 LH64E/2FES-2 LH64E/2EES-2 LH64E/2EES-3 LH64E/2DES-2 LH64E/2DES-3 LH64E/2CES-3 LH64E/4FES-3 LH64E/4EES-4 LH84E/2CES-3 LH84E/2CES-4 LH84E/4FES-3 LH84E/4FES-5 LH84E/4EES-6 LH84E/4DES-5 LH84E/4CES-6				—	Befestigungsschienensatz oben kompl. mit Schrauben Fixing rails complete above with screws Rails de fixation complet au dessus, avec vis
	LH104E/2DES-3 LH104E/2CES-4	1			327 301 21	90 x 8 x 240
	LH104E/4EES-4 LH104E/4EES-6 LH104E/4DES-7	1			327 301 22	80 x 8 x 240
	LH104E/4TES-9	1			327 301 24	60 x 8 x 310
	LH104E/S4T-5.2 LH104E/S4N-8.2	1			327 301 09	55 x 8 x 320
	LH114E/4FES-5 LH114E/4DES-5 LH114E/4DES-7 LH114E/4CES-9	1			327 301 22	80 x 8 x 240
	LH114E/4TES-12 LH114E/4PES-12	1			327 301 24	60 x 8 x 310
	LH114E/44FES-6 LH114E/44FES-10 LH114E/44EES-8 LH124E/44FES-6 LH124E/44FES-10 LH124E/44EES-8 LH124E/44EES-12 LH124E/44DES-10 LH135E/44EES-12 LH135E/44DES-10 LH135E/44DES-14 LH135E/44CES-12 LH135E/44CES-18	1			327 301 23	80 x 8 x 240

Pos.	Typ	Stück	Ände- rung	ab Baujahr Mon./Jahr/Nr.	Art. Nr.	Benennung
Item	Type	Qty.	Modifi- cation	from model month/year/no.	Ref. nr.	Description
No.	Type	Pièce	Modifi- cation	à partir du modèle mois/année/no.	Réf. no.	Désignation
	LH124E/4TES-9 LH124E/4TES-12 LH124E/4NES-14 LH135E/4PES-12 LH135E/4PES-15 LH135E/4NES-14 LH135E/4NES-20	1			327 301 24	Befestigungsschienensatz 60 x 8 x 310 oben kompl. mit Schrauben Fixing rails complete above with screws Rails de fixation complet au dessus, avec vis
	LH124E/4CES-6 LH124E/4CES-9	1			327 301 22	80 x 8 x 240
	LH124E/S4G-12.2 LH135E/4JE-15 LH135E/4JE-22 LH135E/4HE-18 LH135E/4HE-25 LH135E/4GE-23 LH135E/6JE-25 LH135E/6HE-28 LH135E/S6J-16.2 LH135E/S6H-20.2 LH135E/S6G-25.2	1			327 301 10	55 x 8 x 360
	LH265E/4JE-15 LH265E/4JE-22 LH265E/4HE-18 LH265E/4HE-25 LH265E/4GE-23 LH265E/4GE-30 LH265E/4FE-28 LH265E/4FE-35 LH265E/6JE-25 LH265E/6JE-33 LH265E/6HE-28 LH265E/6HE-35 LH265E/6GE-34 LH265E/6GE-40 LH265E/S6G-25.2 LH265E/S6F-30.2	1			327 301 55	65 x 12 x 360/460
	K073H/2KES-05 K073H/2JES-07 K073H/2HES-1 K073H/2HES-2 K073H/2GES-2 K073H/2FES-2	1			327 301 12	45 x 6 x 200
	K123H/2FES-3	1			327 301 20	70 x 8 x 200
	K123H/2EES-2 K123H/2EES-3 K123H/2DES-2 K123H/2DES-3 K123H/2CES-3	1			327 301 21	90 x 8 x 240
	K203H/2CES-4 K203H/4FES-3 K203H/4FES-5 K203H/4EES-4 K203H/4EES-6 K203H/4DES-5 K203H/4CES-6 K283H/4DES-7 K373H/4CES-9	1			327 301 22	80 x 8 x 240
	K283H/4TES-9 K373H/4TES-12 K373H/4PES-12 K373H/4NES-14	1			327 301 24	60 x 8 x 310
▼	K573H/4PES-15 K573H/4NES-20	1			327 301 24	60 x 8 x 310

Pos.	Typ	Stück	Ände- rung	ab Baujahr Mon./Jahr/Nr.	Art. Nr.	Benennung	
Item	Type	Qty.	Modifi- cation	from model month/year/no.	Ref. nr.	Description	
No.	Type	Pièce	Modifi- cation	à partir du modèle mois/année/no.	Réf. no.	Désignation	
	K373H/S4T-5.2 K373H/S4N-8.2	1			327 301 09	Befestigungsschienensatz oben kompl. mit Schrauben	55 x 8 x 320
	K573H/4JE-15 K573H/4JE-22 K573H/4HE-18 K573H/4GE-23 K573H/6JE-25 K573H/S4G-12.2 K573H/S6J-16.2 K573H/S6H-20.2 K813H/4HE-25 K813H/4GE-30 K813H/6JE-33 K813H/6HE-28 K813H/6GE-34 K813H/S6G-25.2 K813H/S6F-30.2 K1053H/6HE-35 K1053H/6FE-44 K1353T/6GE-40 K1352T/6FE-50	1			327 301 10	Fixing rails complete above with screws Rails de fixation complet au dessus, avec vis	55 x 8 x 360
	K1353T/44HE-36 K1353T/44HE-50 K1353T/44GE-46 K1353T/66JE-50 K1353T/S66J-32.2 K1353T/S66H-40.2 K1353T/S66G-50.2 K1353T/S66F-60.2 K1973T/44GE-60 K1973T/66JE-66 K1973T/66HE-56 K1973T/66HE-70 K1973T/66GE-68 K1973T/66FE-88 K2923T/66GE-80 K2923T/66FE-100	1			326 055 02	Rahmen Frame Châssis	1417 x 365 x 88
	K073HB/2KES-05 K073HB/2JES-07 K073HB/2HES-1 K073HB/2HES-2 K073HB/2GES-2 K073HB/2FES-2	1			327 301 12	Befestigungsschienensatz oben kompl. mit Schrauben Fixing rails complete above with screws Rails de fixation complet au dessus, avec vis	45 x 6 x 200
	K123HB/2FES-3	1			327 301 20		70 x 8 x 200
	K123HB/2EES-2 K123HB/2EES-3 K123HB/2DES-2 K123HB/2DES-3 K123HB/2CES-3	1			327 301 21		90 x 8 x 240
	K203HB/2CES-4	1			327 301 21		90 x 8 x 240
	K203HB/4FES-3 K203HB/4FES-5 K203HB/4EES-4 K203HB/4EES-6 K203HB/4DES-5 K203HB/4CES-6 K283HB/4DES-7	1			327 301 22		80 x 8 x 240
	K283HB/4TES-9	1			327 301 24		60 x 8 x 310
	K373HB/4CES-9	1			327 301 22		80 x 8 x 240

Pos.	Typ	Stück	Ände- rung	ab Baujahr Mon./Jahr/Nr.	Art. Nr.	Benennung
Item	Type	Qty.	Modifi- cation	from model month/year/no.	Ref. nr.	Description
No.	Type	Pièce	Modifi- cation	à partir du modèle mois/année/no.	Réf. no.	Désignation
	K373HB/4TES-12 K373HB/4PES-12 K373HB/4NES-14	1			327 301 24	Befestigungsschienensatz 60 x 8 x 310 oben kompl. mit Schrauben Fixing rails complete above with screws
	K373HB/S4T-5.2 K373HB/S4N-8.2	1			327 301 09	Rails de fixation complet au dessus, avec vis 55 x 8 x 320
	K573HB/4PES-15 K573HB/4NES-20	1			327 301 24	60 x 8 x 310
	K573HB/4JE-15 K573HB/4JE-22 K573HB/4HE-18 K573HB/4GE-23 K573HB/6JE-25 K573HB/S4G-12.2 K573HB/S6J-16.2 K573HB/S6H-20.2	1			327 301 10	55 x 8 x 360
	K813HB/4HE-25 K813HB/4GE-30 K813HB/6JE-33 K813HB/6HE-28 K813HB/6GE-34 K813HB/S6G-25.2 K813HB/S6F-30.2	1			327 301 10	55 x 8 x 360
	K1053HB/6HE-35 K1053HB/6FE-44	1			327 301 10	55 x 8 x 360
	K1353TB/6GE-40 K1353TB/6FE-50	1			327 301 10	55 x 8 x 360
	K1353TB/44HE-36 K1353TB/44HE-50 K1353TB/44GE-46 K1353TB/66JE-50 K1353TB/S66J-32.2 K1353TB/S66H-40.2 K1353TB/S66G-50.2 K1353TB/S66F-60.2 K1973TB/44GE-60 K1973TB/66JE-66 K1973TB/66HE-56 K1973TB/66HE-70 K1973TB/66GE-68 K1973TB/66FE-88 K2923TB/66GE-80 K2923TB/66FE-100	1			326 057 01	Rahmen 1417 x 365 x 88 Frame Châssis

Pos.	Typ	Stück	Änderung	ab Baujahr Mon./Jahr/Nr.	Art. Nr.	Benennung
Item	Type	Qty.	Modification	from model month/year/no.	Ref. nr.	Description
No.	Type	Pièce	Modification	à partir du modèle mois/année/no.	Réf. no.	Désignation
3	K073H/2KES-05 K073H/2JES-07 K073H/2HES-1 K073H/2HES-2 K073H/2GES-2 K073H/2FES-2	1			327 301 01	Befestigungsschienenatz 45 x 6 x 250 unten kompl. mit Schrauben Fixing rails complete below, with screws Rails de fixation complet en dessous, avec vis
	K123H/2FES-3 K123H/2EES-2 K123H/2EES-3 K123H/2DES-2 K123H/2DES-3 K123H/2CES-3 K203H/2CES-4 K203H/4FES-3 K203H/4FES-5 K203H/4EES-4 K203H/4EES-6 K203H/4DES-5 K203H/4CES-6 K283H/4DES-7 K283H/4TES-9 K373H/4CES-9 K373H/4TES-12 K373H/4PES-12 K373H/4NES-14 K373H/S4T-5.2 K373H/S4N-8.2	1			327 301 04	50 x 8 x 320
	K573H/4PES-15 K573H/4NES-20 K573H/4JE-15 K573H/4JE-22 K573H/4HE-18 K573H/4GE-23 K573H/6JE-25 K573H/S4G-12.2 K573H/S6J-16.2 K573H/S6H-20.2 K813H/4HE-25 K813H/4GE-30 K813H/6JE-33 K813H/6HE-28 K813H/6GE-34 K813H/S6G-25.2 K813H/S6F-30.2	1			327 301 05	50 x 8 x 360
	K1053H/6HE-35 K1053H/6FE-44	1			327 301 06	130 x 8 x 360
	K1353T/6GE-40 K1353T/6FE-50 K1353T/44HE-36 K1353T/44HE-50 K1353T/44GE-46 K1353T/66JE-50 K1353T/S66J-32.2 K1353T/S66H-40.2 K1353T/S66G-50.2 K1353T/S66F-60.2	1			324 025 05	U 70 x 70 x 6 x 360
	K1973T/44GE-60 K1973T/66JE-66 K1973T/66HE-56 K1973T/66HE-70 K1973T/66GE-68 K1973T/66FE-88	1			324 025 02	U 70 x 140 x 6 x 360
	K2923T/66GE-80 K2923T/66FE-100	1			324 025 03	U 80 x 160 x 6 x 420

Pos.	Typ	Stück	Ände- rung	ab Baujahr Mon./Jahr/Nr.	Art. Nr.	Benennung
Item	Type	Qty.	Modifi- cation	from model month/year/no.	Ref. nr.	Description
No.	Type	Pièce	Modifi- cation	à partir du modèle mois/année/no.	Réf. no.	Désignation
	K073HB/2KES-05 K073HB/2JES-07 K073HB/2HES-1 K073HB/2HES-2 K073HB/2GES-2 K073HB/2FES-2	1			327 301 01	Befestigungsschienensatz 45 x 6 x 250 unten kompl. mit Schrauben Fixing rails complete below, with screws Rails de fixation complet en dessous, avec vis
	K123HB/2FES-3 K123HB/2EES-2 K123HB/2EES-3 K123HB/2DES-2 K123HB/2DES-3 K123HB/2CES-3	1			324 025 07	U 65 x 50 x 5 x 320
	K203HB/2CES-4 K203HB/4FES-3 K203HB/4FES-5 K203HB/4EES-4 K203HB/4EES-6 K203HB/4DES-5 K203HB/4CES-6	1			324 025 07	U 65 x 50 x 5 x 320
	K283HB/4DES-7 K283HB/4TES-9	1			324 025 07	U 65 x 50 x 5 x 320
	K373HB/4CES-9 K373HB/4TES-12 K373HB/4PES-12 K373HB/4NES-14 K373HB/S4T-5.2 K373HB/S4N-8.2	1			324 025 07	U 65 x 50 x 5 x 320
	K573HB/4PES-15 K573HB/4NES-20 K573HB/4JE-15 K573HB/4JE-22 K573HB/4HE-18 K573HB/4GE-23 K573HB/6JE-25 K573HB/S4G-12.2 K573HB/S6J-16.2 K573HB/S6H-20.2	1			324 025 05	U 70 x 70 x 6 x 360
	K813HB/4HE-25 K813HB/4GE-30 K813HB/6JE-33 K813HB/6HE-28 K813HB/6G-34 K813HB/S6G-25.2 K813HB/S6F-30.2	1			324 025 05	U 70 x 70 x 6 x 360
	K1053HB/6HE-35 K1053HB/6FE-44	1			324 025 05	U 70 x 70 x 6 x 360
	K1353TB/6GE-40 K1353TB/6FE-50 K1353TB/44HE-36 K1353TB/44HE-50 K1353TB/44GE-46 K1353TB/66JE-50 K1353TB/S66J-32.2 K1353TB/S66H-40.2 K1353TB/S66G-50.2 K1353TB/S66F-60.2	1			324 025 05	U 70 x 70 x 6 x 360
	K1973TB/44GE-60 K1973TB/66JE-66 K1973TB/66HE-56 K1973TB/66HE-70 K1973TB/66GE-68 K1973TB/66FE-88	1			324 025 02	U 70 x 140 x 6 x 360
	K2923TB/66GE-80 K2923TB/66FE-100	1			324 025 03	U 80 x 160 x 6 x 240

Pos.	Typ	Stück	Ände- rung	ab Baujahr Mon./Jahr/Nr.	Art. Nr.	Benennung
Item	Type	Qty.	Modifi- cation	from model month/year/no.	Ref. nr.	Description
No.	Type	Pièce	Modifi- cation	à partir du modèle mois/année/no.	Réf. no.	Désignation
4	LH32E/2KES-05 LH32E/2JES-07 LH33E/2KES-05 LH33E/2JES-07 LH33E/2HES-1 LH33E/2HES-2 LH33E/2GES-2	1			FS36*)	Flüssigkeitssammler Liquid receiver Réservoir de liquide
	LH44E/2HES-1 LH44E/2HES-2 LH44E/2GES-2 LH44E/2FES-2 LH44E/2FES-3 LH44E/2EES-2	1			FS56*)	*) Siehe Maschinenpreisliste see machine price list voir prix-tarif machines
	LH53E/2GES-2 LH53E/2DES-2					
	LH64E/2FES-2 LH64E/2EES-2 LH64E/2EES-3 LH64E/2DES-2 LH64E/2DES-3 LH64E/2CES-3 LH64E/4FES-3 LH64E/4EES-4	1			FS76*)	
	LH84E/2CES-3 LH84E/2CES-4 LH84E/4FES-3 LH84E/4FES-5 LH84E/4EES-6 LH84E/4DES-5 LH84E/4CES-6	1			FS126*)	
	LH104E/2DES-3 LH104E/2CES-4 LH104E/4EES-4 LH104E/4EES-6 LH104E/4DES-7 LH104E/4TES-9 LH104E/S4T-5.2 LH104E/S4N-8.2	1			F 152H*)	
	LH114E/4FES-5 LH114E/4DES-5 LH114E/4DES-7 LH114E/4CES-9 LH114E/4TES-12 LH114E/4PES-12					
	LH114E/44FES-6 LH114E/44FES-10 LH114E/44EES-8	1			F 192T*)	
	LH124E/4CES-6 LH124E/4CES-9 LH124E/4TES-9 LH124E/4TES-12 LH124E/4NES-14 LH124E/S4G-12.2	1			F 302H*)	
	LH124E/44FES-6Y LH124E/44FES-10Y LH124E/44EES-8Y LH124E/44EES-12Y LH124E/44DES-10Y	1			F 392T*)	

Pos.	Type	Stück	Ände- rung	ab Baujahr Mon./Jahr/Nr.	Art. Nr.	Benennung
Item	Type	Qty.	Modifi- cation	from model month/year/no.	Ref. nr.	Description
No.	Type	Pièce	Modifi- cation	à partir du modèle mois/année/no.	Réf. no.	Désignation
	LH135E/4PES-12 LH135E/4PES-15 LH135E/4NES-14 LH135E/4NES-20 LH135E/4JE-15 LH135E/4JE-22 LH135E/4HE-18 LH135E/4HE-25 LH135E/4GE-23 LH135E/6JE-25 LH135E/6HE-28 LH135E/S6J-16.2 LH135E/S6H-20.2 LH135E/S6G-25.2	1			F 302H*)	Flüssigkeitssammler Liquid receiver Réservoir de liquide
	LH135E/44EES-12 LH135E/44DES-10 LH135E/44DES-14 LH135E/44CES-12 LH135E/44CES-18	1			F 392T*)	
	LH265E/4JE-15 LH265E/4JE-22 LH265E/4HE-18 LH265E/4HE-25 LH265E/4GE-23 LH265E/4GE-30 LH265E/4FE-28 LH265E/4FE-35 LH265E/6JE-25 LH265E/6JE-33 LH265E/6HE-28 LH265E/6HE-35 LH265E/6GE-34 LH265E/6GE-40 LH265E/S6G-25.2 LH265E/S6F-30.2	1			F 402H*)	

*) Siehe Maschinenpreisliste
see machine price list
voir prix-tarif machines

Pos.	Typ	Stück	Ände- rung	ab Baujahr Mon./Jahr/Nr.	Art. Nr.	Benennung	
Item	Type	Qty.	Modifi- cation	from model month/year/no.	Ref. nr.	Description	
No.	Type	Pièce	Modifi- cation	à partir du modèle mois/année/no.	Réf. no.	Désignation	
5	LH32E/2KES-05 LH32E/2JES-07	1			350 540 01	Verflüssiger, luftgekühlt Air-cooled condenser Condenseur à air	2 R, 400 x 400
	LH33E/2KES-05 LH33E/2JES-07 LH33E/2HES-1 LH33E/2HES-2 LH33E/2GES-2	1			350 541 01		3 R, 400 x 400
	LH44E/2HES-1 LH44E/2HES-2 LH44E/2GES-2 LH44E/2FES-2 LH44E/2FES-3 LH44E/2EES-2	1			350 542 01		4 R, 450 x 440
	LH53E/2GES-2 LH53E/2DES-2	1			350 543 01		3 R, 700 x 450
	LH64E/2FES-2 LH64E/2EES-2 LH64E/2EES-3 LH64E/2DES-2 LH64E/2DES-3 LH64E/2CES-3 LH64E/4FES-3 LH64E/4EES-4	1			350 544 01		4 R, 700 x 600
	LH84E/2CES-3 LH84E/2CES-4 LH84E/4FES-3 LH84E/4FES-5 LH84E/4EES-6 LH84E/4DES-5 LH84E/4CES-6	1			350 546 01		4 R, 800 x 750
	LH104E/2DES-3 LH104E/2CES-4 LH104E/4EES-4 LH104E/4EES-6 LH104E/4DES-7 LH104E/4TES-9 LH104E/S4T-5.2 LH104E/S4N-8.2	1			350 547 01		4 R, 1100 x 656
	LH114E/4FES-5 LH114E/4DES-5 LH114E/4DES-7 LH114E/4CES-9 LH114E/4TES-12 LH114E/4PES-12 LH114E/44FES-6 LH114E/44FES-10 LH114E/44EES-8	1			350 548 01		4 R, 1310 x 706
	LH124E/4CES-6 LH124E/4CES-9 LH124E/4TES-9 LH124E/4TES-12 LH124E/4NES-14 LH124E/44FES-6 LH124E/44FES-10 LH124E/44EES-8 LH124E/44EES-12 LH124E/44DES-10 LH124E/S4G-12.2	1			350 549 01		4 R, 1550 x 756

Pos.	Typ	Stück	Ände- rung	ab Baujahr Mon./Jahr/Nr.	Art. Nr.	Benennung
Item	Type	Qty.	Modifi- cation	from model month/year/no.	Ref. nr.	Description
No.	Type	Pièce	Modifi- cation	à partir du modèle mois/année/no.	Réf. no.	Désignation
	LH135E/4PES-12 LH135E/4PES-15 LH135E/4NES-14 LH135E/4NES-20 LH135E/44EES-12 LH135E/44DES-10 LH135E/44DES-14 LH135E/44CES-12 LH135E/44CES-18 LH135E/4JE-15 LH135E/4JE-22 LH135E/4HE-18 LH135E/4HE-25 LH135E/4GE-23 LH135E/6JE-25 LH135E/6HE-28 LH135E/S6J-16.2 LH135E/S6H-20.2 LH135E/S6G-25.2	1			350 550 01	Verflüssiger, luftgekühlt Air-cooled condenser Condenseur à air 5 R, 1550 x 906
	LH265E/4JE-15 LH265E/4JE-22 LH265E/4HE-18 LH265E/4HE-25 LH265E/4GE-23 LH265E/4GE-30 LH265E/4FE-28 LH265E/4FE-35 LH265E/6JE-25 LH265E/6JE-33 LH265E/6HE-28 LH265E/6HE-35 LH265E/6GE-34 LH265E/6GE-40 LH265E/S6G-25.2 LH265E/S6F-30.2	1			350 536 01	3 R, 1950 x 1200
6	LH32E/2KES-05 LH32E/2JES-07 LH33E/2KES-05 LH33E/2JES-07 LH33E/2HES-1 LH33E/2HES-2 LH33E/2GES-2 LH44E/2HES-1 LH44E/2HES-2 LH44E/2GES-2 LH44E/2FES-2 LH44E/2FES-3	1			360 310 61	Druckleitung Discharge line Conduite de refoulement Ø 12
	LH44E/2EES-2	1			360 310 70	Ø 12
	LH53E/2GES-2	1			360 310 65	Ø 12
	LH53E/2DES-2	1			360 310 72	Ø 12
	LH64E/2FES-2	1			360 310 68	Ø 12
	LH64E/2EES-2 LH64E/2EES-3 LH64E/2DES-2 LH64E/2DES-3 LH64E/2CES-3	1			360 320 99	Ø 16
	LH64E/4FES-3 LH64E/4EES-4	1			364 320 04	Ø 16
	LH84E/2CES-3 LH84E/2CES-4	1			360 320 99	Ø 16
	LH84E/4FES-3 LH84E/4FES-5 LH84E/4EES-6	1			364 320 04	Ø 16

Pos.	Typ	Stück	Ände- rung	ab Baujahr Mon./Jahr/Nr.	Art. Nr.	Benennung	
Item	Type	Qty.	Modifi- cation	from model month/year/no.	Ref. nr.	Description	
No.	Type	Pièce	Modifi- cation	à partir du modèle mois/année/no.	Réf. no.	Désignation	
	LH84E/4DES-5 LH84E/4CES-6	1			360 320 96	Druckleitung Discharge line	Ø 16
	LH104E/2DES-3 LH104E/2CES-4	1			363 320 73	Conduite de refoulement	Ø 16
	LH104E/4EES-4 LH104E/4EES-6 LH104E/4DES-7	1			363 320 03		Ø 16
	LH104E/4TES-9	1			363 350 86		Ø 28
	LH104E/S4T-5.2 LH104E/S4N-8.2	1			360 343 25	Druckleitung mit Schall- dämpfer Discharge line with muffler Conduite de refoulement avec amortisseur de broi	Ø 22
	LH114E/4FES-5 LH114E/4DES-5 LH114E/4DES-7 LH114E/4CES-9	1			363 340 23	Druckleitung Discharge line Conduite de refoulement	Ø 22
	LH114E/4TES-12 LH114E/4PES-12	1			363 350 87		Ø 28
	LH114E/44FES-6 LH114E/44FES-10 LH114E/44EES-8	1			363 329 05		Ø 22
	LH124E/4CES-6 LH124E/4CES-9	1			364 340 06		Ø 22
	LH124E/4TES-9 LH124E/4TES-12 LH124E/4NES-14	1			363 350 88		Ø 28
	LH124E/44FES-6 LH124E/44FES-10 LH124E/44EES-8 LH124E/44EES-12	1			363 329 01		Ø 22
	LH124E/44DES-10	1			363 349 01		Ø 28
	LH124E/S4G-12.2	1			360 353 18	Druckleitung mit Schall- dämpfer Discharge line with muffler Conduite de refoulement avec amortisseur de broi	Ø 28
	LH135E/4PES-12 LH135E/4PES-15 LH135E/4NES-14 LH135E/4NES-20	1			363 350 88	Druckleitung Discharge line Conduite de refoulement	Ø 28
	LH135E/44EES-12 LH135E/44DES-10 LH135E/44DES-14 LH135E/44CES-12 LH135E/44CES-18	1			363 349 01		Ø 28
	LH135E/4JE-15 LH135E/4JE-22 LH135E/4HE-18 LH135E/4HE-25 LH135E/4GE-23	1			360 354 28	Druckleitung mit Schall- dämpfer Discharge line with muffler Conduite de refoulement avec amortisseur de broi	Ø 28
	LH135E/6JE-25 LH135E/6HE-28	1			360 362 21		Ø 35
	LH135E/S6J-16.2 LH135E/S6H-20.2 LH135E/S6G-25.2	1			360 353 15	Druckleitung Discharge line Conduite de refoulement	Ø 28

Pos.	Typ	Stück	Ände- rung	ab Baujahr Mon./Jahr/Nr.	Art. Nr.	Benennung
Item	Type	Qty.	Modifi- cation	from model month/year/no.	Ref. nr.	Description
No.	Type	Pièce	Modifi- cation	à partir du modèle mois/année/no.	Réf. no.	Désignation
	LH265E/4JE-15 LH265E/4JE-22 LH265E/4HE-18 LH265E/4HE-25 LH265E/4GE-23 LH265E/4GE-30 LH265E/4FE-28 LH265E/4FE-35	1			360 351 34	Druckleitung Discharge line Conduite de refoulement Ø 35
	LH265E/6JE-25 LH265E/6JE-33 LH265E/6HE-28 LH265E/6HE-35 LH265E/6GE-34 LH265E/6GE-40	1			360 361 35	Ø 35
	LH265E/S6G-25.2 LH265E/S6F-30.2	1			360 361 36	Ø 35
	K073H/2KES-05 K073H/2JES-07 K073H/2HES-1 K073H/2HES-2 K073H/2GES-2 K073H/2FES-2	1			360 310 49	Ø 12
	K123H/2FES-3	1			360 310 77	Ø 12
	K123H/2EES-2 K123H/2EES-3 K123H/2DES-2 K123H/2DES-3 K123H/2CES-3	1			360 320 88	Ø 16
	K203H/2CES-4	1			360 320 89	Ø 16
	K203H/4FES-3 K203H/4FES-5 K203H/4EES-4 K203H/4EES-6	1			360 320 90	Ø 16
	K203H/4DES-5 K203H/4CES-6	1			363 340 17	Ø 22
	K283H/4DES-7					
	K283H/4TES-9	1			363 350 96	Ø 28
	K373H/4CES-9	1			363 340 84	Ø 22
	K373H/4TES-12 K373H/4PES-12 K373H/4NES-14	1			360 352 34	Ø 28
	K373H/S4T-5.2 K373H/S4N-8.2	1			360 343 14	Druckleitung mit Schall- dämpfer Discharge line with muffler Conduite de refoulement avec amortisseur de bruit Ø 22
	K573H/4PES-15 K573H/4NES-20	1			360 351 33	Druckleitung Discharge line Conduite de refoulement Ø 28
	K573H/4JE-15 K573H/4JE-22 K573H/4HE-18 K573H/4GE-23	1			364 350 46	Ø 28
	K813H/4HE-25 K813H/4GE-30					
	K573H/6JE-25Y	1			360 360 96	Ø 35
	K573H/S4G-12.2Y	1			360 358 20	Druckleitung mit Schall- dämpfer Discharge line with muffler Conduite de refoulement avec amortisseur de bruit Ø 28
	K573H/S6J-16.2 K573H/S6H-20.2	1			360 358 19	Ø 28

Pos.	Typ	Stück	Ände- rung	ab Baujahr Mon./Jahr/Nr.	Art. Nr.	Benennung	
Item	Type	Qty.	Modifi- cation	from model month/year/no.	Ref. nr.	Description	
No.	Type	Pièce	Modifi- cation	à partir du modèle mois/année/no.	Réf. no.	Désignation	
	K813H/6JE-33 K813H/6HE-28 K813H/6GE-34	1			360 360 96	Druckleitung Discharge line Conduite de refoulement	Ø 35
	K813H/S6G-25.2 K813H/S6F-30.2	1			360 358 19	Druckleitung mit Schall- dämpfer Discharge line with muffler Conduite de refoulement avec amortisseur de bruit	Ø 28
	K1053H/6HE-35	1			363 360 10	Druckleitung Discharge line	Ø 35
	K1053H/6FE-44	1			360 370 15	Conduite de refoulement	Ø 42
	K1353T/6GE-40	1			363 360 10		Ø 35
	K1353T/6FE-50	1			360 370 15		Ø 42
	K1353T/44HE-36	1			360 359 01	Druckleitung mit Schall- dämpfer Discharge line with muffler	Ø 28
	K1353T/44HE-50 K1353T/44GE-46	1			360 359 02	Conduite de refoulement avec amortisseur de bruit	Ø 28
	K1353T/66JE-50	1			360 369 08		Ø 35
	K1353T/S66J-32.2 K1353T/S66H-40.2 K1353T/S66G-50.2 K1353T/S66F-60.2	1			360 358 29		Ø 28
	K1973T/44GE-60	1			360 359 02		Ø 28
	K1973T/66JE-66 K1973T/66HE-56 K1973T/66HE-70 K1973T/66GE-68	1			360 369 09		Ø 35
	K1973T/66FE-88	1			360 379 03		Ø 42
	K2923T/66GE-80	1			360 369 09		Ø 35
	K2923T/66FE-100	1			360 379 03		Ø 42
	K073HB/2KES-05 K073HB/2JES-07 K073HB/2HES-1 K073HB/2HES-2 K073HB/2GES-2 K073HB/2FES-2	1			360 310 49	Druckleitung Discharge line Conduite de refoulement	Ø 12
	K123HB/2FES-3	1			360 310 77		Ø 12
	K123HB/2EES-2 K123HB/2EES-3 K123HB/2DES-2 K123HB/2DES-3 K123HB/2CES-3	1			360 320 88		Ø 16
	K203HB/2CES-4	1			360 320 89		Ø 16
	K203HB/4FES-3 K203HB/4FES-5 K203HB/4EES-4 K203HB/4EES-6	1			360 320 90		Ø 16
	K203HB/4DES-5 K203HB/4CES-6	1			363 340 17		Ø 22
	K283HB/4DES-7	1			363 340 17		Ø 22
	K283HB/4TES-9	1			363 350 96		Ø 28
	K373HB/4CES-9	1			363 340 84		Ø 22
	K373HB/4TES-12 K373HB/4PES-12 K373HB/4NES-14	1			363 360 97		Ø 28

Pos.	Typ	Stück	Ände- rung	ab Baujahr Mon./Jahr/Nr.	Art. Nr.	Benennung	
Item	Type	Qty.	Modifi- cation	from model month/year/no.	Ref. nr.	Description	
No.	Type	Pièce	Modifi- cation	à partir du modèle mois/année/no.	Réf. no.	Désignation	
	K373HB/S4T-5.2 K373HB/S4N-8.2	1			360 348 18	Druckleitung mit Schall- dämpfer Discharge line with muffler Conduite de refoulement avec amortisseur de bruit	Ø 22
	K573HB/4PES-15 K573HB/4NES-20	1			360 351 33	Druckleitung Discharge line Conduite de refoulement	Ø 28
	K573HB/4JE-15 K573HB/4JE-22 K573HB/4HE-18 K573HB/4GE-23	1			364 350 46		Ø 28
	K573HB/6JE-25	1			360 360 96		Ø 35
	K573HB/S4G-12.2	1			360 358 20	Druckleitung mit Schall- dämpfer	Ø 28
	K573HB/S6J-16.2 K573HB/S6H-20.2	1			360 358 19	Discharge line with muffler Conduite de refoulement avec amortisseur de bruit	Ø 28
	K813HB/4HE-25 K813HB/4GE-30	1			364 350 46	Druckleitung Discharge line Conduite de refoulement	Ø 28
	K813HB/6JE-33 K813HB/6HE-28 K813HB/6GE-34	1			360 360 96		Ø 35
	K813HB/S6G-25.2 K813HB/S6F-30.2	1			360 358 19	Druckleitung mit Schall- dämpfer Discharge line with muffler Conduite de refoulement avec amortisseur de bruit	Ø 28
	K1053HB/6HE-35	1			363 360 10	Druckleitung Discharge line Conduite de refoulement	Ø 35
	K1053HB/6FE-44	1			360 370 15		Ø 42
	K1353TB/6GE-40	1			363 360 10		Ø 35
	K1353TB/6FE-50	1			360 370 15		Ø 42
	K1353TB/44HE-36	1			360 359 01	Druckleitung mit Schall- dämpfer	Ø 28
	K1353TB/44HE-50 K1353TB/44GE-46	1			360 359 02	Discharge line with muffler Conduite de refoulement	Ø 28
	K1353TB/66JE-50	1			360 369 08	avec amortisseur de bruit	Ø 35
	K1353TB/S66J-32.2 K1353TB/S66H-40.2 K1353TB/S66G-50.2 K1353TB/S66F-60.2	1			360 358 29		Ø 28
	K1973TB/44GE-60	1			360 359 02		Ø 28
	K1973TB/66JE-66 K1973TB/66HE-56 K1973TB/66HE-70 K1973TB/66GE-68	1			360 369 09		Ø 35
	K1973TB/66FE-88	1			360 379 03		Ø 42
	K2923TB/66GE-80	1			360 369 09		Ø 35
	K2923TB/66FE-100	1			360 379 03		Ø 42

Pos.	Type	Stück	Ände- rung	ab Baujahr Mon./Jahr/Nr.	Art. Nr.	Benennung	
Item	Type	Qty.	Modifi- cation	from model month/year/no.	Ref. nr.	Description	
No.	Type	Pièce	Modifi- cation	à partir du modèle mois/année/no.	Réf. no.	Désignation	
7	LH32E/2KES-05 LH32E/2JES-07	1			360 300 23	Kondensationsleitung Condensate line Conduite de condensat	Ø 10
	LH33E/2KES-05 LH33E/2JES-07 LH33E/2HES-1 LH33E/2HES-2 LH33E/2GES-2						
	LH44E/2HES-1 LH44E/2HES-2 LH44E/2GES-2 LH44E/2FES-2 LH44E/2FES-3	1			360 300 24		Ø 10
	LH44E/2EES-2	1			360 300 25		Ø 10
	LH53E/2GES-2 LH53E/2DES-2	1			360 300 17		Ø 10
	LH64E/2FES-2 LH64E/2EES-2 LH64E/2EES-3 LH64E/2DES-2 LH64E/2DES-3 LH64E/2CES-3 LH64E/4FES-3 LH64E/4EES-4	1			360 310 20		Ø 12
	LH84E/2CES-3 LH84E/2CES-4 LH84E/4FES-3 LH84E/4FES-5 LH84E/4EES-6 LH84E/4DES-5 LH84E/4CES-6	1			360 310 58		Ø 12
	LH104E/2DES-3 LH104E/2CES-4 LH104E/4EES-4 LH104E/4EES-6 LH104E/4DES-7 LH104E/4TES-9 LH104E/S4T-5.2 LH104E/S4N-8.2	1			360 320 44		Ø 16
	LH114E/4FES-5 LH114E/4DES-5 LH114E/4DES-7 LH114E/4CES-9 LH114E/4TES-12 LH114E/4PES-12	1			360 320 45		Ø 16
	LH114/44FES-6 LH114/44FES-10 LH114/44EES-8	1			363 320 61		Ø 16



Pos.	Type	Stück	Ände- rung	ab Baujahr Mon./Jahr/Nr.	Art. Nr.	Benennung
Item	Type	Qty.	Modifi- cation	from model month/year/no.	Ref. nr.	Description
No.	Type	Pièce	Modifi- cation	à partir du modèle mois/année/no.	Réf. no.	Désignation
	LH124E/4CES-6 LH124E/4CES-9 LH124E/4TES-9 LH124E/4TES-12 LH124E/4NES-14 LH124E/S4G-12.2 LH135E/4PES-12 LH135E/4PES-15 LH135E/4NES-14 LH135E/4NES-20 LH135E/4JE-15 LH135E/4JE-22 LH135E/4HE-18 LH135E/4HE-25 LH135E/4GE-23 LH135E/6JE-25 LH135E/6HE-28 LH135E/S6J-16.2 LH135E/S6H-20.2 LH135E/S6G-25.2	1			360 340 48	Kondensationsleitung Ø 22 Condensate line Conduite de condensat
	LH124E/44FES-6 LH124E/44FES-10 LH124E/44EES-8 LH124E/44EES-12 LH124E/44DES-10 LH135E/44EES-12 LH135E/44DES-10 LH135E/44DES-14 LH135E/44CES-12 LH135E/44CES-18	1			363 340 66	Ø 22
	LH265E/4JE-15 LH265E/4JE-22 LH265E/4HE-18 LH265E/4HE-25 LH265E/4GE-23 LH265E/4GE-30 LH265E/4FE-28 LH265E/4FE-35 LH265E/6JE-25Y LH265E/6JE-33Y LH265E/6HE-28Y LH265E/6HE-35Y LH265E/6GE-34Y LH265E/6GE-40Y LH265E/S6G-25.2Y LH265E/S6F-30.2Y	1			364 350 56	Ø 28

Pos.	Typ	Stück	Ände- rung	ab Baujahr Mon./Jahr/Nr.	Art. Nr.	Benennung	
Item	Type	Qty.	Modifi- cation	from model month/year/no.	Ref. nr.	Description	
No.	Type	Pièce	Modifi- cation	à partir du modèle mois/année/no.	Réf. no.	Désignation	
11	LH32E/2KES-05 LH32E/2JES-07	1			343 023 01	Lüfter komplett mit Flügel und Schutzkorb Fan complete Ventilateur complete	S3G 350 - AN 01 - 34
	LH33E/2KES-05 LH33E/2JES-07 LH33E/2HES-1 LH33E/2HES-2 LH33E/2GES-2						
	LH44E/2HES-1 LH44E/2HES-2 LH44E/2GES-2 LH44E/2FES-2 LH44E/2FES-3 LH44E/2EES-2						
	LH53E/2GES-2 LH53E/2DES-2	1			343 023 06		S3G 350 - AN 01 - 35
	LH64E/2FES-2 LH64E/2EES-2 LH64E/2EES-3 LH64E/2DES-2 LH64E/2DES-3 LH64E/2CES-3 LH64E/4FES-3 LH64E/4EES-4	1			343 023 02		S3G 450 - LL 03 - H7
	LH84E/2CES-3 LH84E/2CES-4 LH84E/4FES-3 LH84E/4FES-5 LH84E/4EES-6 LH84E/4DES-5 LH84E/4CES-6						
	LH104E/2DES-3 LH104E/2CES-4 LH104E/4EES-4 LH104E/4EES-6 LH104E/4DES-7 LH104E/4TES-9 LH104E/S4T-5.2 LH104E/S4N-8.2	2			343 023 02		S3G 450 - LL 03 - H7
	LH114E/4FES-5 LH114E/4DES-5 LH114E/4DES-7 LH114E/4CES-9 LH114E/4TES-12 LH114E/4PES-12 LH114E/44FES-6 LH114E/44FES-10 LH114E/44EES-8						

Pos.	Typ	Stück	Ände- rung	ab Baujahr Mon./Jahr/Nr.	Art. Nr.	Benennung	
Item	Type	Qty.	Modifi- cation	from model month/year/no.	Ref. nr.	Description	
No.	Type	Pièce	Modifi- cation	à partir du modèle mois/année/no.	Réf. no.	Désignation	
	LH124E/4CES-6 LH124E/4CES-9 LH124E/4TES-9 LH124E/4TES-12 LH124E/4NES-14 LH124E/44FES-6 LH124E/44FES-10 LH124E/44EES-8 LH124E/44EES-12 LH124E/44DES-10 LH124E/S4G-12.2	2			343 023 02	Lüfter komplett mit Flügel und Schutzkorb Fan complete Ventilateur complete	S3G 450 - LL 03 - H7
	LH135E/4PES-12 LH135E/4PES-15 LH135E/4NES-14 LH135E/4NES-20 LH135E/44EES-12 LH135E/44DES-10 LH135E/44DES-14 LH135E/44CES-12 LH135E/44CES-18 LH135E/4JE-15 LH135E/4JE-22 LH135E/4HE-18 LH135E/4HE-25 LH135E/4GE-23 LH135E/6JE-25 LH135E/6HE-28 LH135E/S6J-16.2 LH135E/S6H-20.2 LH135E/S6G-25.2	2			343 023 14		S3G 500 - AM 06 - H7
	LH265E/4JE-15 LH265E/4JE-22 LH265E/4HE-18 LH265E/4HE-25 LH265E/4GE-23 LH265E/4GE-30 LH265E/4FE-28 LH265E/4FE-35 LH265E/6JE-25 LH265E/6JE-33 LH265E/6HE-28 LH265E/6HE-35 LH265E/6GE-34 LH265E/6GE-40 LH265E/S6G-25.2 LH265E/S6F-30.2	2			343 023 15		S6D 710 - BH 0109
12	2KES-... - 2FES-... 2EES-... - 2CES-... 4FES-... - 4CES-... 4VES-... - 4NES-... 4JE-... - 4FE-... 4JE-... - 4FE-... 6JE-... - 6FE-... 6JE-... - 6FE-...	1 1 1 1 1 1 1 1		ca. 04/13 ca. 04/13	343 021 01*) 343 021 26*) 343 021 29*) 343 021 27*) 343 021 04*) 343 021 22*) 343 021 05*) 343 021 23*)	Zusatzlüfter komplett mit Befestigungsmaterial Additional fans, with fastening material. Ventilateurs additionales, avec material de tension. *) Siehe Maschinenpreisliste see machine price list voir prix-tarif machine	230V/1/50/60 Hz 230V/1/50/60 Hz 230V/1/50/60 Hz 230V/1/50/60 Hz 230/400V/3/50/60 Hz 230/400V/3/50/60 Hz 230/400V/3/50/60 Hz 230/400V/3/50/60 Hz

Pos.	Type	Stück	Ände- rung	ab Baujahr Mon./Jahr/Nr.	Art. Nr.	Benennung
Item	Type	Qty.	Modifi- cation	from model month/year/no.	Ref. nr.	Description
No.	Type	Pièce	Modifi- cation	à partir du modèle mois/année/no.	Réf. no.	Désignation
(14)	LH32E/2KES-05 LH32E/2JES-07	1			358 401 13*)	Wetterschutzgehäuse Housed unit Un capotage de protection contre les intempéries
	LH33E/2KES-05 LH33E/2JES-07 LH33E/2HES-1 LH33E/2HES-2 LH33E/2GES-2					*) Siehe Maschinenpreisliste see machine price list voir prix-tarif machine
	LH44E/2HES-1 LH44E/2HES-2 LH44E/2GES-2 LH44E/2FES-2 LH44E/2FES-3	1			358 401 14*)	
	LH44E/2EES-2	1			358 401 02*)	
	LH53E/2GES-2 LH53E/2DES-2	1			358 401 15*)	
	LH64E/2FES-2 LH64E/2EES-2 LH64E/2EES-3 LH64E/2DES-2 LH64E/2DES-3 LH64E/2CES-3 LH64E/4FES-3 LH64E/4EES-4	1			358 401 16*)	
	LH84E/2CES-3 LH84E/2CES-4 LH84E/4FES-3 LH84E/4FES-5 LH84E/4EES-6 LH84E/4DES-5 LH84E/4CES-6	1			358 401 17*)	
	LH104E/2DES-3 LH104E/2CES-4 LH104E/4EES-4 LH104E/4EES-6 LH104E/4DES-7 LH104E/4TES-9 LH104E/S4T-5.2 LH104E/S4N-8.2	1			358 404 01*)	
	LH114E/4FES-5 LH114E/4DES-5 LH114E/4DES-7 LH114E/4CES-9 LH114E/4TES-12 LH114E/4PES-12 LH114E/44FES-6 LH114E/44FES-10 LH114E/44EES-8	1			358 405 01*)	
	LH124E/4CES-6 LH124E/4CES-9 LH124E/4TES-9 LH124E/4TES-12 LH124E/4NES-14 LH124E/44FES-6 LH124E/44FES-10 LH124E/44EES-8 LH124E/44EES-12 LH124E/44DES-10 LH124E/S4G-12.2	1			358 406 01*)	



Pos.	Typ	Stück	Ände- rung	ab Baujahr Mon./Jahr/Nr.	Art. Nr.	Benennung	
Item	Type	Qty.	Modifi- cation	from model month/year/no.	Ref. nr.	Description	
No.	Type	Pièce	Modifi- cation	à partir du modèle mois/année/no.	Réf. no.	Désignation	
	LH135E/4PES-12 LH135E/4PES-15 LH135E/4NES-14 LH135E/4NES-20 LH135E/44EES-12 LH135E/44DES-10 LH135E/44DES-14 LH135E/44CES-12 LH135E/44CES-18 LH135E/4JE-15 LH135E/4JE-22 LH135E/4HE-18 LH135E/4HE-25 LH135E/4GE-23 LH135E/6JE-25 LH135E/6HE-28 LH135E/S6J-16.2 LH135E/S6H-20.2 LH135E/S6G-25.2	1			358 407 01*)	Wetterschutzgehäuse Housed unit Un capotage de protection contre les intempéries *) Siehe Maschinenpreisliste see machine price list voir prix-tarif machine	
	LH265E/4JE-15 LH265E/4JE-22 LH265E/4HE-18 LH265E/4HE-25 LH265E/4GE-23 LH265E/4GE-30 LH265E/4FE-28 LH265E/4FE-35 LH265E/6JE-25 LH265E/6JE-33 LH265E/6HE-28 LH265E/6HE-35 LH265E/6GE34 LH265E/6GE-40 LH265E/S6G-25.2 LH265E/S6F-30.2				—		
16	—	1			366 000 10	Rohranschluss Pipe connection Raccor de tube aspiration	3/4"-16 UNF, Ø 10 L
	—	1			366 000 13		1"-14 UNS, Ø 12 L
	—	1			366 000 14		1"-14 UNS, Ø 16 L
	—	1			366 000 01		1 1/4"-12 UNF, Ø 16 L
	—	1			366 000 02		1 1/4"-12 UNF, Ø 18 L
	—	1			366 000 03		1 1/4"-12 UNF, Ø 22 L
	—	1			366 000 04		1 1/4"-12 UNF, Ø 28 L
	—	1			366 000 05		1 3/4"-12 UNF, Ø 22 L
	—	1			366 000 06		1 3/4"-12 UNF, Ø 28 L
	—	1			366 000 07		1 3/4"-12 UNF, Ø 35 L
	—	1			366 000 08		1 3/4"-12 UNF, Ø 42 L
	—	1			366 000 23		2 1/4"-12 UN, Ø 35 L
	—	1			366 000 22		2 1/4"-12 UN, Ø 42 L



Pos.	Typ	Stück	Ände- rung	ab Baujahr Mon./Jahr/Nr.	Art. Nr.	Benennung	
Item	Type	Qty.	Modifi- cation	from model month/year/no.	Ref. nr.	Description	
No.	Type	Pièce	Modifi- cation	à partir du modèle mois/année/no.	Réf. no.	Désignation	
	—	1			366 001 12	Winkel-Rohranschluss	3/4"-16 UNF, Ø 10 L
	—	1			366 001 16	Bend tube connection	1"-14 UNS, Ø 16 L
	—	1			366 001 01	Raccord angulaire	1 1/4"-12 UNF, Ø 16 L
	—	1			366 001 02		1 1/4"-12 UNF, Ø 18 L
	—	1			366 001 03		1 1/4"-12 UNF, Ø 22 L
	—	1			366 001 04		1 1/4"-12 UNF, Ø 28 L
	—	1			366 001 05		1 3/4"-12 UNF, Ø 22 L
	—	1			366 001 06		1 3/4"-12 UNF, Ø 28 L
	—	1			366 001 07		1 3/4"-12 UNF, Ø 35 L
	—	1			366 001 10		1 3/4"-12 UNF, Ø 42 L
18	.../2KES-05 .../2JES-07 .../2HES-1 /-2 .../2GES-2 .../2FES-2 /-3	1			361 315 11	Druck-Absperrventil Discharge shut-off valve Vanne d'arrêt refoulement	Ø 12 L
	.../2EES-2 /-3 .../2DES-2 /-3 .../2CES-3 /-4 .../4FES-3 /-5 .../4EES-4 /-6	1			361 315 10		Ø 16 L
	.../4DES-5 /-7 .../4CES-6 /-9	1			361 315 05		Ø 22 L
	.../S4T-5.2 .../S4N-8.2	1			361 310 13		Ø 22 L
	.../4TES-9 /-12 .../4PES-10 /-15 .../4NES-14 /-20 .../4JE-15 /-22 .../4HE-18 /-25 .../4GE-23	1			361 315 13		1 3/4"-12 UNF, Ø 28 L
	.../S4G-12.2	1			361 310 07		1 3/4"-12 UN, Ø 28 L
	.../S6J-16.2 .../S6H-20.2 .../S6G-25.2	1			361 310 08		1 3/4"-12 UN, Ø 35 L
	.../6JE-25Y /-33 .../6HE-28Y /-35 .../6GE-34Y /-40	1			361 354 05		1 3/4"-12 UNF, Ø 35 L
19	LH44E/2EES-2	1			365 714 04	Reduzier-Buchse für Absperrventil	Ø 16A x Ø12I
	LH53E/2DES-2					Reducing bush for shut-off valve	
	LH84E/4DES-5 LH84E/4CES-6	1			365 714 03	Douille de réduction pour vanne d'arrêt	Ø 22A x Ø16I
	LH104E/4DES-7						

Pos.	Typ	Stück	Ände- rung	ab Baujahr Mon./Jahr/Nr.	Art. Nr.	Benennung			
Item	Type	Qty.	Modifi- cation	from model month/year/no.	Ref. nr.	Description			
No.	Type	Pièce	Modifi- cation	à partir du modèle mois/année/no.	Réf. no.	Désignation			
20	LH64E/2FES-2Y	1			311 017 02	Reduzier-Buchse für Verflüssiger Reducing bush for condenser Douille de réduction pour condenseur	Ø 16A x Ø 12I		
	LH104E/2DES-3Y LH104E/2CES-4Y LH104E/4EES-4Y LH104E/4EES-6Y LH104E/4DES-7Y	1			365 714 01		Ø 22A x Ø 16I		
	LH104E/4TES-9Y	1			365 711 01		Ø 28I x Ø 22A		
	LH114E/4FES-5Y LH114E/4DES-5Y LH114E/4DES-7Y LH114E/4CES-9Y LH114E/44FES-6 LH114E/44FES-10 LH114E/44EES-8	1			365 711 01		Ø 28A x Ø 22I		
	LH124E/4CES-6 LH124E/4CES-9 LH124E/44FES-6 LH124E/44FES-10 LH124E/44EES-8 LH124E/44EES-12								
	LH135E/6JE-25 LH135E/6HE-28	1			365 716 01		Ø 35i x Ø 28A		
	(21)	LH265E/4JE-15 LH265E/4JE-22 LH265E/4HE-18 LH265E/4HE-25 LH265E/4GE-23 LH265E/4GE-30 LH265E/4FE-28 LH265E/4FE-35	1				365 701 13	Reduzier-Buchse für Ölabscheider Reducing bush for oil separator Douille de réduction pour séparateur	Ø 35A x Ø 28I
	(22)	LH265E/4JE-15 LH265E/4JE-22 LH265E/4HE-18 LH265E/4HE-25 LH265E/4GE-23 LH265E/4GE-30 LH265E/4FE-28 LH265E/4FE-35 LH265E/6JE-25 LH265E/6JE-33 LH265E/6HE-28 LH265E/6HE-35 LH265E/6GE34 LH265E/6GE-40 LH265E/S6G-25.2 LH265E/S6F-30.2	1				365 712 01	Reduzier-Buchse für Filtertrockner Reducing bush for filter drier Douille de réduction pour filtre déshydrateur	Ø 28A x Ø 22I



BITZER Kühlmaschinenbau GmbH
Eschenbrunnlestraße 15 // 71065 Sindelfingen // Germany
Tel +49 (0)70 31 932-0 // Fax +49 (0)70 31 932-147
bitzer@bitzer.de // www.bitzer.de

Subject to change // Änderungen vorbehalten // Toutes modifications réservées // 80621001 // 05.2016