



Condensing unit
Voltage Code : FZ

AE4430YHR-FZ

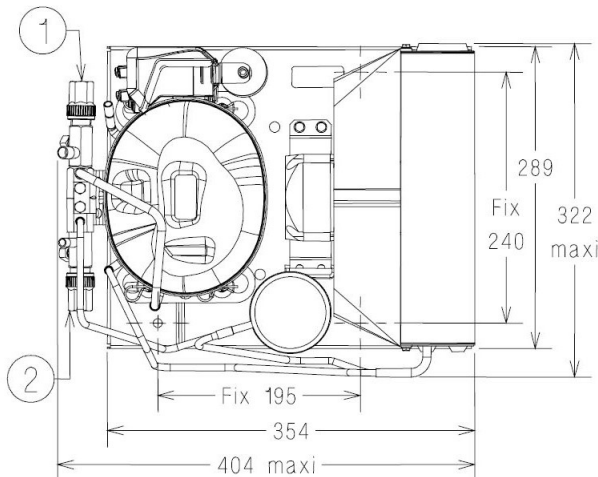
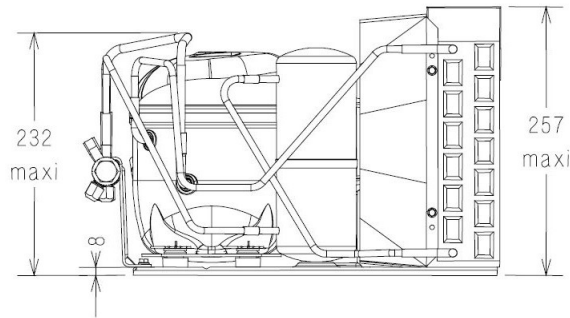
High Temp. Commercial (HP)

220 - 240V 1~ 50 Hz

R134a

AE4430YHR-FZ

Conditions	Frequency	Nominal Cooling Capacity		Sound Power ISO3745 / ISO 3743-1
		Watts	BTU/h	
EN13215 / R134a	50 Hz	410	1397	59 dBA



* EN13215 : T°Ambient 32.0°C / T°Evap. -10.0°C / T°Return gas temp.. 20.0°C
T°Subcooling. 3.0K

Net Weight (Kg)	15.2
Expansion device	Expansion_Valve
Air Flow (m³/h)	410
Compo Data Sheet	21BFS-FZ
Elec Comp Type	CSIR
Current (Amp)	
Load Rated Amp	2.3
Max Cont Current	3.3
Lock Rotor Amp	12.7
Fan	
Speed (rpm)	1300
Power (W)	5.0
Diameter (mm)	200
Protection	Impedance
IP Level	IP42
Condenser	205/1660
Liquid Receiver	
Capacity (L)	0.75
Maximum Pressure (Bars)	32.0
Suction Line	
Suction Type	Vanne de Socle
For Tubing Out Diam	9.5 (3/8")
Suction Connection Type	Brased
Liquid Line	
Liquid Line Type	Vanne de Socle
For Tubing Out Diam	6.35 (1/4")
Liquid Connecton Type	Brased
Connection Type	VR
Fan Guard	maille < à 8mm

Note : Tecumseh reserves the right to change information contained in this document without notification.



Tecumseh

AE4430YHR-FZ	Tension FZ : 220 - 240V 1~ 50 Hz
---------------------	---

Les performances sont données dans les conditions EN13215 :	Gaz aspirés :	20.0 °C
Condition Dew	Sous refroidissement :	3.0 K
The performance data are in EN13215 conditions :	Return gas :	20.0 °C
Dew Condition	Subcooling :	3.0 K

50 Hz R134a

N°513FS-FZ

5 T ambience	6 T évaporation	(°C)	-25	-20	-15	-10	-5	0	5	10	15
25	1 P frigorifique	(Watt)	209	276	355	448	553	669	796	931	1072
	2 P absorbée	(W)	198	215	233	252	273	296	321	349	381
	3 I absorbée	(A)	1.91	1.93	1.96	2.00	2.05	2.11	2.19	2.27	2.38
	4 Tc	(°C)	30.9	32.3	34.0	36.1	38.4	41.0	43.8	47.0	50.5
32	1 P frigorifique	(Watt)		250	324	410	506	612	727	849	976
	2 P absorbée	(W)		221	241	263	286	312	340	372	408
	3 I absorbée	(A)		1.93	1.98	2.03	2.09	2.16	2.24	2.34	2.46
	4 Tc	(°C)		38.8	40.5	42.4	44.6	47.1	49.8	52.9	56.3
43	1 P frigorifique	(Watt)			276	349	431	521	617	719	
	2 P absorbée	(W)			251	276	304	335	369	406	
	3 I absorbée	(A)			1.99	2.06	2.14	2.23	2.33	2.44	
	4 Tc	(°C)			50.5	52.3	54.3	56.7	59.3	62.2	

© 2019 Tecumseh Products Company
All rights reserved

1 = cooling capacity 2 = power input 3 = current 4 = condensing temperature 5 = ambient temperature 6 = evaporating temperature

Nota : Tecumseh se réserve le droit de modifier les informations contenues dans ce document sans préavis.

Note : Tecumseh reserves the right to change information contained in this document without notification.