



Compressor
Voltage Code : FZ

AE4456Y-FZ1C

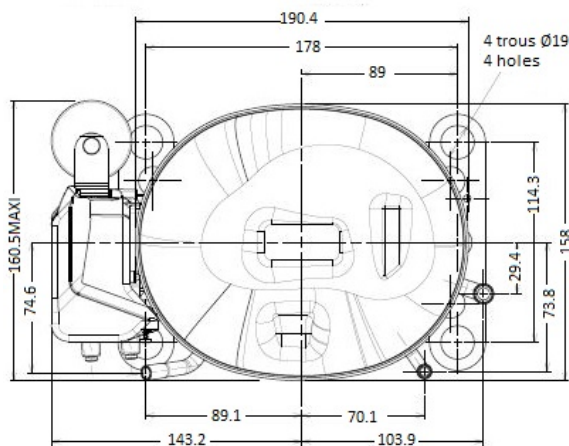
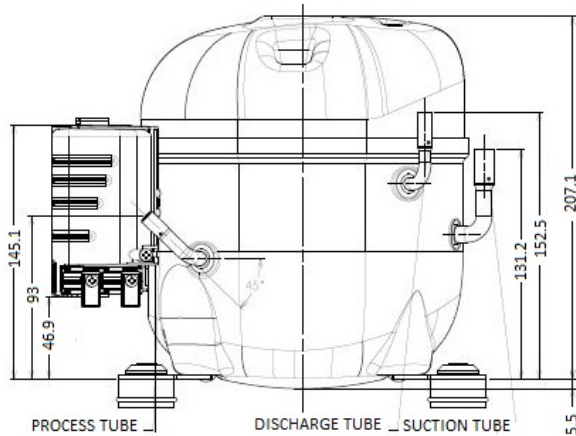
High Temp. Commercial (HP)

220 - 240V 1~ 50 Hz

R134a

AE4456Y-FZ1C_BF

Conditions	Frequency	Nominal Cooling Capacity		Sound Power ISO3745 / ISO 3743-1
		Watts	BTU/h	
EN12900 / R134a	50 Hz	1282	4371	60 dBA



* EN12900 : T°Cond. 50.0°C / T°Evap. 5.0°C / T°Return gas temp.. 20.0°C
T°Subcooling. 0.0K

Certificates :



Displacement (cc)	14.51
Net Weight (Kg)	11.5
Oil Quantity (cc)	380.0
Oil Type	Polyolester
Expansion Device	Capillary_Tube/Expansion_Valve
Cooling	Fan
Main Winding (Ohm)	4.05
Start Winding (Ohm)	22.8
Current	
RLA (A)	3.6
LRA (A)	17.5
Electrical Equipment	
	CSIR
Overload	
Time Check	T0617
Open Temp	2.8s - 5.2s / 20.5 A
Close Temp	140° C
	52° C
Start Capacitor	
	64 µF / 250 V
Current Relay	
Pick Up	MTRP0030
Drop Out	9,15A
	7,7A
Refrigerating connection for OD	
Suction Tube	9.5 (3/8")
Discharge Tube	6.35 (1/4")
Process Tube	6.35 (1/4")


Note : Tecumseh reserves the right to change information contained in this document without notification.



Tecumseh

AE4456Y-FZ1C	Tension FZ : 220 - 240V 1~ 50 Hz
---------------------	---

Les performances sont données dans les conditions EN12900 :	Gaz aspirés :	20.0 °C
Condition Dew	Sous refroidissement :	0.0 K
The performance data are in EN12900 conditions :	Return gas :	20.0 °C
Dew Condition	Subcooling :	0.0 K

50 Hz R134a											
 N°3102											
4 T condensation	5 T évaporation	(°C)	-25	-20	-15	-10	-5	0	5	10	15
30	1 P frigorifique	(Watt)	420	554	712	897	1114	1366	1659	1997	2383
	2 P absorbée	(W)	275	307	337	367	397	429	464	502	544
	3 I absorbée	(A)	2.55	2.60	2.66	2.73	2.82	2.91	3.02	3.14	3.27
40	1 P frigorifique	(Watt)	353	479	624	792	987	1214	1476	1779	2125
	2 P absorbée	(W)	288	329	368	406	443	481	521	563	609
	3 I absorbée	(A)	2.50	2.60	2.70	2.82	2.95	3.09	3.24	3.41	3.58
50	1 P frigorifique	(Watt)		404	534	682	854	1052	1282	1547	1853
	2 P absorbée	(W)		345	394	442	489	535	583	632	684
	3 I absorbée	(A)		2.62	2.77	2.93	3.10	3.29	3.48	3.69	3.91
60	1 P frigorifique	(Watt)			447	574	720	888	1083	1310	1571
	2 P absorbée	(W)			416	476	534	592	649	708	769
	3 I absorbée	(A)			2.85	3.05	3.27	3.50	3.74	4.00	4.26

© 2019 Tecumseh Products Company
All rights reserved

1 = cooling capacity 2 = power input 3 = current 4 = condensing temperature 5 = evaporating temperature

Nota : Tecumseh se réserve le droit de modifier les informations contenues dans ce document sans préavis.

Note : Tecumseh reserves the right to change information contained in this document without notification.