



Compressor
Voltage Code : FZ

CAJ4492N-FZ

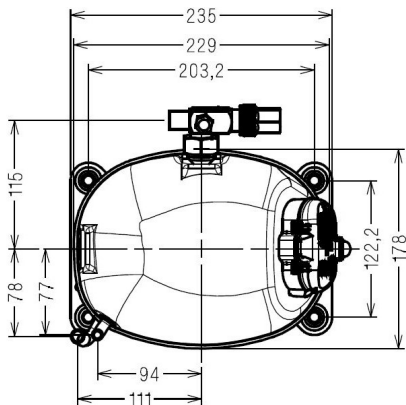
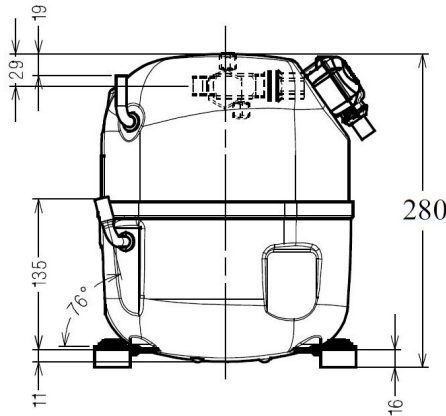
High Temp. Commercial (HP)

220 - 240V 1~ 50 Hz

R1234yf / R134a

AJ4492N-FZ1B

Conditions	Frequency	Nominal Cooling Capacity		Sound Power ISO3745 / ISO 3743-1
		Watts	BTU/h	
EN12900 / R1234yf	50 Hz	2036	6942	57 dBA
EN12900 / R134a	50 Hz	2108	7187	57 dBA



Displacement (cc)	25.95
Net Weight (Kg)	19.8
Oil Quantity (cc)	475.0
Oil Type	Polyolester
Expansion Device	Capillary_Tube/Expansion_Valve
Cooling	Fan
Main Winding (Ohm)	2.9
Start Winding (Ohm)	12.8
Current	
RLA (A)	5.9
MCC (A)	8.9
LRA (A)	28
Electrical Equipment	CSIR
Overload	MST18AIN
Time Check	7.5s - 14s / 20.7 A
Open Temp	120° C
Close Temp	69° C
Optional	T0750
Start Capacitor	64 µF / 330 V
Potential Relay	RVA4G**
Pick Up	180/195V
Drop Out	40/105V
Optional	/
Refrigerating connection for OD	
Suction Tube	12.7 (1/2")
Discharge Tube	7.9 (5/16")
Process Tube	6.35 (1/4")

* EN12900 : T°Cond. 50.0°C / T°Evap. 5.0°C / T°Return gas temp.. 20.0°C
T°Subcooling. 0.0K

Certificates :



Note : Tecumseh reserves the right to change information contained in this document without notification.



Tecumseh

CAJ4492N-FZ	Tension FZ : 220 - 240V 1~ 50 Hz
--------------------	-----------------------------------------

Les performances sont données dans les **conditions EN12900** :
 Condition Dew
 The performance data are in **EN12900 conditions** :
 Dew Condition

Gaz aspirés : 20.0 °C
 Sous refroidissement : 0.0 K
 Return gas : 20.0 °C
 Subcooling : 0.0 K

50 Hz R1234yf											
N°284LS-FZ											
4 T condensation	5 T évaporation	(°C)	-25	-20	-15	-10	-5	0	5	10	15
30	1 P frigorifique	(Watt)	659	911	1197	1522	1896	2323	2811	3368	3999
	2 P absorbée	(W)	461	526	581	629	673	717	764	818	881
	3 I absorbée	(A)	4.01	4.20	4.37	4.52	4.67	4.80	4.92	5.02	5.12
40	1 P frigorifique	(Watt)	483	724	989	1287	1623	2004	2437	2930	3489
	2 P absorbée	(W)	438	533	613	682	744	802	859	919	985
	3 I absorbée	(A)	3.88	4.16	4.42	4.68	4.92	5.15	5.36	5.57	5.76
50	1 P frigorifique	(Watt)		529	771	1036	1330	1661	2036	2461	2943
	2 P absorbée	(W)		503	616	714	801	881	956	1030	1106
	3 I absorbée	(A)		4.05	4.42	4.77	5.11	5.43	5.74	6.04	6.33
60	1 P frigorifique	(Watt)			557	785	1034	1311	1622	1975	2376
	2 P absorbée	(W)			580	715	836	945	1045	1141	1236
	3 I absorbée	(A)			4.34	4.79	5.23	5.65	6.06	6.46	6.84

50 Hz R134a											
N°284LS-FZA											
4 T condensation	5 T évaporation	(°C)	-25	-20	-15	-10	-5	0	5	10	15
30	1 P frigorifique	(Watt)	592	828	1113	1455	1864	2348	2915	3574	4334
	2 P absorbée	(W)	415	479	536	588	636	680	723	764	804
	3 I absorbée	(A)	4.32	4.39	4.47	4.58	4.70	4.85	5.01	5.20	5.40
40	1 P frigorifique	(Watt)	441	664	925	1230	1590	2013	2507	3081	3744
	2 P absorbée	(W)	397	483	562	634	701	763	823	880	935
	3 I absorbée	(A)	4.23	4.37	4.53	4.71	4.91	5.13	5.37	5.62	5.90
50	1 P frigorifique	(Watt)		480	722	996	1313	1681	2108	2603	3174
	2 P absorbée	(W)		455	560	657	748	834	915	993	1068
	3 I absorbée	(A)		4.32	4.55	4.81	5.08	5.37	5.69	6.02	6.37
60	1 P frigorifique	(Watt)			499	748	1028	1346	1711	2133	2619
	2 P absorbée	(W)			524	652	772	886	994	1098	1198
	3 I absorbée	(A)			4.55	4.87	5.22	5.59	5.97	6.38	6.81

1 = cooling capacity 2 = power input 3 = current 4 = condensing temperature 5 = evaporating temperature

Nota : Tecumseh se réserve le droit de modifier les informations contenues dans ce document sans préavis.
Note : Tecumseh reserves the right to change information contained in this document without notification.

© 2019 Tecumseh Products Company
All rights reserved