



Compressor
Voltage Code : FZ

CAJ4511Y-FZ

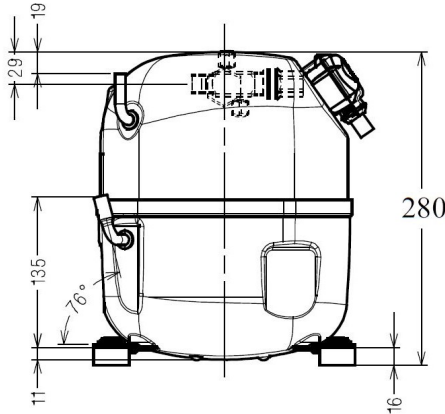
High Temp. Commercial (HP)

220 - 240V 1~ 50 Hz

R134a

AJ4511Y-FZ3B

Conditions	Frequency	Nominal Cooling Capacity		Sound Power ISO3745 / ISO 3743-1
		Watts	BTU/h	
EN12900 / R134a	50 Hz	2714	9253	61 dBA



Displacement (cc)	32.7
Net Weight (Kg)	21.5
Oil Quantity (cc)	475.0
Oil Type	Polyolester
Expansion Device	Capillary_Tube/Expansion_Valve
Cooling	Fan
Main Winding (Ohm)	2.9
Start Winding (Ohm)	8.8
Current	
RLA (A)	5.1
MCC (A)	8.6
LRA (A)	30
Electrical Equipment	CSR
Overload	MRA38088
Time Check	2.8s - 5.2s / 27.5 A
Open Temp	105° C
Close Temp	57° C
Optional	T0419
Start Capacitor	88 µF / 330 V
Run Capacitor	15 µF / 400 V
Potential Relay	RVA6M**
Pick Up	239/268V
Drop Out	60/135V
Optional	3ARR3*4AA*
Refrigerating connection for OD	
Suction Tube	15.9 (5/8")
Discharge Tube	7.9 (5/16")
Process Tube	6.35 (1/4")

* EN12900 : T°Cond. 50.0°C / T°Evap. 5.0°C / T°Return gas temp.. 20.0°C
T°Subcooling. 0.0K

Certificates :



Note : Tecumseh reserves the right to change information contained in this document without notification.



Tecumseh

CAJ4511Y-FZ	Tension FZ : 220 - 240V 1~ 50 Hz
--------------------	---

Les performances sont données dans les **conditions EN12900** :
 Condition Dew
 The performance data are in **EN12900 conditions** :
 Dew Condition

Gaz aspirés : 20.0 °C
 Sous refroidissement : 0.0 K
 Return gas : 20.0 °C
 Subcooling : 0.0 K

50 Hz R134a											
N°214QT-FZ											
4 T condensation	5 T évaporation	(°C)	-25	-20	-15	-10	-5	0	5	10	15
30	1 P frigorifique	(Watt)	815	1116	1474	1899	2399	2985	3665	4448	5343
	2 P absorbée	(W)	491	565	632	696	759	826	901	987	1087
	3 I absorbée	(A)	2.33	2.64	2.94	3.24	3.53	3.83	4.13	4.42	4.71
40	1 P frigorifique	(Watt)	642	924	1252	1634	2079	2597	3196	3885	4674
	2 P absorbée	(W)	475	575	664	746	825	904	986	1076	1177
	3 I absorbée	(A)	2.25	2.64	3.03	3.42	3.81	4.20	4.58	4.97	5.35
50	1 P frigorifique	(Watt)		716	1014	1354	1744	2195	2714	3310	3994
	2 P absorbée	(W)		552	672	781	883	982	1081	1184	1294
	3 I absorbée	(A)		2.58	3.06	3.54	4.02	4.50	4.97	5.45	5.92
60	1 P frigorifique	(Watt)			764	1063	1400	1784	2223	2729	3308
	2 P absorbée	(W)			649	794	928	1055	1178	1302	1430
	3 I absorbée	(A)			3.03	3.60	4.17	4.74	5.30	5.87	6.43



© 2019 Tecumseh Products Company
All rights reserved

1 = cooling capacity 2 = power input 3 = current 4 = condensing temperature 5 = evaporating temperature

Nota : Tecumseh se réserve le droit de modifier les informations contenues dans ce document sans préavis.

Note : Tecumseh reserves the right to change information contained in this document without notification.