

Condensing unit
Voltage Code : FZ

CAJN4511YHR-FZ

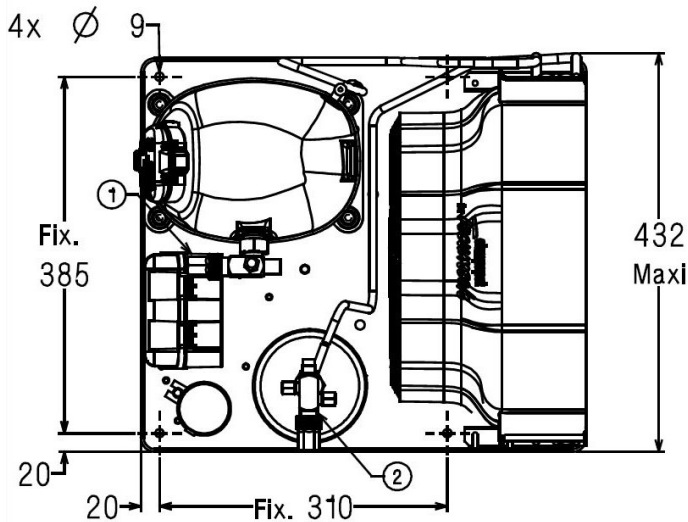
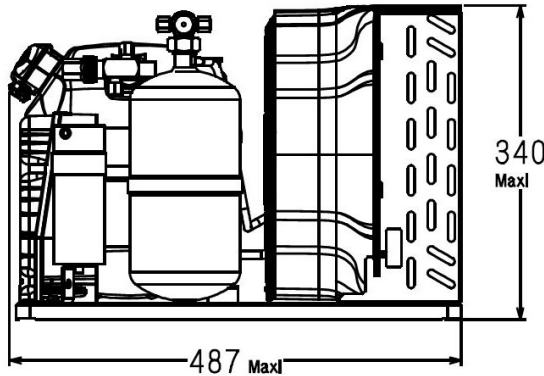
High Temp. Commercial (HP)

220 - 240V 1~ 50 Hz

R134a

CAJN4511YHR-FZ

Conditions	Frequency	Nominal Cooling Capacity		Sound Power ISO3745 / ISO 3743-1
		Watts	BTU/h	
EN13215 / R134a	50 Hz	1506	5136	64 dBA



* EN13215 : T°Ambient 32.0°C / T°Evap. -10.0°C / T°Return gas temp.. 20.0°C
T°Subcooling. 3.0K

Net Weight (Kg)	35.0
Expansion device	Expansion_Valve
Air Flow (m³/h)	900
Compo Data Sheet	214QT-FZ
Elec Comp Type	CSR
Current (Amp)	
Load Rated Amp	5.3
Max Cont Current	8.8
Lock Rotor Amp	30
Fan	
Speed (rpm)	1200
Power (W)	30.0
Diameter (mm)	300
Protection	Overload
IP Level	IP54
Condenser	300/3900
Liquid Receiver	
Capacity (L)	2.35
Maximum Pressure (Bars)	32.0
Suction Line	
Suction Type	Vanne Orientable
For Tubing Out Diam	15.9 (5/8")
Suction Connection Type	Brased
Liquid Line	
Liquid Line Type	Vanne Orientable
For Tubing Out Diam	9.5 (3/8")
Liquid Connecton Type	Brased
Connection Type	VR
Fan Guard	maille < à 8mm


Note : Tecumseh reserves the right to change information contained in this document without notification.



Tecumseh

CAJN4511YHR-FZ	Tension FZ : 220 - 240V 1~ 50 Hz
-----------------------	-----------------------------------------

Les performances sont données dans les conditions EN13215 :	Gaz aspirés :	20.0 °C
Condition Dew	Sous refroidissement :	3.0 K
The performance data are in EN13215 conditions :	Return gas :	20.0 °C
Dew Condition	Subcooling :	3.0 K

50 Hz R134a											
											
										N°5041	
5 T ambience	6 T évaporation	(°C)	-25	-20	-15	-10	-5	0	5	10	15
25	1 P frigorifique	(Watt)	797	1052	1341	1662	2008	2375	2754	3136	3512
	2 P absorbée	(W)	527	610	695	787	887	1001	1131	1283	1461
	3 I absorbée	(A)	2.56	2.89	3.26	3.68	4.15	4.68	5.27	5.92	6.65
	4 Tc	(°C)	32.1	34.7	37.4	40.4	43.6	47.0	50.6	54.5	58.5
32	1 P frigorifique	(Watt)		938	1209	1506	1823	2155	2494	2831	
	2 P absorbée	(W)		611	706	807	917	1041	1182	1345	
	3 I absorbée	(A)		2.88	3.29	3.75	4.25	4.82	5.44	6.13	
	4 Tc	(°C)		40.4	43.1	46.0	49.1	52.4	56.0	59.7	
43	1 P frigorifique	(Watt)			993	1254	1526	1804			
	2 P absorbée	(W)			706	827	957	1100			
	3 I absorbée	(A)			3.30	3.82	4.39	5.00			
	4 Tc	(°C)			52.0	54.8	57.8	60.9			

© 2019 Tecumseh Products Company
All rights reserved

1 = cooling capacity 2 = power input 3 = current 4 = condensing temperature 5 = ambient temperature 6 = evaporating temperature

Nota : Tecumseh se réserve le droit de modifier les informations contenues dans ce document sans préavis.

Note : Tecumseh reserves the right to change information contained in this document without notification.