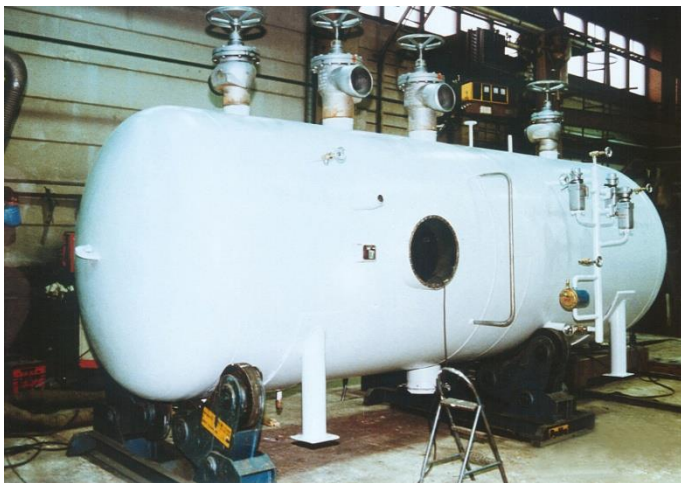
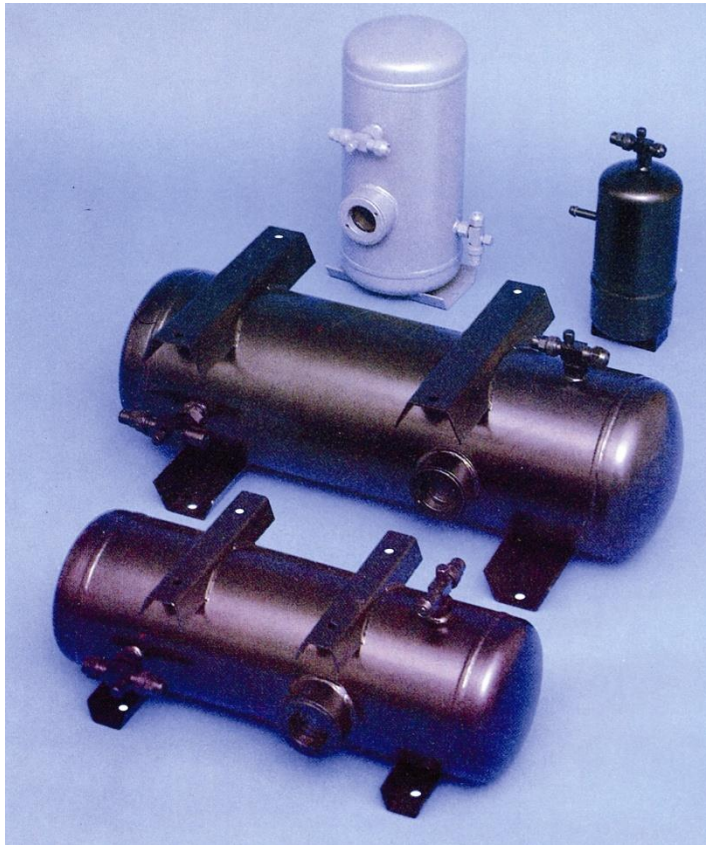


## DIFFERENT RECEIVERS FOR REFRIGERATION INDUSTRY





## DINSI LIQUID RECEIVERS

Dinsi receivers have been manufactured since 1968. Our standard series include both horizontal and vertical models. The smallest standard model is 1.5 dm<sup>3</sup> and the largest one 260 dm<sup>3</sup>.

Additionally we manufacture tailor made sizes and types of receivers for all refrigerants including ammonia.

Dinsi liquid receivers can be applied with all refrigerants being used and with substances that do not corrode the receiver and its equipment

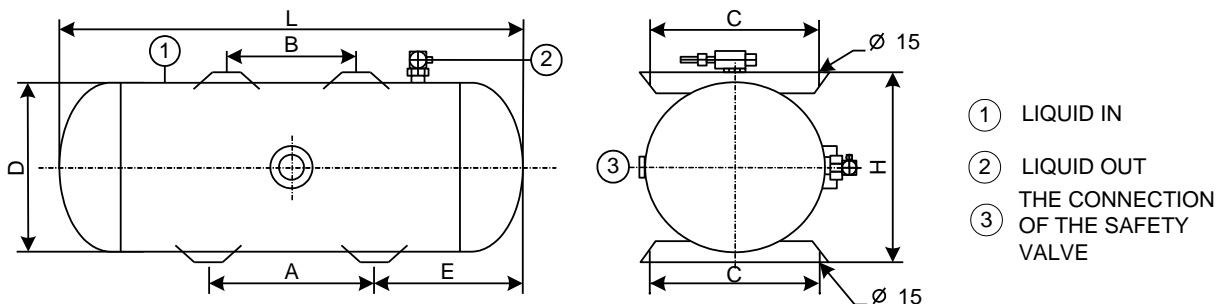
WORKING PRESSURE max 30 bar.

WORKING TEMPERATURE -10...+50 C°

The standard colour is blue. At customer's request green, grey and blue are available.

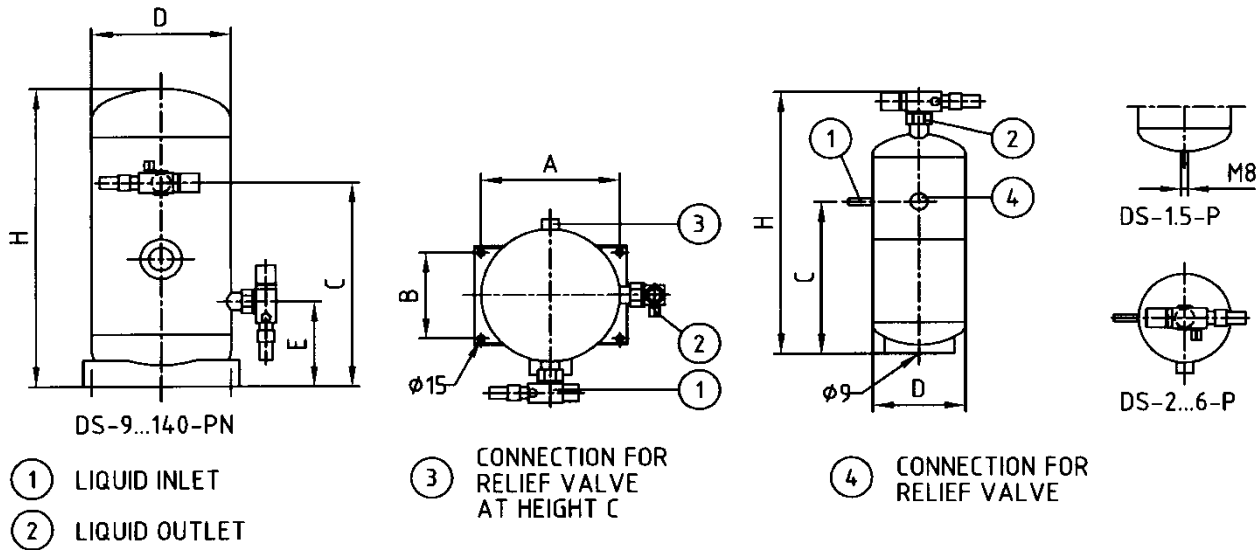
We manufacture our liquid receivers according to EU directive 97/22/EC (PED). All standard models are EC-type approved.

### Horizontal Models



Model	Volume dm <sup>3</sup>	Connections		Dimensions, mm							Weight kg
		1	2	D	L	H	A	B	C	E	
<b>6-K</b>	5.7	1/2"	3/8"	134	470	145	300	208	162	130	5
<b>13-KN</b>	12.4	5/8"	1/2"	200	465	225	200	208	162	133	14
<b>18-KN</b>	17.4	22 mm	5/8"	200	635	225	400	208	162	135	17
<b>18-LN</b>	17.4	22 mm	5/8"	200	635	225	400	295	280	145	18
<b>25-LN</b>	24.8	28 mm	22 mm	200	890	225	600	295	280	145	24
<b>38-RN</b>	38	28 mm	22 mm	250	830	295	500	381	305	165	36
<b>52-RN</b>	52	35 mm	28 mm	300	860	350	500	381	305	165	43
<b>75-RN</b>	74	35 mm	28 mm	300	1200	350	800	381	305	180	57
<b>100-RN</b>	96	42 mm	35 mm	300	1530	350	800	381	305	395	69
<b>140-N</b>	139	42 mm	35 mm	400	1260	430	800		305	230	83
<b>200-N</b>	198	42 mm	35 mm	400	1760	430	1000		305	380	118
<b>260-N</b>	257	42 mm	35 mm	400	2260	430	1400		305	430	149

## Vertical Models



Model	Volume dm <sup>3</sup>	Connections		Dimensions, mm						Weight, kg
		1	2	D	H	A	B	C	E	
<b>1.5-P</b>	1.5	10 mm	1/4"	102	270			150		1.4
<b>2-P</b>	2.0	10 mm	3/8"	134	275			160		2.1
<b>3-P</b>	2.8	10 mm	3/8"	134	335			210		2.3
<b>4-P</b>	3.8	13 mm	3/8"	134	420			270		2.8
<b>5-P</b>	4.6	13 mm	3/8"	134	490			325		3.2
<b>6-P</b>	5.7	13 mm	3/8"	134	555			410		3.7
<b>9-PN</b>	8.5	5/8"	1/2"	200	345	200		235	135	9.5
<b>13-PN</b>	12.4	5/8"	1/2"	200	470	200		330	135	12.0
<b>18-PN</b>	17.8	22 mm	5/8"	200	640	200		500	125	15.0
<b>29-PN</b>	29	28 mm	22 mm	250	670	230	150	510	160	25.0
<b>38-PN</b>	38	28 mm	22 mm	250	840	230	150	675	160	30.0
<b>52-PN</b>	52	35 mm	28 mm	300	870	280	200	690	180	41.0
<b>75-PN</b>	74	35 mm	28 mm	300	1210	280	200	1035	180	54.0
<b>100-P3N</b>	96	42 mm	35 mm	300	1540	280	200	1345	180	67.0
<b>140-P2N</b>	139	42 mm	35 mm	400	1270	380	280	1060	220	81.0
<b>200-P3N</b>	198	42 mm	35 mm	400	1770	380	280	1560	220	116.0
<b>260-P3N</b>	257	42 mm	35 mm	400	2270	380	280	2060	220	147.0

There is a ROTALOK valve in the liquid inlet and outlet connections. The receivers DS-1,5...5-P are exceptions: in these tubes the inlet connection is a steel tube, to which a copper tube can be soldered.

A liquid level indicator is standard equipment for vertical models and for horizontal models DS-9-PN and onwards.

The models DS-6-KN...100-RN are provided with a compressor-mounting bracket. Mounting brackets are also available for the models DS-140...260-N at a special request.

The standard connection for relief valve is R1/2"