

FB

for single phase alternating current, 6 pole

FBO50-6E



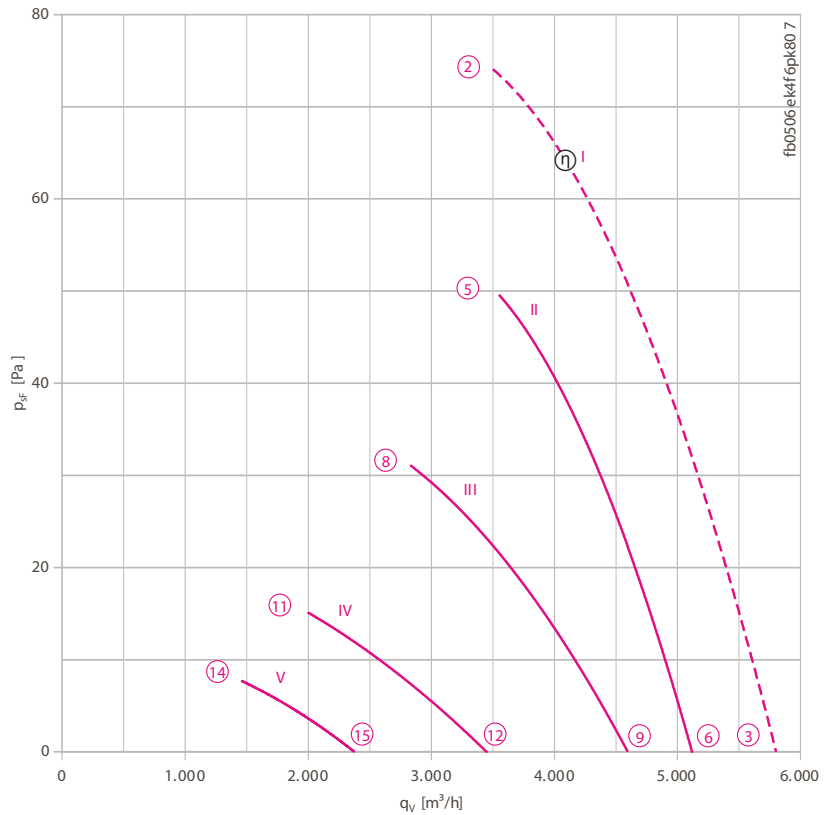
Description

Motor technology: AC
 Rated voltage U_N : 1~ 230 V \pm 10 %*
 Rated frequency f_N : 50 Hz*
 Motor input power P_1 : 0.29 kW*
 Rated current I_N : 1.30 A*
 Rated speed n_N : 920 min⁻¹*
 Starting current I_s : 2.20 A
 Current increase ΔI : 0 %
 Service capacitor C_{400V} : 8.0 μ F
 Thermal class: **THCL155***
 Min. permitted conveyor temperature $t_{R(min)}$: -25 °C
 Max. permitted conveyor temperature $t_{R(max)}$: 70 °C
 Electrical connection: Terminal box
 Number of blades: 4
 Protection class: IP54
 Motor protection: Thermal contact
 Blades: Aluminium, uncoated
 Rotor: Aluminium, uncoated
 Conformity: ErP 2013, CE

ErP Data

Efficiency η_{statA} : 27.1 %
 Efficiency: $N_{actual} = 37.4 / N_{target} = 36$ **
 * Rated data
 **ErP 2013

Characteristic curve



I) Measured in full bell mouth without guard grille in installation type A according to ISO 5801.
 II-x) Measured in short-bell mouth with compressed side contact protection.

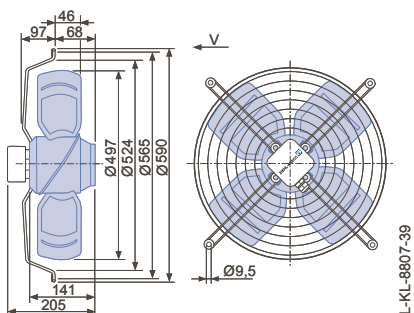
➤ Connection diagram 1360-104XA Page 608

➤ System components Page 524

Dimensions [mm]



Design K - axial bolted, mounted for short bell mouth E



Performance data


Type	Characteristic curve	Voltage	Operating point	Current	Motor input power	Speed	Suction side sound power level L_{WAS} [dB]
		U [V]		I [A]	P_1 [W]	n [min ⁻¹]	
FB050-6E_4F.V4P	I	230*	②	1.25*	280*	870*	
		230	③	0.96	210	930	69
	II	230	⑤	1.05	230	910	69
		230	⑥	0.92	200	930	68
	III	160	⑧	1.15	170	740	63
		160	⑨	0.96	145	830	65
	IV	130	⑪	1.10	125	490	57
		130	⑫	1.05	120	630	58
	V	105	⑭	0.90	83	370	
		105	⑮	0.89	82	440	

*rated data

Fan ordering information

Airflow direction V

Design K



Type FB050-6EK.4F.V4P
Article no. 124190

Weight [kg] 9.50

Control technology

<p>Frequency inverter Fcontrol 1~</p>  <p>➤ Page 552</p>	<p>Motor protection units 1~</p>  <p>➤ Page 596</p>	<p>Transformer-based controllers 1~</p>  <p>➤ Page 587</p>	<p>Electronic voltage controllers 1~</p>  <p>➤ Page 562</p>
---	--	---	---