

FE2owlet

for single phase alternating current, 4 pole

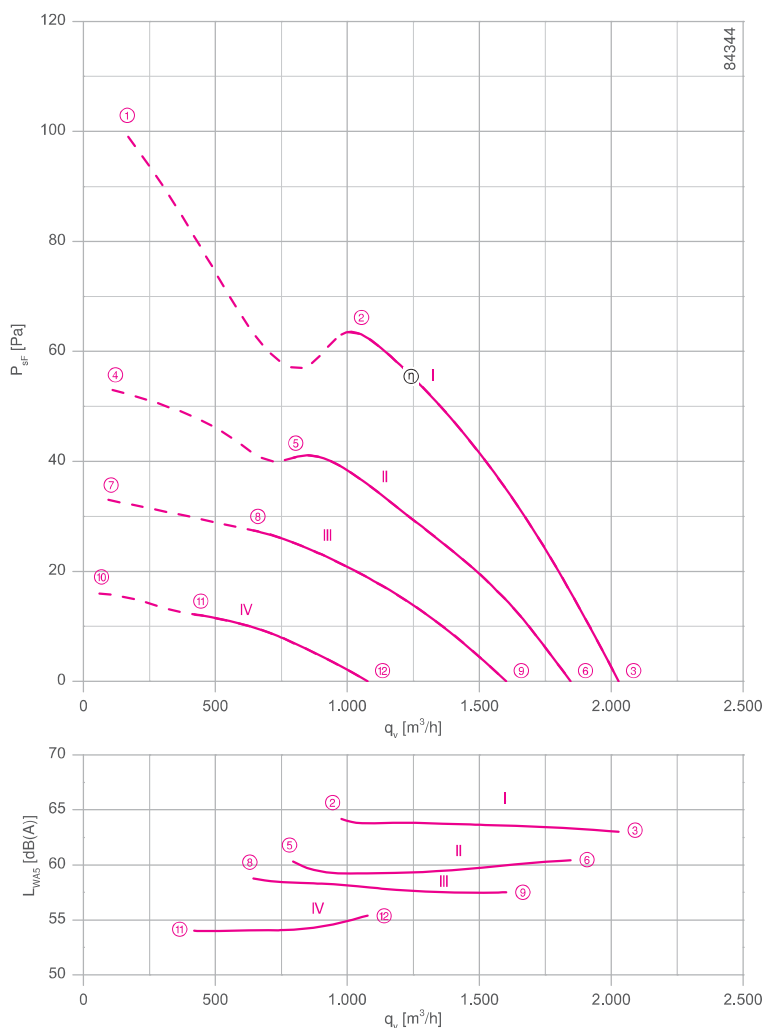
FNO30-4E



Description

Motor technology: AC
 Rated voltage U_N : 1~ 230 V*
 Rated frequency f_N : 50 Hz* (60Hz data available)
 Input power P_i : 0.09 kW*
 Rated current I_N : 0.39 A*
 Rated speed n_N : 1290 min⁻¹*
 Starting current I_s : 0.63 A
 Current increase ΔI : 0 %
 Service capacitor C_{400V} : 2.0 μ F
 Thermal class: THCL155*
 Min. permitted ambient temperature $t_{R(min)}$: -40 °C***
 Max. permitted ambient temperature $t_{R(max)}$: 60 °C
 Electrical connection: Supply cable variable 45 cm
 Number of blades: 7
 Motor protection: thermal contact
 Blades: High Performance Composite Material, uncoated, black
 Rotor: Aluminium, 1 coat paint, ultramarine blue
 Conformity: CE
ErP-data
 Not subject to the regulations of ErP directive ($P_i < 125$ W)
 * Rated data
 *** Continuous operation with occasional starts (S1) according to DIN EN 60034-1:2011-02. Occasional starting between -40 °C and -25 °C is permissible. Continuous operation below -25 °C only with special bearings for refrigeration applications on request.

Characteristic curve



Measured in full bell mouth without guard grille in installation type A according to ISO 5801

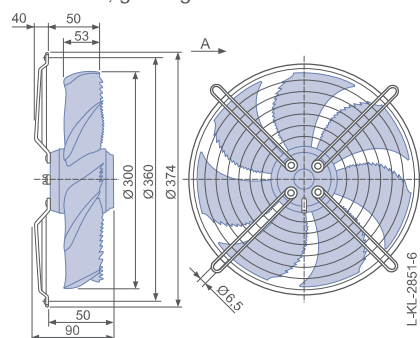
Connection diagram Page 532
1360-177X

System components Page 430

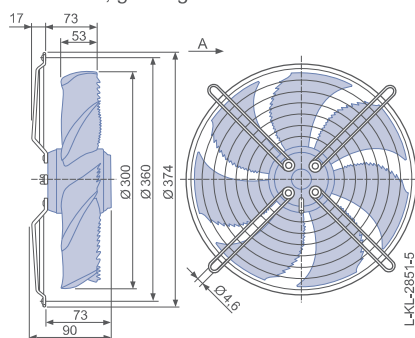
Dimensions mm

Airflow direction A

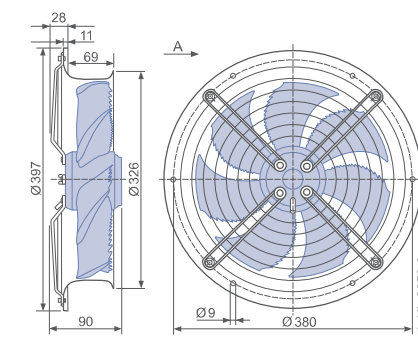
Design W - axial bolted, mounting for short bell mouth, guard grille suction side



Design D - axial bolted, suspension for full bell mouth, guard grille suction side



Design L - round full bell mouth, guard grille suction side



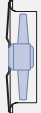





Performance data

Type	Characteristic curve	Voltage	Operating point	Current	Input power	Speed	Suction side sound power level
		U V		I A	P ₁ W	n min ⁻¹	L _{WA5} dB(A)
FN030-4E_WA_7	I	230	①	0.44	95	1220	
		230*	②	0.39*	85*	1290*	64
		230	③	0.34	75	1370	63
	II	170	④	0.39	65	890	
		170	⑤	0.36	60	1050	60
		170	⑥	0.30	50	1240	60
	III	145	⑦	0.34	48	710	
		145	⑧	0.33	46	870	59
		145	⑨	0.30	42	1100	58
	IV	110	⑩	0.27	28	490	
		110	⑪	0.26	28	570	54
		110	⑫	0.26	26	740	55

*rated data

Fan ordering information

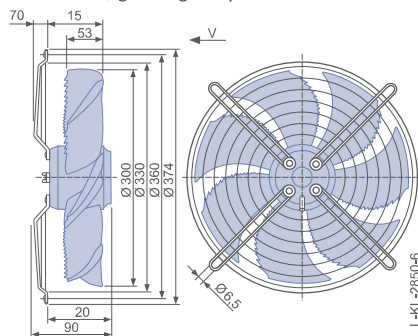
	Airflow direction A			Airflow direction V		
Design	W (guard grille suction side)	D (guard grille suction side)	L (guard grille suction side)	K (guard grille pressure side)	I (guard grille pressure side)	H (guard grille pressure side)
						
Type Article no.	FN030-4EW.WA.A7 141658	FN030-4ED.WA.A7 141656	FN030-4EL.WA.A7 141657	FN030-4EK.WA.V7 141661	FN030-4EI.WA.V7 141659	FN030-4EH.WA.V7 141660
Weight kg	3.10	3.60	4.50	3.30	2.90	4.50

Control technology

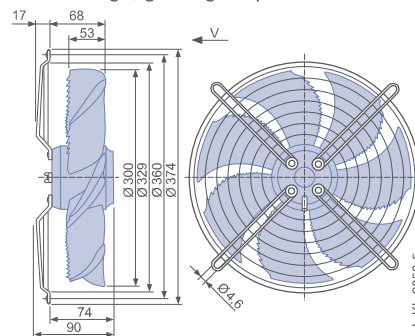
<p>Frequency inverters Fcontrol 1~</p>  <p>Page 474</p>	<p>Motor protection units 1~</p>  <p>Page 518</p>	<p>Electronic voltage controllers 1~</p>  <p>Page 492</p>
--	--	--

Airflow direction V

Design K - axial bolted, mounted for short bell mouth, guard grille pressure side



Design I - axial bolted, mounting for bell mouth flange, guard grille pressure side



Design H - pipe sockets with a flange, guard grille pressure side

