

# FE2owlet

for single phase alternating current, 6 pole

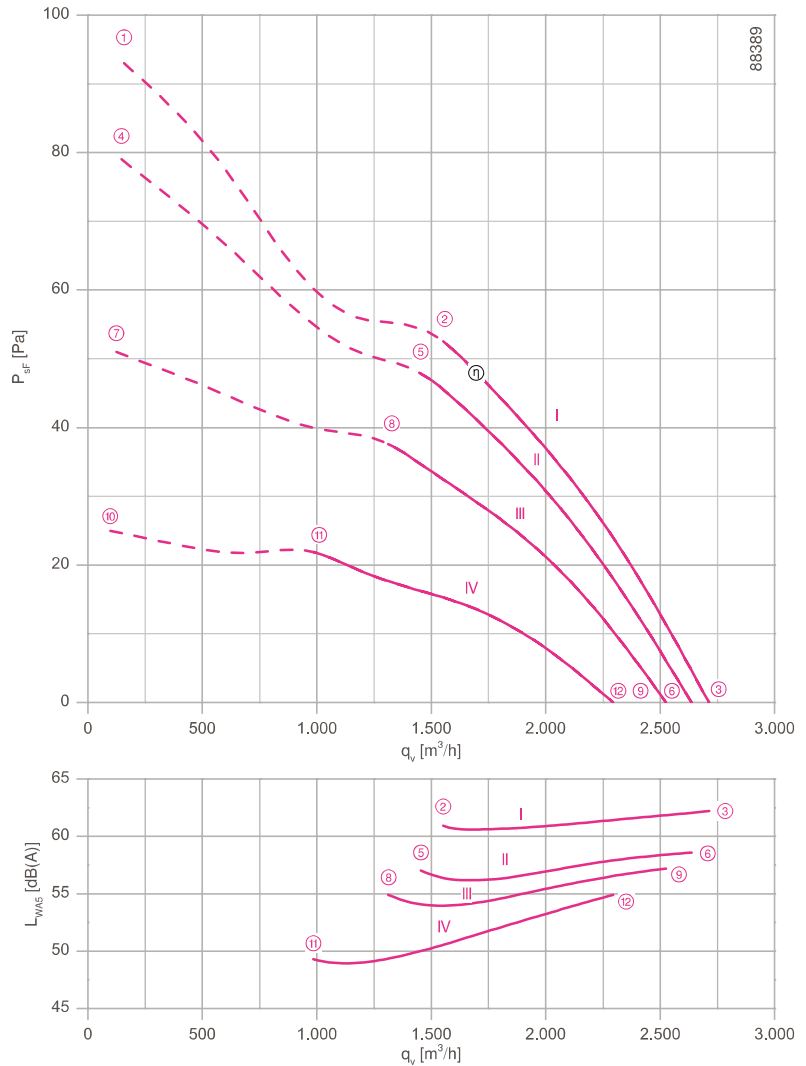
FNO40-6E



## Description

Motor technology: AC  
 Rated voltage  $U_N$ : 1~ 230 V $\pm$ 10 %\*  
 Rated frequency  $f_N$ : 50 Hz\* (60Hz data available)  
 Motor input power  $P_1$ : 0.13 kW\*  
 Rated current  $I_N$ : 0.60 A\*  
 Rated speed  $n_N$ : 950 min<sup>-1</sup>\*  
 Starting current  $I_s$ : 1.20 A  
 Current increase  $\Delta I$ : 0 %  
 Service capacitor  $C_{400V}$ : 5.0  $\mu$ F  
 Thermal class: THCL155\*  
 Min. permitted conveyor temperature  $t_{R(min)}$ : -25 °C  
 Max. permitted conveyor temperature  $t_{R(max)}$ : 70 °C  
 Electrical connection: Terminal box  
 Number of blades: 7  
 Protection class: IP54  
 Motor protection: Thermal contact  
 Blades: High Performance Composite Material, uncoated, black  
 Rotor: Aluminium, 1 coat paint, black  
 Conformity: CE  
**ErP Data**  
 Is not subject to the ErP Guidelines ( $P_1 < 125$  W)  
 \* Rated data

## Characteristic curve



Measured in full bell mouth without guard grille in installation type A according to ISO 5801.

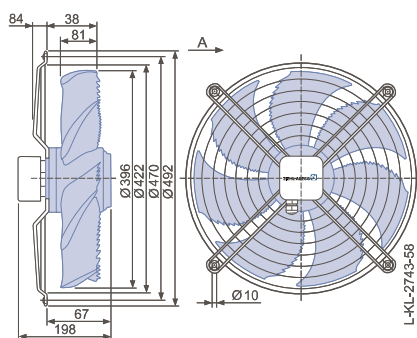
➤ Connection diagrams Page 608  
 for airflow direction V 1360-104XA  
 for airflow direction A 1360-104XB

➤ System components Page 524

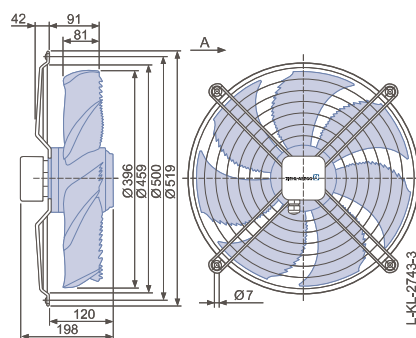
## Dimensions [mm]

### Airflow direction A

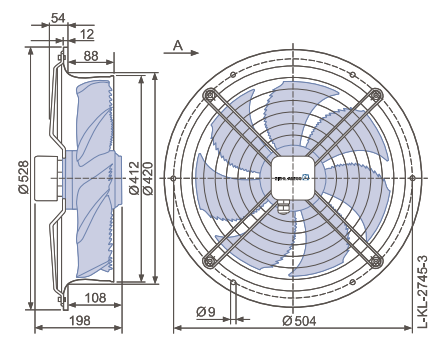
Design W - axial bolted, mounting for short bell mouth E



Design D - axial bolted, suspension for full bell mouth Q and L



Design L - round, full bell mouth



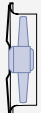

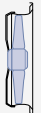
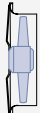


Performance data

| Type            | Characteristic curve | Voltage     | Operating point | Current      | Motor input power | Speed                  | Suction side sound power level<br>$L_{WA5}$ [dB] |
|-----------------|----------------------|-------------|-----------------|--------------|-------------------|------------------------|--|
|                 |                      | U [V]       |                 | I [A]        | $P_1$ [W]         | n [min <sup>-1</sup> ] |  |
| FN040-6E_OF_7P1 | I                    | 230         | ①               | 0.64         | 140               | 930                    | 61   |
|                 |                      | <b>230*</b> | ②               | <b>0.60*</b> | <b>130*</b>       | <b>950*</b>            |  |
|                 |                      | 230         | ③               | 0.56         | 120               | 970                    |  |
|                 | II                   | 170         | ④               | 0.56         | 95                | 860                    | 57   |
|                 |                      | 170         | ⑤               | 0.50         | 85                | 900                    |  |
|                 |                      | 170         | ⑥               | 0.42         | 70                | 940                    |  |
|                 | III                  | 135         | ⑦               | 0.58         | 75                | 690                    | 55   |
|                 |                      | 135         | ⑧               | 0.50         | 70                | 800                    |  |
|                 |                      | 135         | ⑨               | 0.40         | 55                | 900                    |  |
|                 | IV                   | 110         | ⑩               | 0.52         | 55                | 490                    | 49   |
|                 |                      | 110         | ⑪               | 0.50         | 55                | 610                    |  |
|                 |                      | 110         | ⑫               | 0.42         | 46                | 820                    |  |

\*rated data

Fan ordering information

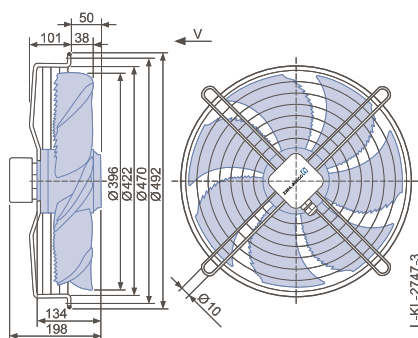
| Design  | W   | D   | L   | K   | Q   | H                        |
|---|---|---|---|---|---|--------------------------|
|  |  |  |  |  |  |                          |
| <b>Type</b>   | <b>FN040-6EW.0F.A7P1</b>  | <b>FN040-6ED.0F.A7P1</b>  | <b>FN040-6EL.0F.A7P1</b>  | <b>FN040-6EK.0F.V7P1</b>  | <b>FN040-6EQ.0F.V7P1</b>  | <b>FN040-6EH.0F.V7P1</b> |
| <b>Article no.</b>  | <b>155290</b>   | <b>152910</b>   | <b>152911</b>   | <b>152915</b>   | <b>152916</b>   | <b>152914</b>            |
| <b>Weight [kg]</b>  | 5.70  | 5.10  | 7.80  | 5.50  | 8.70  | 7.80                     |

Control technology

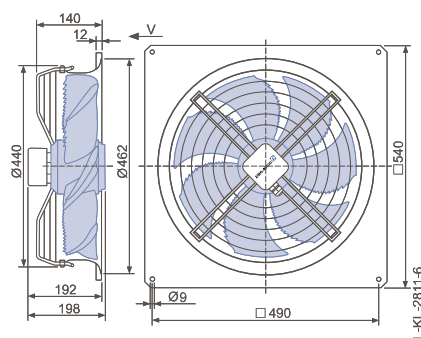
| Frequency inverter<br>Fcontrol 1~   | Motor protection units<br>1~  | Transformer-based<br>controllers 1~   | Electronic voltage<br>controllers 1~   |
|---|---|---|--|
|  |  |  |  |
| ➤ Page 552  | ➤ Page 596  | ➤ Page 587  | ➤ Page 562   |

Airflow direction V

Design K - axial bolted, mounted for short bell mouth E



Design Q - square, full bell mouth



Design H - pipe sockets with a flange

