

Movement by Perfection



The Royal League in **ventilation**, control and drive technology



Product documentation

Type
FN045-4EK.2F.V7P2

Article number
141715

Product documentation

Customer

Project

Type
FN045-4EK.2F.V7P2

Article number
141715



Contents

| | | |
|----|------------------------------|---|
| 1. | Product specification | 3 |
| 2. | Characteristic curve | 4 |
| 3. | Drawing | 5 |
| 4. | Connection diagram | 7 |
| 5. | EU-Declaration of conformity | 8 |

1. Product specification

Technical data

| | |
|-------------------------------|---|
| Article number | 141715 |
| Type | FN045-4EK.2F.V7P2 |
| Designation | Axial fan with sickle blades |
| Rated values | 1~230V±10% 50Hz P ₁ 390W 1.75A ΔI=10% 1290/min 7.0uF/400V PsF max.100PA 55°C |
| Electrical connection | Terminal box K05 |
| Min. operating temperature °C | -25*** |
| Mounting type terminal box | Mounted on Stator |
| Type of protection | IP54 |
| Thermal class | THCL155 |
| Connection diagram | 1360-104XA |
| Rating plate | 1x fixed |
| Fitting position | H/Vu/Vo |
| Motor protection | thermal contact |
| Impregnation | Moisture and hot climate protection |
| Quality of bearings | ball bearing with long-time lubrication |
| Material Rotor | Aluminium |
| Painting rotor | Rotor 1 coat painted |
| colour rotor | RAL 9005 (jet black) |
| Material blades | High Performance Composite Material |
| Painting impeller | unpainted |
| Colour blades | black |
| Guard grille type | ring grill |
| Control | -- |
| Painting mot.suspens | Motor suspension powder-coated consistency class 2 |
| colour suspension | RAL 9005 (jet black) |
| Weight kg | 6,60 |
| ErP Data | Efficiency η_{statA} : 27,3 % Efficiency grade: $N_{actual} = 36,2 / N_{target} = 36^*$ *ErP 2013* Does not comply with the stipulations of the ErP regulations |

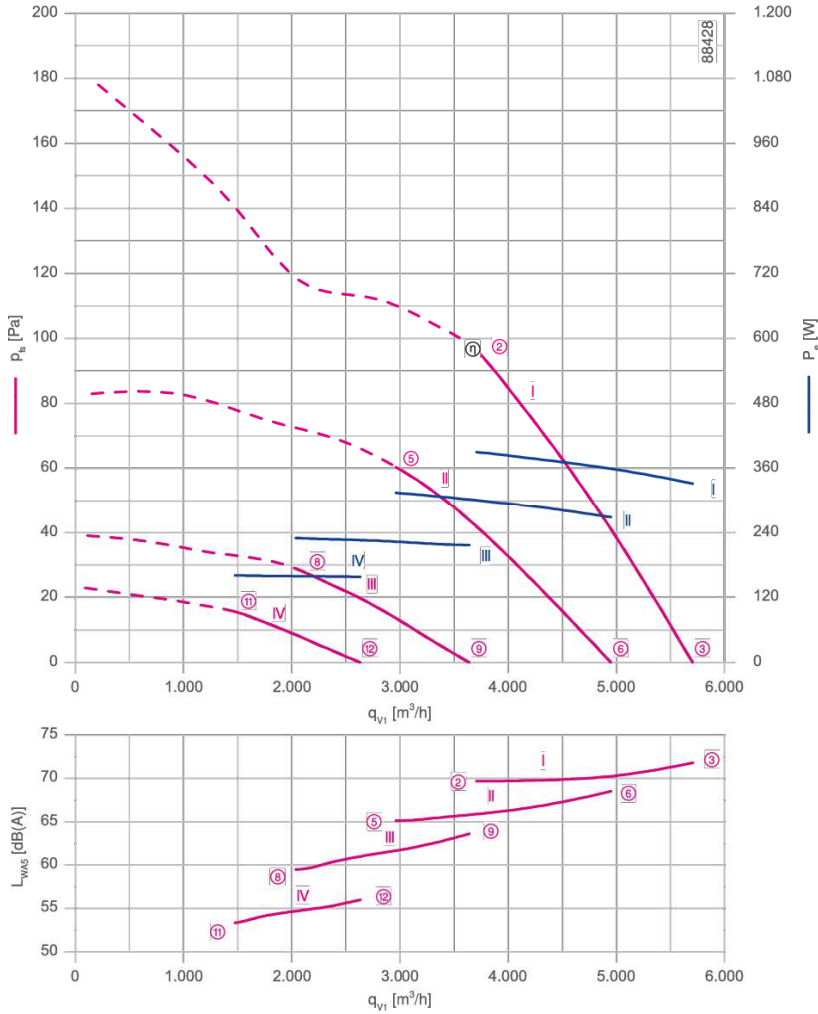
*** Occasional operation $\leq -20^{\circ}\text{C}$ and in consideration of lowest temperature according to product documentation permissible. For cooling applications with continuous operation $\leq -20^{\circ}\text{C}$ cold design on request.

2. Characteristic curve

Characteristic curve

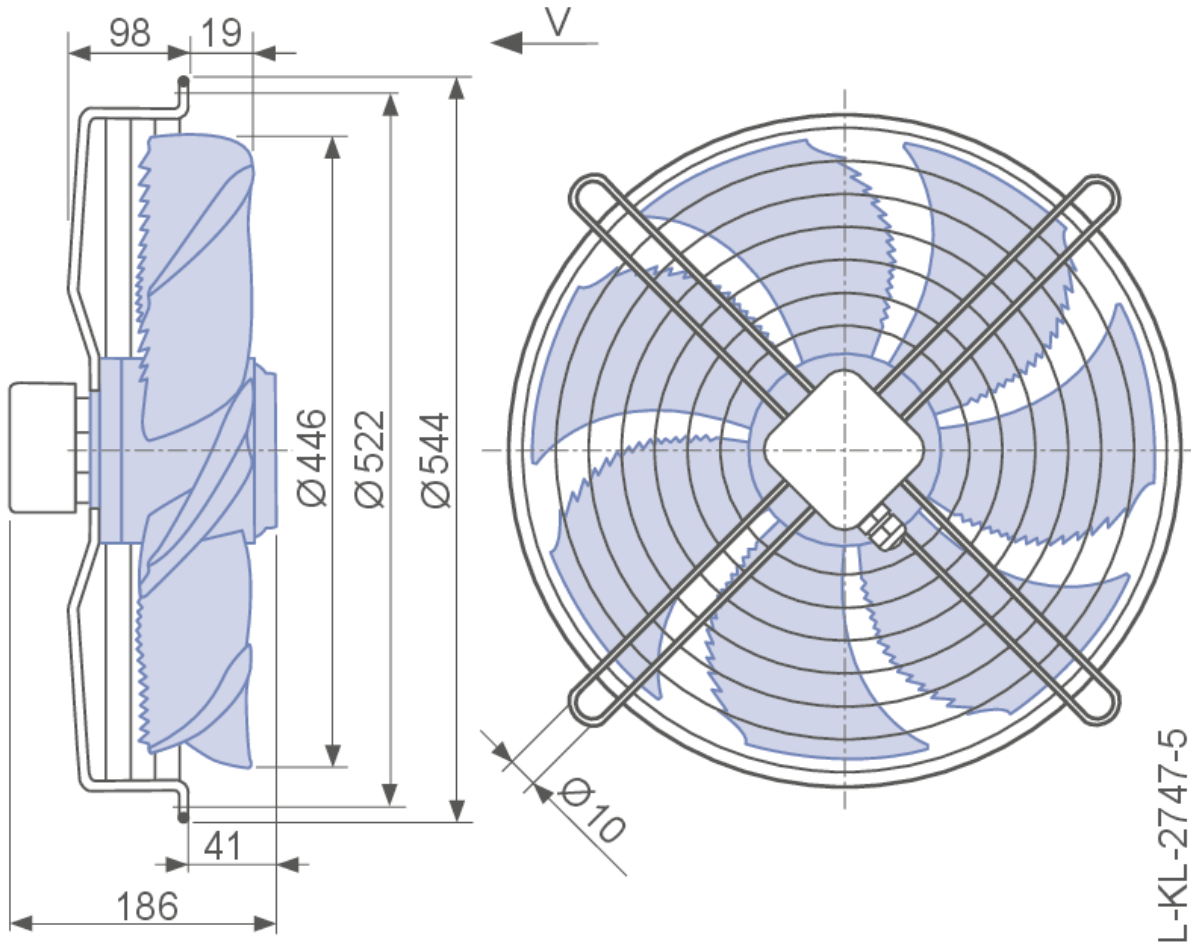
Frequency: 50 Hz

Measured in full nozzle without guard grille in installation type A according to ISO 5801.

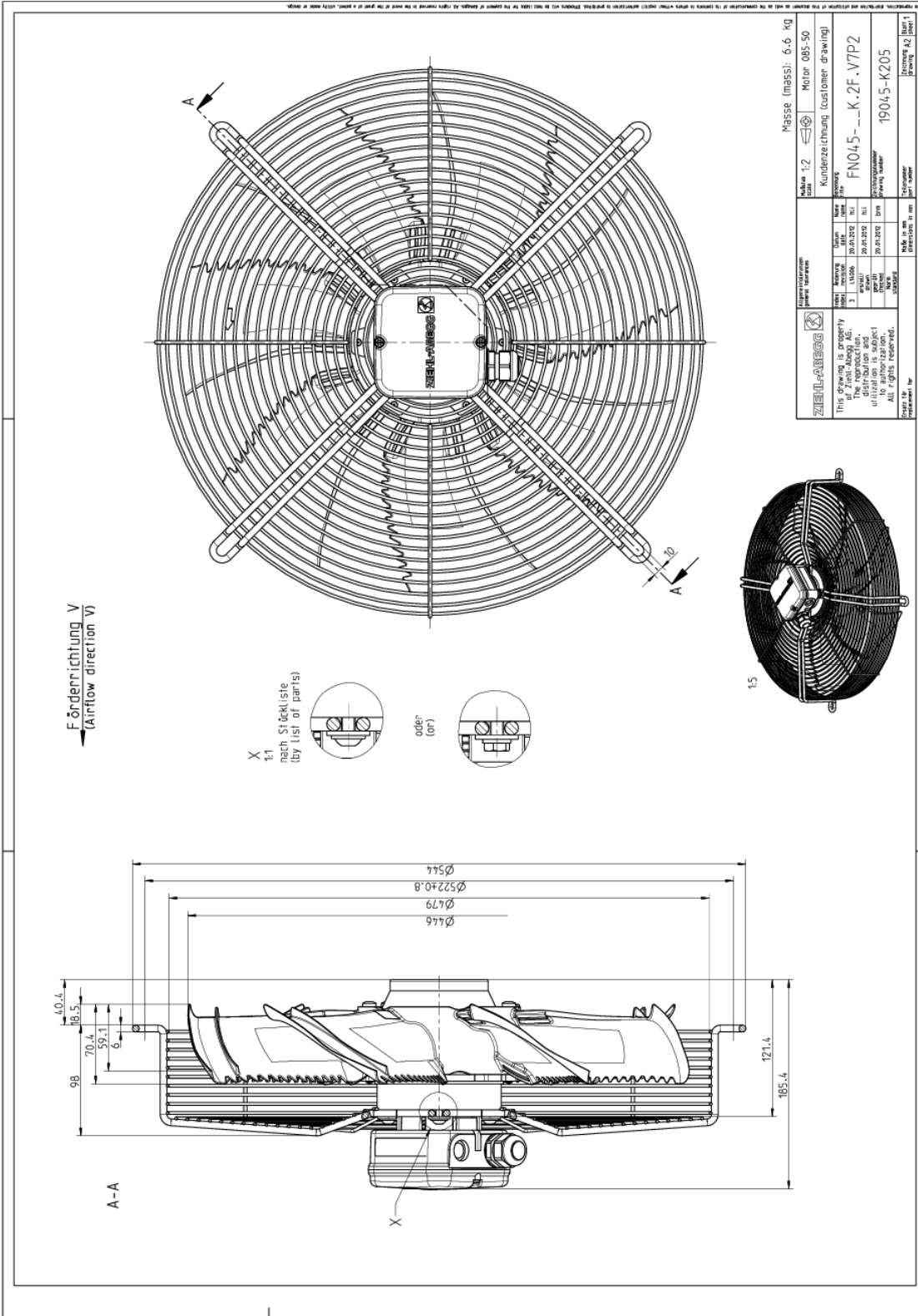


| | | | | | | | | | |
|--------------------------------|-------------------|------|------|------|------|------|------|------|------|
| Operating point | | ② | ③ | ⑤ | ⑥ | ⑨ | ⑨ | ⑪ | ⑫ |
| Characteristic curve | | I | I | II | II | III | III | IV | IV |
| Connection | | L | L | L | L | L | L | L | L |
| Voltage | V | 230 | 230 | 170 | 170 | 135 | 135 | 110 | 110 |
| Input power | W | 390 | 330 | 320 | 270 | 230 | 220 | 160 | 160 |
| Current | A | 1,75 | 1,50 | 1,90 | 1,60 | 1,75 | 1,65 | 1,55 | 1,50 |
| Speed | min ⁻¹ | 1290 | 1340 | 1030 | 1170 | 710 | 870 | 530 | 630 |
| Suction side sound power level | dB(A) | 70 | 72 | 65 | 69 | 60 | 64 | 53 | 56 |

3. Drawing



The Royal League Die Königsklasse



Dimensions in mm
Shown drawing is just to show the dimensions of the fan.

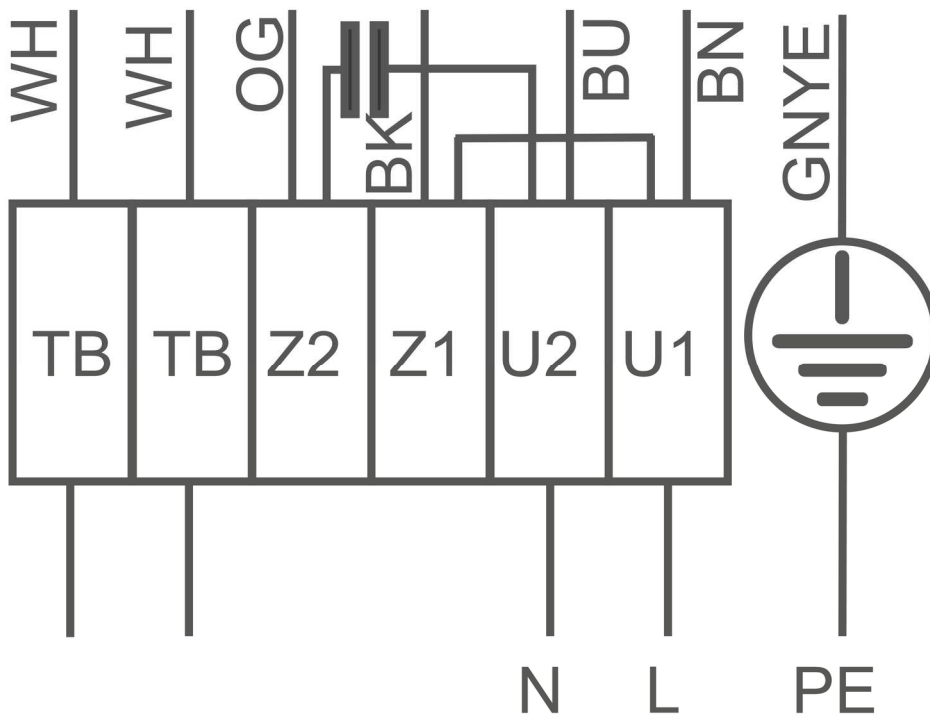
4. Connection diagram

1360-104XA

1~Motor with capacitor and thermostatic switch (if built in).

- BN brown
- BU blue
- BK black
- OG orange
- WH white
- GNYE green-yellow

Clockwise rotation



5. EU-Declaration of conformity



The Royal League in ventilation, control and drive technology

Intelligent control technology for any application

ZIEHL-ABEGG system capabilities:

Everything from a single source – perfectly matched for optimal performance

Please contact us. We would be pleased to design an individual solution for your requirements.

We would like to welcome you on our worldwide exhibitions. Please find our next exhibitions [here](#).