

# FE2owlet

for single phase alternating current, 4 pole

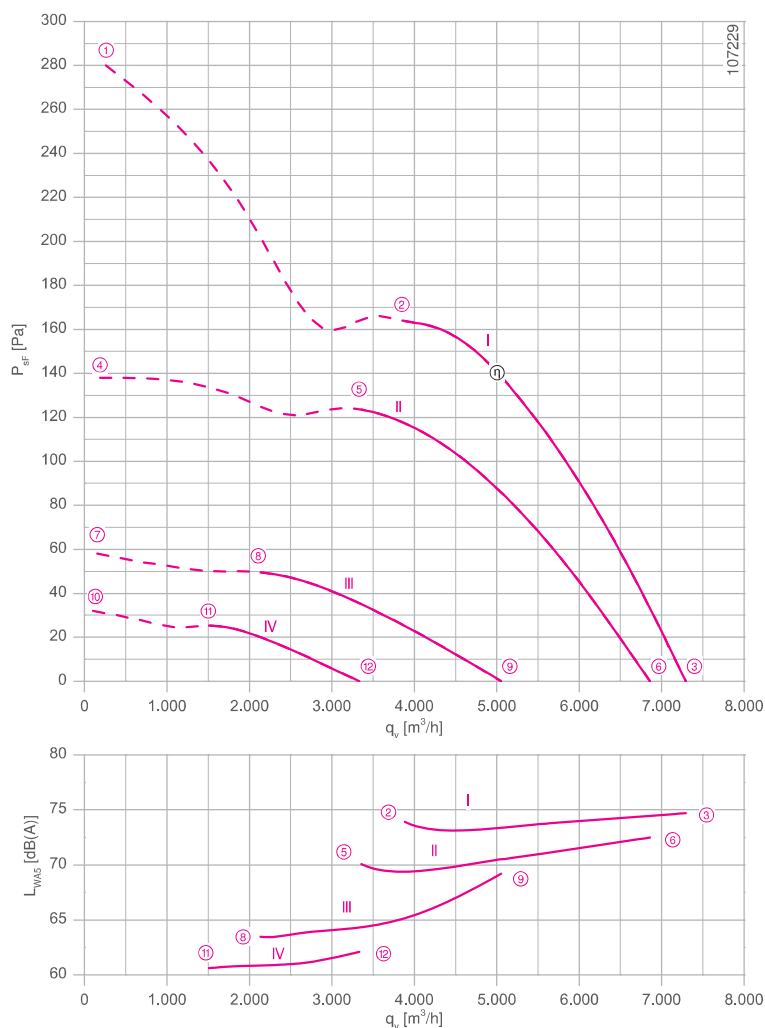
FNO45-4E



## Description

Motor technology: AC  
 Rated voltage  $U_N$ : 1 ~ 230 V ± 10 %\*  
 Rated frequency  $f_N$ : 50 Hz\*  
 Input power  $P_i$ : 0.60 kW\*  
 Rated current  $I_N$ : 2.90 A\*  
 Rated speed  $n_N$ : 1390 min<sup>-1</sup>\*  
 Starting current  $I_s$ : 6.50 A  
 Current increase  $\Delta I$ : 25 %  
 Service capacitor  $C_{400V}$ : 14.0  $\mu$ F  
 Thermal class: THCL155\*  
 Min. permitted ambient temperature  $t_{R(min)}$ : -25 °C  
 Max. permitted ambient temperature  $t_{R(max)}$ : 70 °C  
 Electrical connection: Terminal box  
 Number of blades: 7  
 Protection class: IP54  
 Motor protection: thermal contact  
 Blades: Aluminium, uncoated  
 Rotor: Aluminium, uncoated  
 Conformity: ErP 2015, CE  
**ErP-data**  
 Efficiency  $\eta_{statA}$ : 34.0 %  
 Efficiency:  $N_{actual} = 41.8 / N_{target} = 40$ \*\*  
 \* Rated data  
 \*\*ErP 2015

## Characteristic curve



Measured in full bell mouth without guard grille in installation type A according to ISO 5801

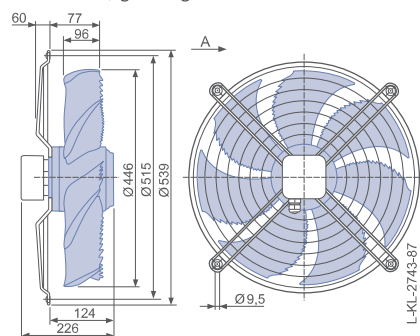
Connection diagram Page 531  
 for airflow direction A 1360-104XB  
 for airflow direction V 1360-104XA

System components Page 430

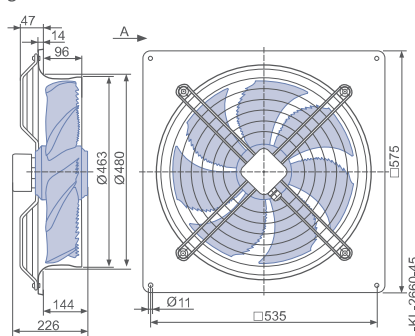
## Dimensions mm

### Airflow direction A

Design W - axial bolted, mounting for short bell mouth, guard grille suction side

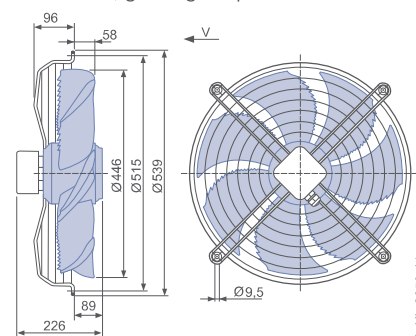


Design Q - square full bell mouth, guard grille suction side



### Airflow direction V

Design K - axial bolted, mounted for short bell mouth, guard grille pressure side



Performance data

Type	Characteristic curve	Voltage	Operating point	Current	Input power	Speed	Suction side sound power level $L_{WA5}$ dB(A)
		U V		I A	$P_1$ W	n min <sup>-1</sup>	
FN045-4E_.4I_.7P1	I	230	①	3.50	740	1350	
		230*	②	2.90*	600*	1390*	74
		230	③	2.40	500	1420	75
	II	170	④	4.40	620	940	
		170	⑤	3.50	540	1200	70
		170	⑥	2.70	420	1330	73
	III	135	⑦	3.70	390	610	
		135	⑧	3.50	390	760	64
		135	⑨	3.30	370	980	69
	IV	110	⑩	3.00	250	450	
		110	⑪	2.90	250	530	61
		110	⑫	2.90	250	650	62

\*rated data

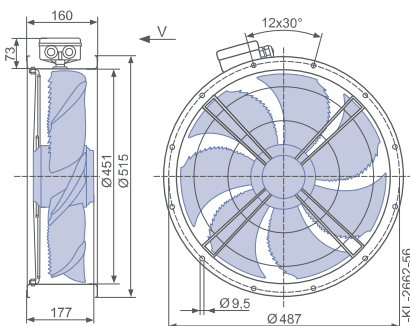
Fan ordering information

Design	Airflow direction A		Airflow direction V		
	W (guard grille suction side)	Q (guard grille suction side)	K (guard grille pressure side)	F (without guard grille)	Q (guard grille pressure side)
<b>Type</b>	<b>FN045-4EW.4I.A7P1</b>	<b>FN045-4EQ.4I.A7P1</b>	<b>FN045-4EK.4I.V7P1</b>	<b>FN045-4EF.4I.V7P1</b>	<b>FN045-4EQ.4I.V7P1</b>
<b>Article no.</b>	<b>167870</b>	<b>167871</b>	<b>167804</b>	<b>167872</b>	<b>167874</b>
<b>Weight kg</b>	12.60	16.20	12.60	15.70	16.30

Control technology

<p>Frequency inverters Fcontrol 1~</p> <p>Page 474</p>	<p>Motor protection units 1~</p> <p>Page 518</p>	<p>Electronic voltage controllers 1~</p> <p>Page 492</p>
--	--	--

Design F - flange ring with two flanges, without guard grille



Design Q - square full bell mouth, guard grille pressure side

