



Performance data

Type	Connection	Characteristic curve	Voltage	Operating point	Current	Input power	Speed	Suction side sound power level $L_{WA5}$ dB(A)
			U V					
FN050-SD_4F_7P1	Δ	I	400	①	0.82	350	830	
			400*	②	0.74*	290*	880*	66
			400	③	0.66	230	920	68
	Y	II	400	④	0.38	160	510	
			400*	⑤	0.36*	150*	590*	58
			400	⑥	0.33	140	700	62

\*rated data

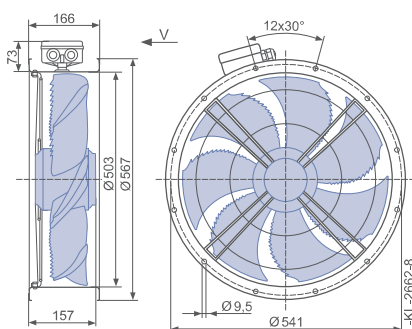
Fan ordering information

Design	Airflow direction A			Airflow direction V		
	W (guard grille suction side)	Q (guard grille suction side)	K (guard grille pressure side)	F (without guard grille)	F (guard grille pressure side)	Q (guard grille pressure side)
<b>Type</b>	FN050-SDW.4F.A7P1	FN050-SDQ.4F.A7P1	FN050-SDK.4F.V7P1	FN050-SDF.4F.V7P1	FN050-SDF.4F.V7P1	FN050-SDQ.4F.V7P1
<b>Article no.</b>	155656	140085	140058	140069	140075	140063
<b>Weight kg</b>	11.70	18.60	11.80	15.30	16.00	16.30

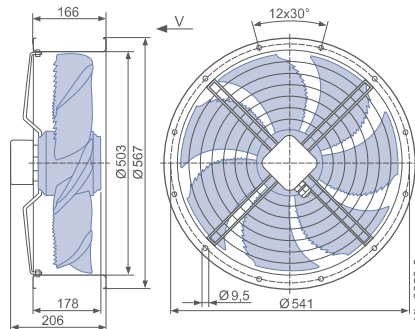
Control technology

	Frequency inverters Fcontrol 3~	Motor protection units 3~	Electronic voltage controllers 3~
	Page 480	Page 518	Page 506

Design F - flange ring with two flanges, without guard grille



Design F - flange ring with two flanges, guard grille pressure side



Design Q - square full bell mouth, guard grille pressure side

