







Performance data

Type	Connection	Characteristic curve	Voltage	Operating point	Current	Input power	Speed	Suction side sound power level L_{WA5} dB(A)
			U V					
FN056-SD_4F_7P2	Δ	I	400	①	0.84	440	810	
			400*	②	0.70*	340*	870*	72
			400	③	0.58	250	920	72
	Y	II	400	④	0.42	230	530	
			400*	⑤	0.38*	210*	630*	64
			400	⑥	0.31	170	750	67

*rated data

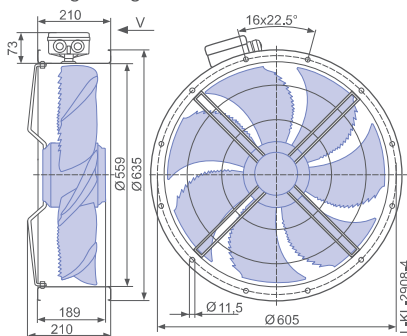
Fan ordering information

Design	Airflow direction A			Airflow direction V		
	W (guard grille suction side)	Q (guard grille suction side)	K (guard grille pressure side)	F (without guard grille)	F (guard grille pressure side)	Q (guard grille pressure side)
						
Type	FN056-SDW.4F.A7P2	FN056-SDQ.4F.A7P2	FN056-SDK.4F.V7P2	FN056-SDF.4F.V7P2	FN056-SDF.4F.V7P2	FN056-SDQ.4F.V7P2
Article no.	159449	159451	159453	159457	159456	159455
Weight kg	12.70	22.20	11.90	17.00	17.90	19.80

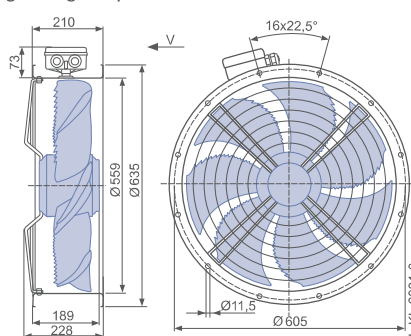
Control technology

<p>Frequency inverters Fcontrol 3~</p>  <p>Page 480</p>	<p>Motor protection units 3~</p>  <p>Page 518</p>	<p>Electronic voltage controllers 3~</p>  <p>Page 506</p>
---	---	---

Design F - flange ring with two flanges, without guard grille



Design F - flange ring with two flanges, guard grille pressure side



Design Q - square full bell mouth, guard grille pressure side

