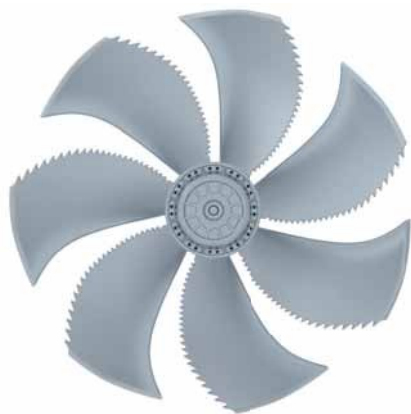


# FE2owlet

for three phase alternating current, 6-6 pole

FNO63-SD



## Description

Motor technology: AC  
 Rated voltage  $U_N$ : 3- 400 V ( $\Delta/Y$ )  $\pm 10$  %  
 Rated frequency  $f_N$ : 50 Hz\* (60Hz data available)  
 Input power  $P_i$ : 0.62/0.44 kW\*  
 Rated current  $I_N$ : 1.25/0.72 A\*  
 Rated speed  $n_N$ : 900/ 720  $\text{min}^{-1}$ \*  
 Starting current  $I_s$ : 4.40 / 1.40 A  
 Current increase  $\Delta I$ : 15 %  
 Thermal class: THCL155\*  
 Min. permitted ambient temperature  $t_{R(\text{min})}$ : -40 °C \*\*\*  
 Max. permitted ambient temperature  $t_{R(\text{max})}$ : 70 °C  
 Electrical connection: Terminal box  
 Number of blades: 7  
 Protection class: IP54  
 Motor protection: thermal contact  
 Blades: Aluminium, uncoated  
 Rotor: Aluminium, uncoated  
 Conformity: ErP 2015, CE

## ErP-data

Efficiency  $\eta_{\text{statA}}$ : 33.8 %  
 Efficiency:  $N_{\text{actual}} = 41.6 / N_{\text{target}} = 40$ \*\*

\* Rated data

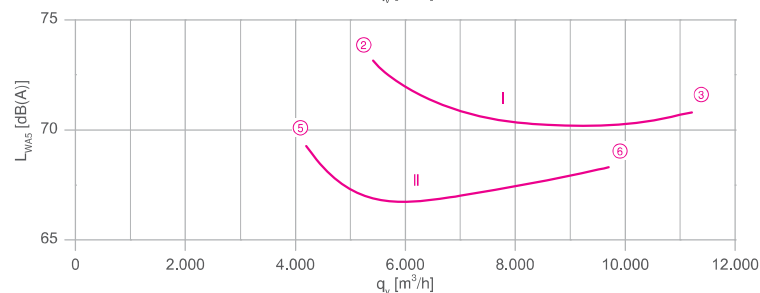
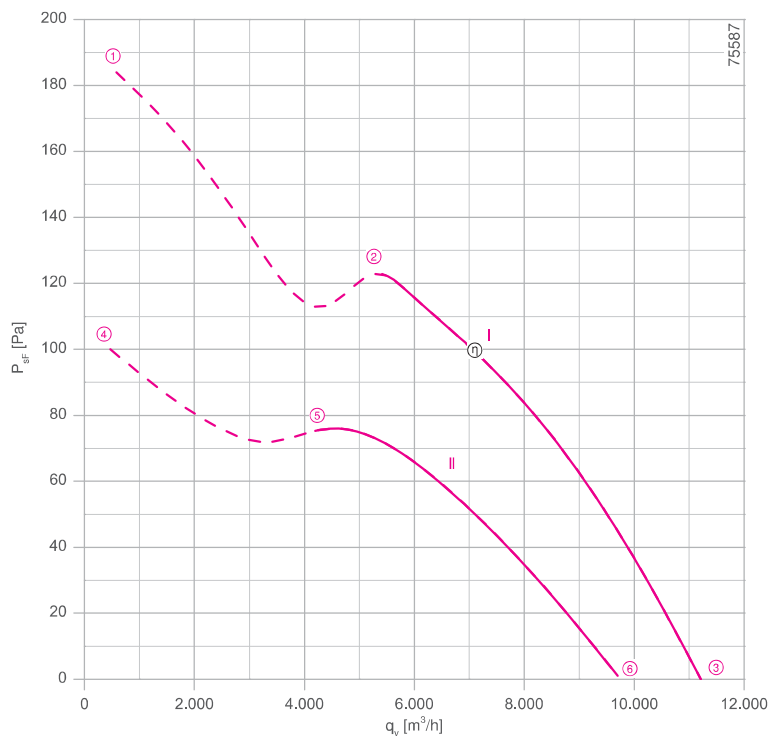
\*\*ErP 2015

\*\*\* Continuous operation with occasional starts (S1) according to DIN EN 60034-1:2011-02. Occasional starting between -40 °C and -25 °C is permissible. Continuous operation below -25 °C only with special bearings for refrigeration applications on request.

Connection diagram Page 531  
 for airflow direction A 1360-108XB  
 for airflow direction V 1360-108XA

System components Page 430

## Characteristic curve

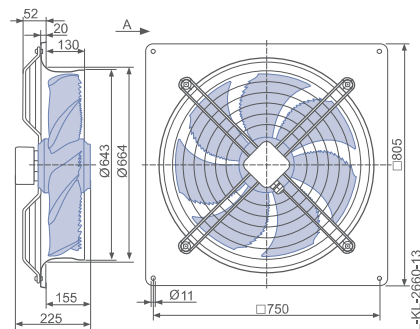


Measured in full bell mouth without guard grille in installation type A according to ISO 5801

## Dimensions mm

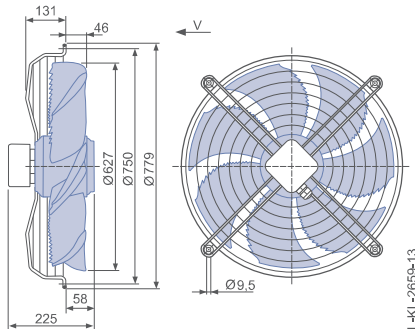
### Airflow direction A

Design Q - square full bell mouth, guard grille suction side

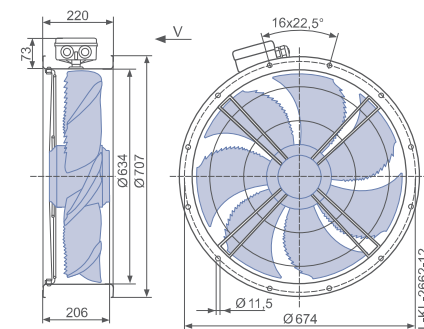


### Airflow direction V

Design K - axial bolted, mounted for short bell mouth, guard grille pressure side



Design F - flange ring with two flanges, without guard grille



Performance data

Type	Connection	Characteristic curve	Voltage	Operating point	Current	Input power	Speed	Suction side sound power level $L_{WA5}$ dB(A)
			U V		I A	$P_1$ W		
FN063-SD_4I_7P1	Δ	I	400	①	1.45	800	870	
			400*	②	1.25*	620*	900*	73
			400	③	1.05	440	940	71
	Y	II	400	④	0.86	520	640	
			400*	⑤	0.72*	440*	720*	69
			400	⑥	0.56	330	820	68

\*rated data

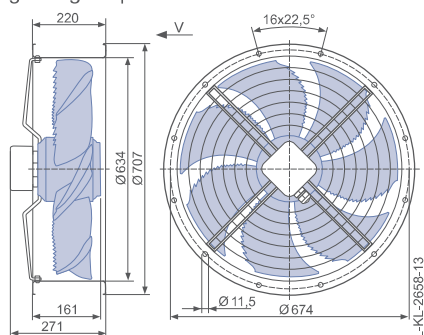
Fan ordering information

	Airflow direction A	Airflow direction V			
Design	Q (guard grille suction side)	K (guard grille pressure side)	F (without guard grille)	F (guard grille pressure side)	Q (guard grille pressure side)
Type	FN063-SDQ.4I.A7P1	FN063-SDK.4I.V7P1	FN063-SDF.4I.V7P1	FN063-SDF.4I.V7P1	FN063-SDQ.4I.V7P1
Article no.	141382	141384	141386	141387	141385
Weight kg	24.50	15.40	19.90	20.80	23.90

Control technology

Frequency inverters Fcontrol 3~	Motor protection units 3~	Electronic voltage controllers 3~
Page 480	Page 518	Page 506

Design F - flange ring with two flanges, guard grille pressure side



Design Q - square full bell mouth, guard grille pressure side

