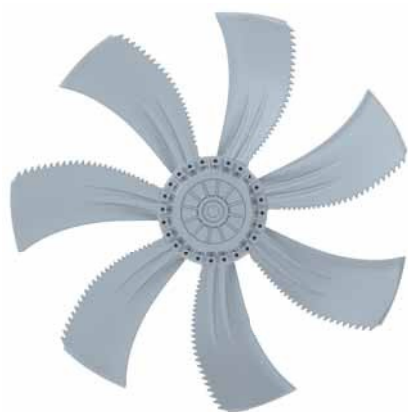


FE2owlet

for three phase alternating current, 4-4 pole

FNO71-VD



Description

Motor technology: AC
 Rated voltage U_N : 3- 400 V (Δ/Y) ± 10 %*
 Rated frequency f_N : 50 Hz*
 Input power P_i : 2.60/1.70 kW*
 Rated current I_N : 4.80/2.90 A*
 Rated speed n_N : 1330/1050 min⁻¹*
 Starting current I_s : 20.00 / 6.50 A
 Current increase ΔI : 5 %
 Thermal class: THCL155*
 Min. permitted ambient temperature $t_{R(min)}$: -40 °C ***
 Max. permitted ambient temperature $t_{R(max)}$: 60 °C

Electrical connection: Terminal box
 Number of blades: 7
 Protection class: IP54
 Motor protection: thermal contact
 Blades: Aluminium, uncoated
 Rotor: Aluminium, uncoated
 Conformity: ErP 2015, CE

ErP-data

Efficiency η_{statA} : 37.9 %
 Efficiency: $N_{actual} = 41.7 / N_{target} = 40$ **

* Rated data

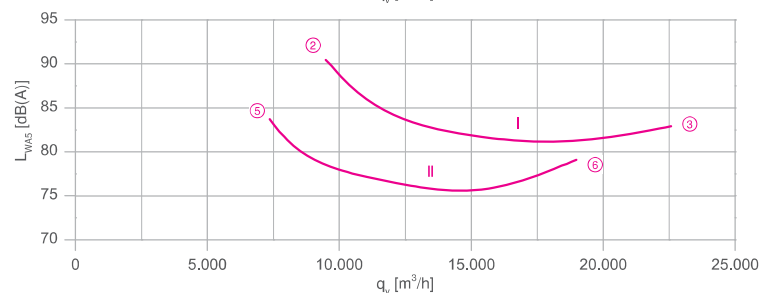
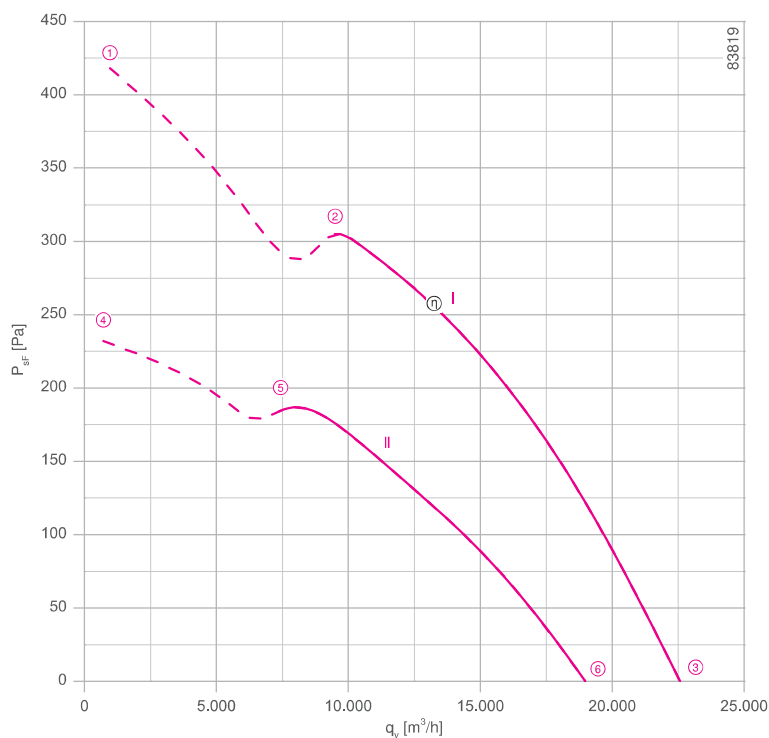
**ErP 2015

*** Continuous operation with occasional starts (S1) according to DIN EN 60034-1:2011-02. Occasional starting between -40 °C and -25 °C is permissible. Continuous operation below -25 °C only with special bearings for refrigeration applications on request.

Connection diagram Page 531
 for airflow direction A 1360-108XB
 for airflow direction V 1360-108XA

System components Page 430

Characteristic curve

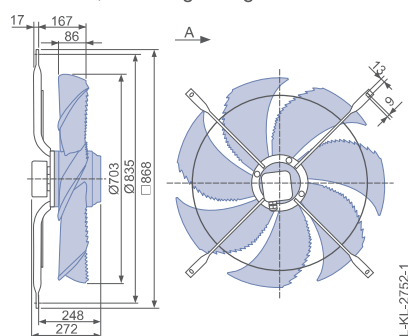


Measured in full bell mouth without guard grille in installation type A according to ISO 5801

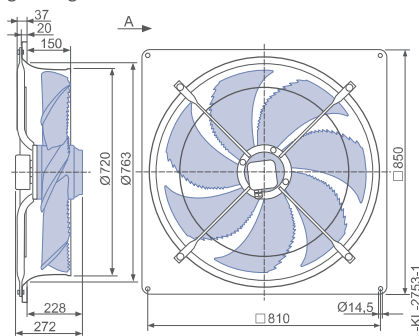
Dimensions mm

Airflow direction A

Design D - axial bolted, suspension for full bell mouth, without guard grille

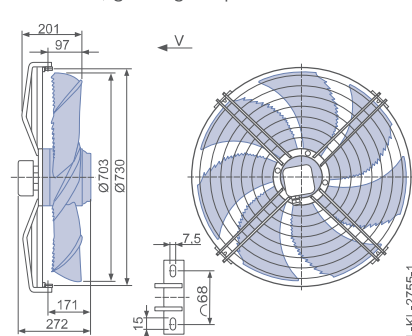


Design Q - square full bell mouth, without guard grille



Airflow direction V

Design S - radially bolted, mounted for short bell mouth, guard grille pressure side



Performance data

Type	Connection	Characteristic curve	Voltage	Operating point	Current	Input power	Speed	Suction side sound power level L_{WA5} dB(A)
			U V					
FN071-VD_6N_7P2	Δ	I	400	①	5.60	3100	1290	
			400*	②	4.80*	2600*	1330*	91
			400	③	3.90	1900	1390	83
	Y	II	400	④	3.20	1900	960	
			400*	⑤	2.90*	1700*	1050*	84
			400	⑥	2.30	1400	1170	79

*rated data

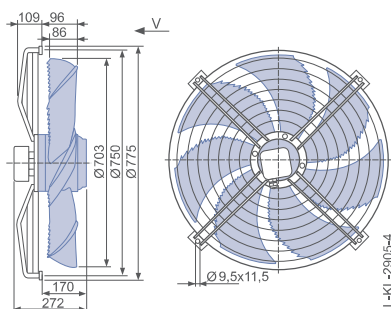
Fan ordering information

	Airflow direction A		Airflow direction V		
Design	D (without guard grille)	Q (without guard grille)	S (guard grille pressure side)	I (guard grille pressure side)	Q (guard grille pressure side)
Type	FN071-VDD.6N.A7P2	FN071-VDQ.6N.A7P2	FN071-VDS.6N.V7P2	FN071-VDI.6N.V7P2	FN071-VDQ.6N.V7P2
Article no.	141760	141761	141782	155556	141777
Weight kg	25.90	36.90	28.90	29.10	39.60

Control technology

	Frequency inverters Fcontrol 3~	Motor protection units 3~	Electronic voltage controllers 3~
	Page 480	Page 518	Page 506

Design I - axial bolted, mounting for bell mouth flange, guard grille pressure side



Design Q - square full bell mouth, guard grille pressure side

