

220-240V 50Hz 1~**GENERAL DATA****Application:** MBP**Refrigerant:** R290**Compressor Cooling:** Fan**Fan air flow:** 520 m³/h**Maximum Condensing Pressure - Operating:** 18.07 bar**Maximum Condensing Pressure - Peak:** 20.16 bar**Type:** Hermetic reciprocating**Technology Type:** On-Off**Expansion Device:** Capillary Tube or Expansion Valve**Packing Quantity:** Single - 1 pc**Displacement:** 14.5 cm³**Horse power:** 1/2 hpApprovals:  **MECHANICAL DATA****Bore:** 34.12 mm**Stroke:** 15.87 mm**Oil Charge:** 450ml +/-15ml**Free Internal Volume:** 3.3 cm³**Maximum Recommended Refrigerant Charge:** 800 ml**Oil Type Configuration:** Polyolester**Oil Type Viscosity:** ISO22**Compressor pressurization:** Without dry air charge**Weight:** 16.8 kg**ELECTRICAL DATA****Motor Type:** CSIR**Starting Torque:** HST**Voltage working range at 50 Hz:** 198-254 V**Maximum Motor Temperature:** 130 °C**Start Winding Resistance:** 12.53 Ω (± 10%) at 25°C**Run Winding Resistance:** 2.43 Ω (± 10%) at 25°C**MOUNTING ACCESSORIES**

	Description	Code
Anchorage:	no	-
Grommets:	yes	2221004
Sleeves:	yes	2222016
Washer:	no	-
Pin:	no	-
Clip:	no	-
Rotolock valve:	no	-
Cover:	yes	2075282
Terminal Board:	yes	1027060
Overload Protector Bracket:	yes	2075299
Capacitor Bracket:	yes	2255007

ELECTRICAL COMPONENTS

	Component type	Description	Code
Motor Protection:	External 3/4"	T0645/G6	2319086
Start Capacitor:		53-64 MFD 330V	2252366
Starting Device:	Current relay	MTRPH-54-65	2334133

EXTERNAL CHARACTERISTICS**Base Plate:** Universal**Tray Holder:** No**Height:** 220 mm

	Internal Diameter (mm)	Material	Shape
Suction Connector	9.6	Copper	Vertical
Discharge Connector	6.42	Copper	Vertical
Process Connector	6.42	Copper	Vertical



RATED POINT DATA

Cooling Capacity (W)	Power Consumption (W)	Current Consumption (A)	Gas Flow Rate (kg/h)	Efficiency (w/W)
±5%	±5%	±5%	±5%	±7%
527	685	4.18	0.00	0.77

Test condition: ASHRAE, Fan, Return Gas 35°C, Subcooling 8.3K, Evaporating: 7.2°C, Condensing: 54°C, Ambient: 35°C

PERFORMANCE CURVE DATA**220V 50Hz**

Condensing Temperature (°C)	Evaporating Temperature (°C)	Cooling Capacity (W)	Power Consumption (W)	Current Consumption (A)	Gas Flow Rate (kg/h)	Efficiency (w/W)
		±5%	±5%	±5%	±5%	±7%
35°C	10	2 620	538	3.65	0.00	4.87
	5	2 209	524	3.60	0.00	4.22
	0	1 843	507	3.54	0.00	3.64
	-5	1 520	486	3.48	0.00	3.13
	-10	1 242	463	3.41	0.00	2.68
	-15	1 008	438	3.33	0.00	2.30
	-20	818	409	3.24	0.00	2.00

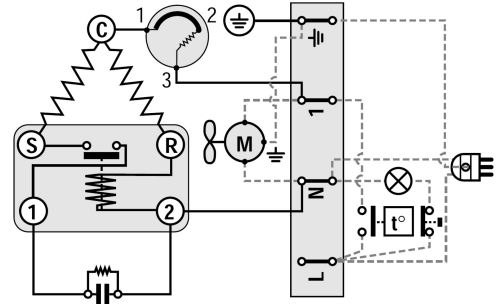
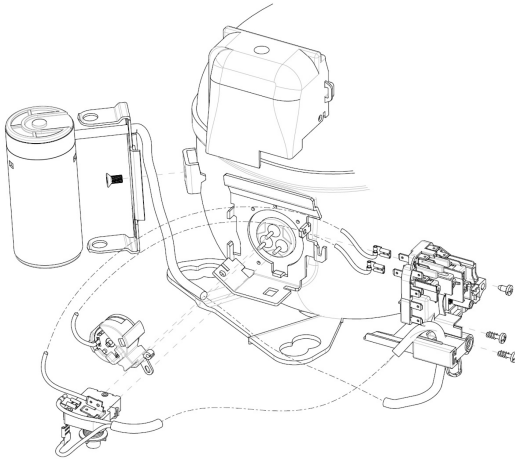
Condensing Temperature (°C)	Evaporating Temperature (°C)	Cooling Capacity (W)	Power Consumption (W)	Current Consumption (A)	Gas Flow Rate (kg/h)	Efficiency (w/W)
		±5%	±5%	±5%	±5%	±7%
45°C	10	2 293	618	3.96	0.00	3.71
	5	1 919	599	3.87	0.00	3.21
	0	1 586	574	3.77	0.00	2.76
	-5	1 293	545	3.67	0.00	2.37
	-10	1 040	510	3.57	0.00	2.04
	-15	827	472	3.45	0.00	1.75
	-20	653	429	3.32	0.00	1.52

Condensing Temperature (°C)	Evaporating Temperature (°C)	Cooling Capacity (W)	Power Consumption (W)	Current Consumption (A)	Gas Flow Rate (kg/h)	Efficiency (w/W)
		±5%	±5%	±5%	±5%	±7%
55°C	10	1 953	709	4.29	0.00	2.75
	5	1 629	680	4.16	0.00	2.40
	0	1 341	644	4.02	0.00	2.08
	-5	1 089	602	3.88	0.00	1.81
	-10	873	553	3.72	0.00	1.58

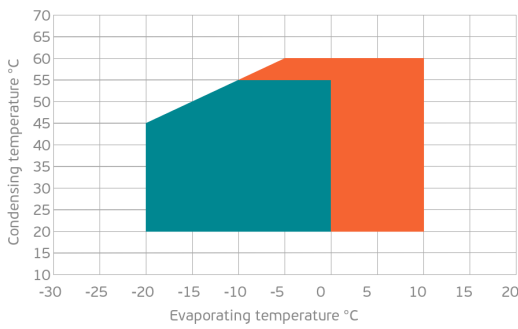
Test condition: ASHRAE, Fan, Return Gas 35°C, Subcooling 8.3K, Evaporating: 7.2°C, Condensing: 54°C, Ambient: 35°C

ASSEMBLY INSTRUCTION

WIRING DIAGRAM

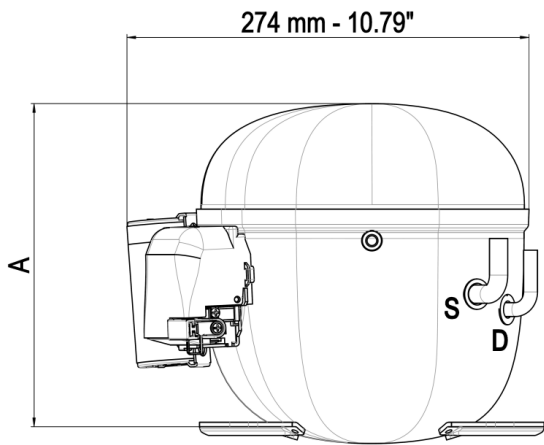


OPERATING ENVELOPE

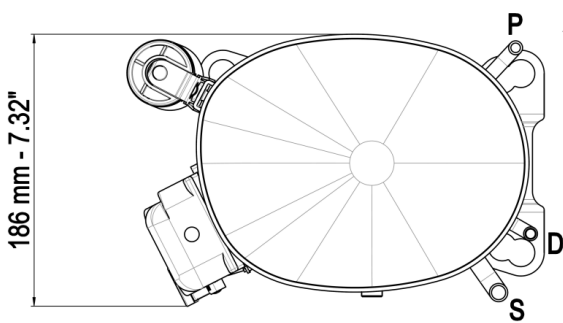


- Operating Condition
- Transient Condition
- Superheating

NOTE: usage of compressors outside of intended working range cannot make use of the warranty, or should be consulted with Technical support.



	∅ mm	∅ in	material
S - Suction	9.60 - 9.67	3/8	Cu
P - Process	6.42 - 6.50	1/4	Cu
S - Discharge	6.42 - 6.50	1/4	Cu



∅ 19 mm - 0.75" (x8)

