

Technical Data Sheet

Compressor model **MS26FB_T**
 Voltage **220-240V 50Hz ~1**
 Refrigerant **R404A**

APPLICATION

Application	Low Back Pressure
Refrigerant	R404A
Evaporating Temp.	-40,0 to -10,0
Expansion	Capillar/Valve
Comp. Cooling	Fan cooled
Max. ambient temp.	43,0

COMPRESSOR

Displacement	25,93 cm ³
Diameter	39,98 mm
Stroke	20,65 mm
Net Weight	22,60 Kg
Oil type	ISO VG 46 ESTER
Oil charge	887 cm ³

MOTOR

Approximate Power	3/4 hp
Voltage/Frequency	220V 50Hz
Voltage range	187-264 V
Type	CSR
Phase number	1 P
Locked rotor current	30,00 A
Main W. resist. at 25°C	2,04
Start W. resist. at 25°C	6,32

NOMINAL PERFORMANCE

	ASHRAE	CECOMAF
Cooling Capacity	1.050 kcal/h	814 W
COP	1,37 W/W	0,96 W/W
EER	1,18 kcal/Wh	0,83 kcal/Wh
Input Power	890 W	848 W
Current	4,50 A	4,31 A

APPROVALS



TEST CYCLE CONDITIONS

	ASHRAE LBP (B)	CECOMAF LBP (A)
Evaporating temp.	-23,3 °C	-25,0 °C
Condensing temp.	55,0 °C	55,0 °C
Liquid temp.	32,0 °C	55,0 °C
Ambient temp.	32,0 °C	32,0 °C
Suction temp.	32,0 °C	32,0 °C
Voltage/Frequency	220 V 50 Hz	220 V 50 Hz

ELECTRICAL COMPONENTS

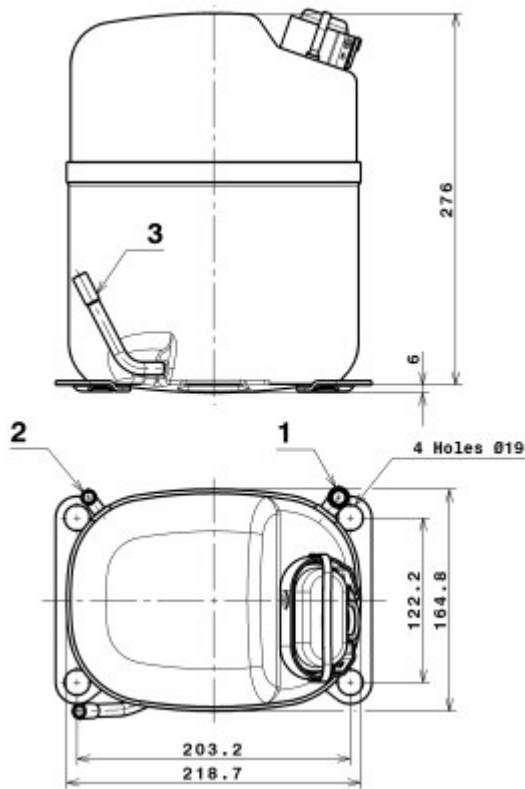
Starting capacitor	88-108 µF 330 V			
Run capacitor	16 µF 420 V			
Relay	Option 1	Option 2		
Reference	3ARR3 10AA3	RVA 4M..		
Pick-Up	239-270 A	242-270 A		
Drop-Out	50-110 A	50-110 A		
Protector	Option 1	Option 2		
Reference	MRT20ALK	T0103		
Current	15,80 A	15,80 A		
Time check	7,5-14 seg	7,5-14 seg		
Disc temp. (Open/Close)	105,00 / 61,00 °C	120,00 / 62,00 °C		

ASHRAE

Tc	Te	Cooling Capacity kcal/h	Consumption W	Current A	COP W/W	EER kcal/Wh
40	-40	405	460	2,73	1,02	0,88
40	-35	643	582	3,20	1,29	1,11
40	-30	921	703	3,69	1,52	1,31
40	-25	1.237	822	4,20	1,75	1,50
40	-23,3	1.354	862	4,38	1,83	1,57
40	-20	1.592	940	4,73	1,97	1,69
40	-15	1.987	1,057	5,26	2,19	1,88
40	-10	2.420	1,173	5,82	2,40	2,06
45	-40	340	440	2,65	0,90	0,77
45	-35	568	571	3,16	1,16	0,99
45	-30	834	700	3,68	1,39	1,19
45	-25	1.140	828	4,23	1,60	1,38
45	-23,3	1.252	872	4,42	1,67	1,44
45	-20	1.484	955	4,79	1,81	1,55
45	-15	1.868	1,081	5,38	2,01	1,73
45	-10	2.290	1,205	5,98	2,21	1,90
50	-40	275	420	2,57	0,76	0,65
50	-35	492	559	3,11	1,02	0,88
50	-30	747	698	3,67	1,25	1,07
50	-25	1.042	835	4,26	1,45	1,25
50	-23,3	1.151	881	4,46	1,52	1,31
50	-20	1.376	970	4,86	1,65	1,42
50	-15	1.748	1,104	5,49	1,84	1,58
50	-10	2.160	1,238	6,14	2,03	1,75
55	-40	210	400	2,50	0,61	0,53
55	-35	416	548	3,07	0,88	0,76
55	-30	661	695	3,66	1,11	0,95
55	-25	945	841	4,28	1,31	1,12
55	-23,3	1.050	890	4,50	1,37	1,18
55	-20	1.267	985	4,93	1,50	1,29
55	-15	1.629	1,128	5,60	1,68	1,44
55	-10	2.030	1,270	6,30	1,86	1,60
60	-40	145	380	2,43	0,44	0,38
60	-35	340	537	3,02	0,74	0,63
60	-30	574	693	3,65	0,96	0,83
60	-25	847	847	4,31	1,16	1,00
60	-23,3	949	899	4,54	1,23	1,06
60	-20	1.159	1,000	5,00	1,35	1,16
60	-15	1.510	1,152	5,72	1,52	1,31
60	-10	1.900	1,303	6,46	1,70	1,46

Technical Data Sheet

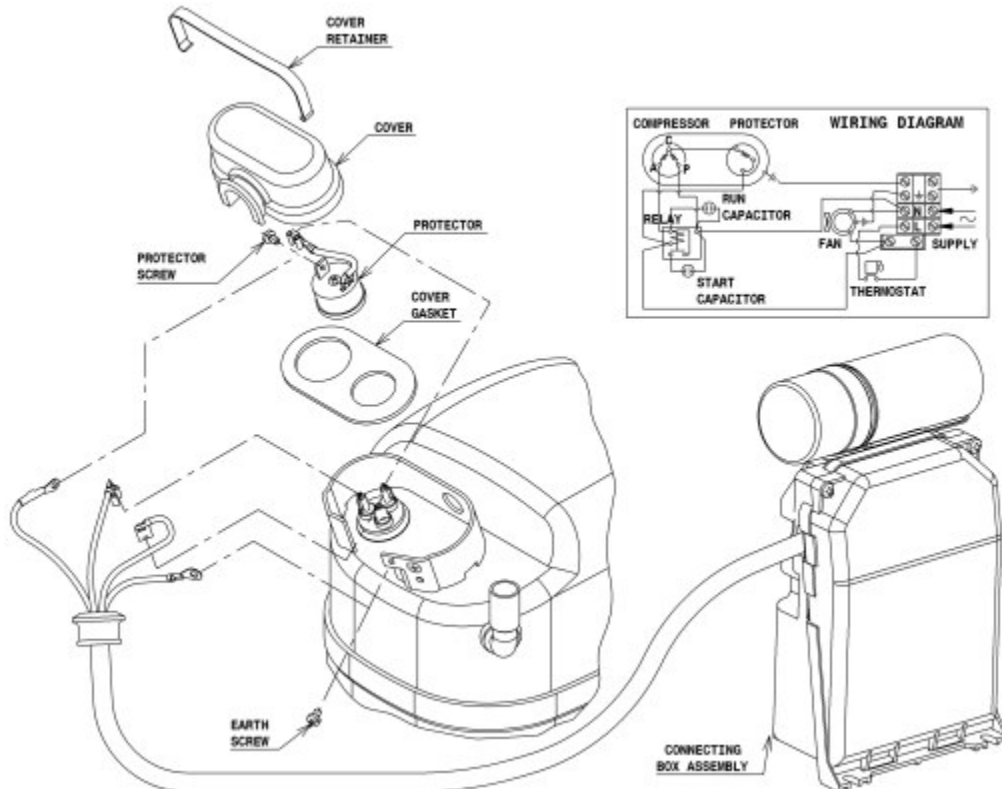
COMPRESSOR DIMENSIONS



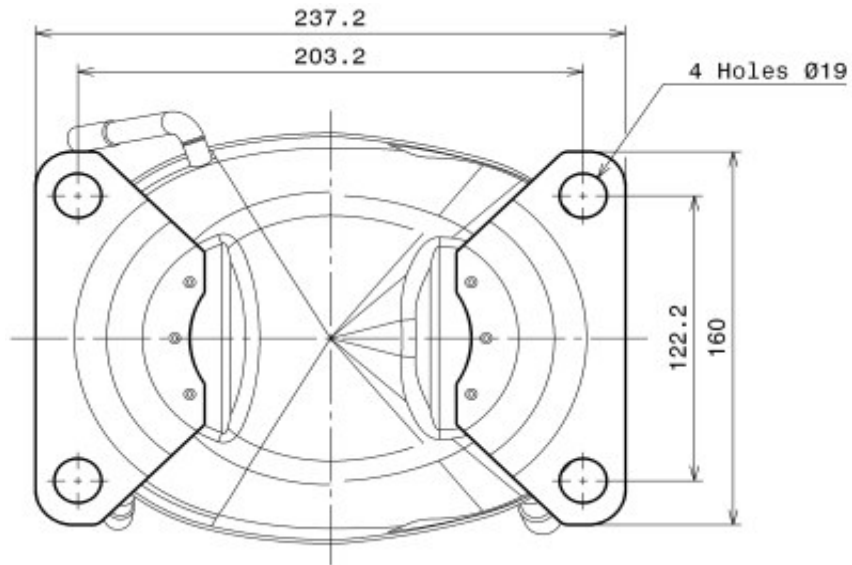
	DESIGNATION	INTERNAL DIAM.
1	Suction	12,7 mm
2	Service	9,6 mm
3	Discharge	8,0 mm

WIRING DIAGRAMS AND ELECTRICAL ASSEMBLY

CSR CONNECTION (EXTERNAL CONNECTING BOX) (S range)



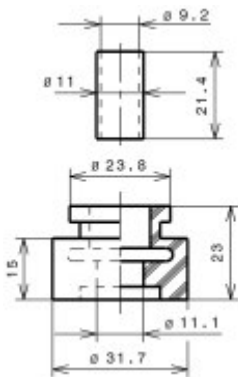
FIXINGS



SILENT BLOCKS (MOUNTING ACCESSORIES)

STANDARD

D.19 holds net (203.2x122.2)



SOA

SOA R404A LBP

