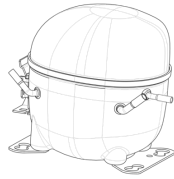


220-240V 50Hz 1~



### GENERAL DATA

**Application:** MBP  
**Refrigerant:** R290  
**Compressor Cooling:** Fan  
**Fan air flow:** 520 m3/h  
**Maximum Condensing Pressure - Operating:** 18.07 bar  
**Maximum Condensing Pressure - Peak:** 20.16 bar  
**Type:** Hermetic reciprocating  
**Technology Type:** On-Off  
**Expansion Device:** Capillary Tube or Expansion Valve  
**Packing Quantity:** Multi - 28 pcs  
**Displacement:** 16.8 cm3  
**Horse power:** 3/4 hp

Approvals:

### MECHANICAL DATA

**Bore:** 31.19 mm  
**Stroke:** 22 mm  
**Oil Charge:** 350ml +/-15ml  
**Free Internal Volume:** 2.1 cm3  
**Maximum Recommended Refrigerant Charge:** 350 ml  
**Oil Type Configuration:** Polyolester  
**Oil Type Viscosity:** ISO22  
**Compressor pressurization:** Without dry air charge  
**Weight:** 11.8 kg

### ELECTRICAL DATA

**Motor Type:** CSR  
**Starting Torque:** HST  
**Voltage working range at 50 Hz:** 198-254 V  
**Maximum Motor Temperature:** 130 °C  
**Start Winding Resistance:** 11.03 Ω (± 10%) at 25°C  
**Run Winding Resistance:** 5.15 Ω (± 10%) at 25°C  
**Locked Rotor Amperage (RLA):** 22 A

### MOUNTING ACCESSORIES

	Description	Code
<b>Terminal Board:</b>	no	-
<b>Anchorage:</b>	no	-
<b>Capacitor Bracket:</b>	no	-
<b>Washer:</b>	no	-
<b>Pin:</b>	no	-
<b>Clip:</b>	no	-
<b>Rotolock valve:</b>	no	-
<b>Grommets:</b>	yes	2221011
<b>Sleeves:</b>	yes	2222018
<b>Overload Protector Bracket:</b>	yes	2075299
<b>Cover:</b>	yes	2075278

### ELECTRICAL COMPONENTS

	Component type	Description	Code
<b>Run Capacitor:</b>		17.5 MFD	2253311
<b>Starting Device:</b>	Potential relay	RVA3AN3C-647	1253026
<b>Start Capacitor:</b>		88-108 MFD 330V	2252269
<b>Motor Protection:</b>	External 3/4"	T0964/G9	2321138
<b>CSR / CSIR Box:</b>	yes		1272415

### EXTERNAL CHARACTERISTICS

**Base Plate:** European  
**Tray Holder:** No  
**Height:** 206 mm

	Internal Diameter (mm)	Material	Shape
<b>Suction Connector</b>	8.1	Copper	Slanted 42°
<b>Discharge Connector</b>	6.1	Copper	Straight
<b>Process Connector</b>	6.1	Copper	Slanted 42°

**RATED POINT DATA**

Cooling Capacity (W)	Power Consumption (W)	Current Consumption (A)	Gas Flow Rate (kg/h)	Efficiency (w/W)
±5%	±5%	±5%	±5%	±7%
675	877	4.03	26.80	0.77

Test condition: ASHRAE, Fan, Return Gas 35°C, Subcooling 8.3K, Evaporating: 7.2°C, Condensing: 54°C, Ambient: 35°C

**PERFORMANCE CURVE DATA****220V 50Hz**

Condensing Temperature (°C)	Evaporating Temperature (°C)	Cooling Capacity (W)	Power Consumption (W)	Current Consumption (A)	Gas Flow Rate (kg/h)	Efficiency (w/W)
		±5%	±5%	±5%	±5%	±7%
<b>35°C</b>	10	3 149	726	3.34	31.31	4.33
	5	2 691	689	3.17	26.56	3.91
	0	2 281	651	3.00	22.36	3.51
	-5	1 915	612	2.82	18.68	3.13
	-10	1 592	574	2.64	15.46	2.78
	-15	1 309	535	2.47	12.66	2.45
	-20	1 063	495	2.29	10.24	2.15

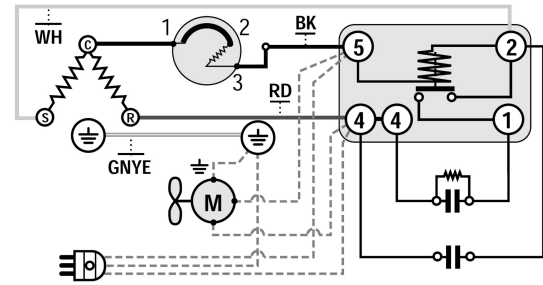
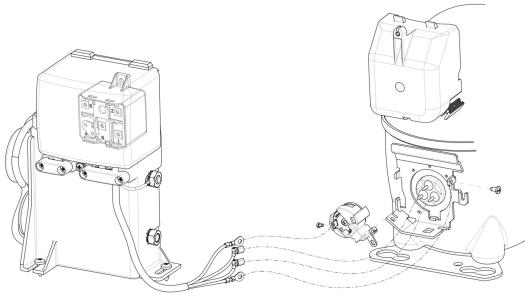
Condensing Temperature (°C)	Evaporating Temperature (°C)	Cooling Capacity (W)	Power Consumption (W)	Current Consumption (A)	Gas Flow Rate (kg/h)	Efficiency (w/W)
		±5%	±5%	±5%	±5%	±7%
<b>45°C</b>	10	2 817	817	3.74	30.35	3.45
	5	2 405	771	3.54	25.72	3.12
	0	2 037	725	3.33	21.63	2.81
	-5	1 709	678	3.12	18.03	2.52
	-10	1 419	631	2.90	14.90	2.25
	-15	1 164	583	2.68	12.17	2.00
	-20	942	534	2.47	9.81	1.76

Condensing Temperature (°C)	Evaporating Temperature (°C)	Cooling Capacity (W)	Power Consumption (W)	Current Consumption (A)	Gas Flow Rate (kg/h)	Efficiency (w/W)
		±5%	±5%	±5%	±5%	±7%
<b>55°C</b>	10	2 481	919	4.22	29.29	2.70
	5	2 116	862	3.97	24.78	2.45
	0	1 790	805	3.71	20.80	2.22
	-5	1 500	746	3.44	17.30	2.01
	-10	1 243	687	3.17	14.25	1.81

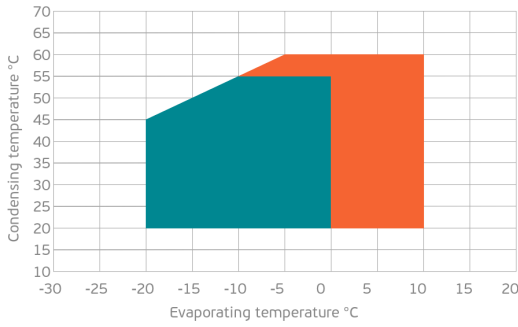
Test condition: ASHRAE, Fan, Return Gas 35°C, Subcooling 8.3K, Evaporating: 7.2°C, Condensing: 54°C, Ambient: 35°C

**ASSEMBLY INSTRUCTION**

**WIRING DIAGRAM**

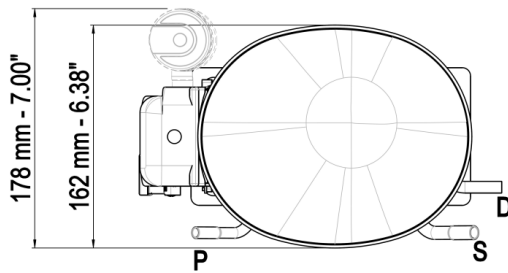
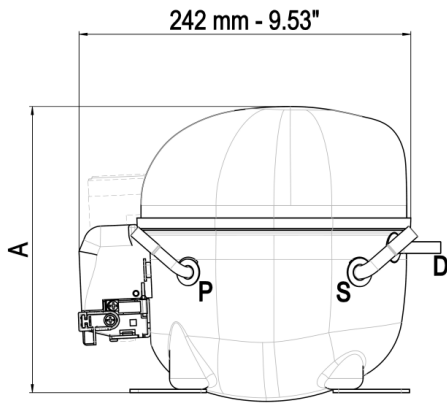


**OPERATING ENVELOPE**



- Operating Condition
- Transient Condition
- Superheating

**NOTE:** usage of compressors outside of intended working range cannot make use of the warranty, or should be consulted with Technical support.



DWG02	∅ mm	∅ in	material
S - Suction	6.10 - 6.20	0.24	Cu
P - Process	6.10 - 6.20	0.24	Cu
S - Discharge	4.86 - 5.02	3/16	Cu

DWG03	∅ mm	∅ in	material
S - Suction	8.10 - 8.20	0.32	Cu
P - Process	6.10 - 6.20	0.24	Cu
S - Discharge	6.10 - 6.20	0.24	Cu

