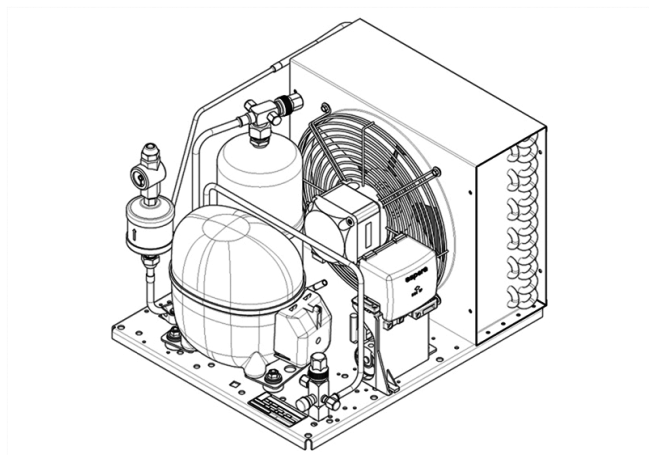


UNEK6217GK



**ENGINEERING CODE**  
559GA5304AA



**REFRIGERANT**  
R-404A



**POWER SUPPLY**  
220-240 V 50 Hz



**APPLICATION**  
HBP



**MOTOR TYPE**  
CSR



**STANDARD**  
EN13215\_RG20



**COOLING CAPACITY**  
1203 W



**EFFICIENCY**  
1.64 W/W

CE

ECODESIGN COMPLIANT

DATA

GENERAL DATA

**Model** UNEK6217GK

CONDENSING COMPONENTS

<b>Compressor</b>	NEK6217GK	M/HBP
<b>Condenser</b>	3R12T	2451218
<b>Refrigerant</b>	R-404A	
<b>Expansion Device</b>	C-V	
<b>Fan Blade Diameter</b>	275	
<b>Fankit</b>	34W 275/31/5B	1996583

MECHANICAL DATA

<b>Air Flow</b>	640 m <sup>3</sup> /h
<b>Height</b>	324 mm
<b>Shaft Power</b>	34
<b>Weight</b>	23 Kg
<b>Width</b>	395 mm
<b>Length</b>	471 mm

## PERFORMANCE

### TESTED CONDITIONS

Tested Refrigerant	R-404A
Tested Application	HBP
Tested Standard	EN13215_RG20

### RATED POINTS

Ambient Temperature °C	Evaporating Temperature °C	Cooling Capacity W	Efficiency W/W	Consumo de Potencia W
32	-10	1203	1.64	734

Test Condition: Subcooling 3 K, Return Gas 20 °C.

### PERFORMANCE CURVE

Ambient Temperature 25°C

Evaporating Temperature °C	Cooling Capacity W	Efficiency W/W	Consumo de Potencia W
-20	909	1.51	603
-15	1111	1.70	654
-5	1554	2.00	776
0	1794	2.12	846
5	2046	2.22	924
10	2309	2.29	1008

Test Condition: Subcooling 3 K, Return Gas 20 °C.

### PERFORMANCE CURVE

Ambient Temperature 32°C

Evaporating Temperature °C	Cooling Capacity W	Efficiency W/W	Consumo de Potencia W
-20	829	1.33	622
-15	1010	1.50	674
-5	1410	1.76	800
0	1629	1.87	873
5	1860	1.95	952
10	2102	2.02	1039

Test Condition: Subcooling 3 K, Return Gas 20 °C.

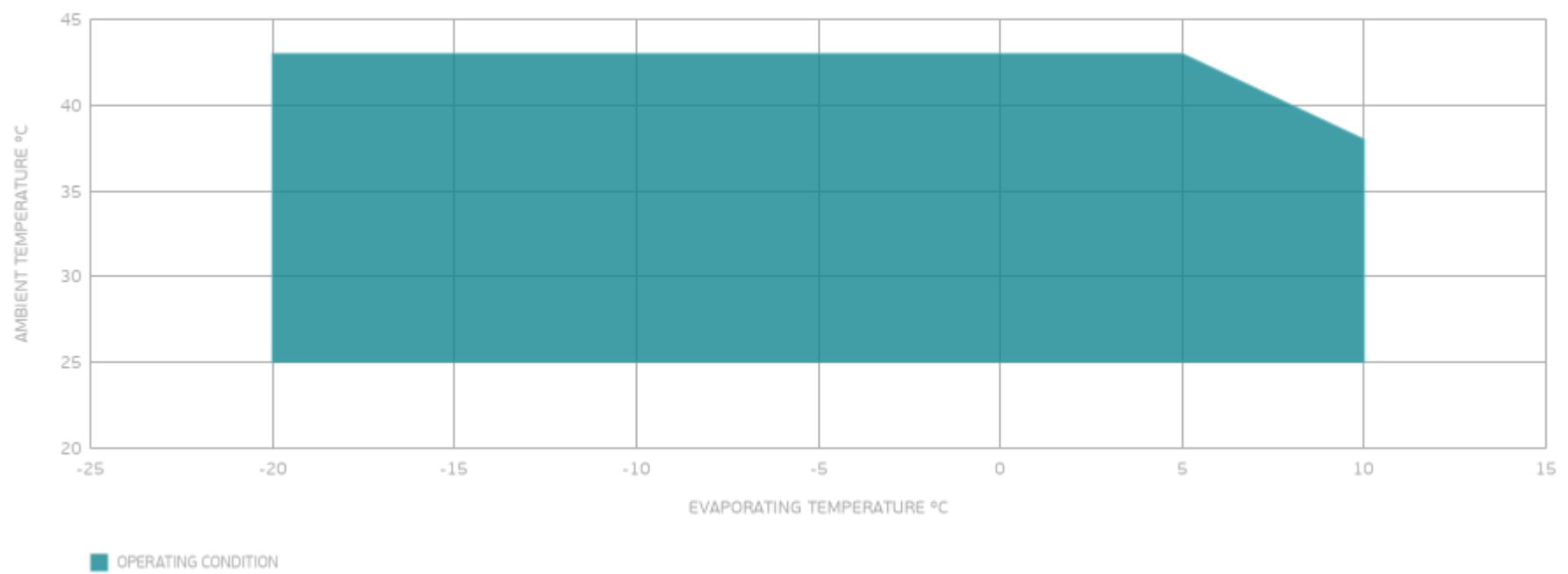
## PERFORMANCE CURVE

Ambient Temperature 43°C

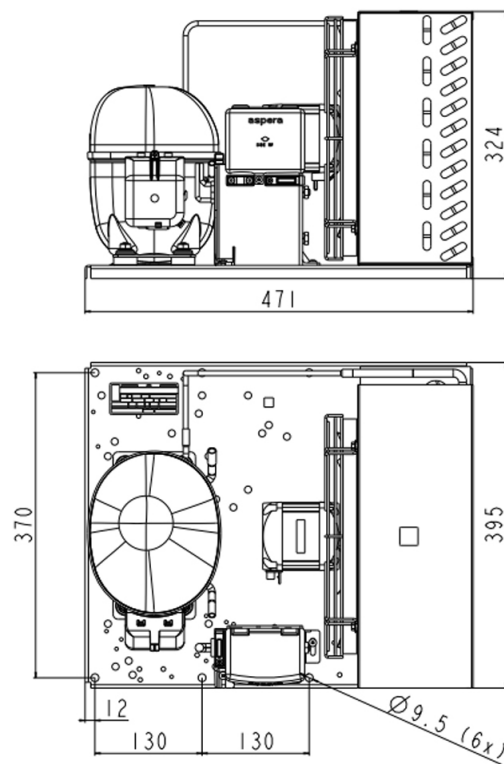
Evaporating Temperature °C	Cooling Capacity W	Efficiency W/W	Consumo de Potencia W
-20	694	1.06	655
-15	830	1.16	718
-5	1143	1.32	863
0	1318	1.39	946
5	1506	1.45	1035

Test Condition: Subcooling 3 K, Return Gas 20 °C.

## ENVELOPE



## EXTERNAL DIMENSIONS



WIRING DIAGRAM

