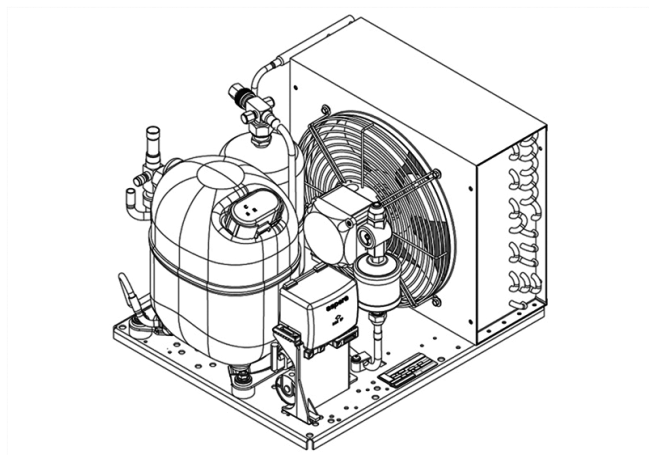


UNJ2212GK



ENGINEERING CODE
643TA5304AA



POWER SUPPLY
220-240 V 50 Hz



MOTOR TYPE
CSR



REFRIGERANT
R-404A



APPLICATION
LBP



STANDARD
EN13215_RG20



COOLING CAPACITY
883 W



EFFICIENCY
1.02 W/W

CE

ECODESIGN COMPLIANT

DATA

GENERAL DATA

Model UNJ2212GK

CONDENSING COMPONENTS

Compressor	NJ2212GK	LBP
Condenser	3R12T	2451140
Refrigerant	R-404A	
Expansion Device	C-V	
Fan Blade Diameter	275	
Fankit	34W 275/31/5B	1996583

MECHANICAL DATA

Air Flow	800 m ³ /h
Height	324 mm
Shaft Power	34
Weight	35 Kg
Width	395 mm
Length	481 mm

PERFORMANCE

TESTED CONDITIONS

Tested Refrigerant	R-404A
Tested Application	LBP
Tested Standard	EN13215_RG20

RATED POINTS

Ambient Temperature °C	Evaporating Temperature °C	Cooling Capacity W	Efficiency W/W	Consumo de Potencia W
32	-35	883	1.02	867

Test Condition: Subcooling 3 K, Return Gas 20 °C.

PERFORMANCE CURVE

Ambient Temperature 25°C

Evaporating Temperature °C	Cooling Capacity W	Efficiency W/W	Consumo de Potencia W
-40	808	1.04	777
-30	1329	1.32	1010
-25	1617	1.39	1161
-20	1926	1.44	1335
-15	2260	1.48	1532
-10	2621	1.50	1752

Test Condition: Subcooling 3 K, Return Gas 20 °C.

PERFORMANCE CURVE

Ambient Temperature 32°C

Evaporating Temperature °C	Cooling Capacity W	Efficiency W/W	Consumo de Potencia W
-40	629	0.84	748
-30	1154	1.14	1008
-25	1446	1.24	1171
-20	1762	1.30	1355
-15	2104	1.35	1562
-10	2475	1.38	1791

Test Condition: Subcooling 3 K, Return Gas 20 °C.

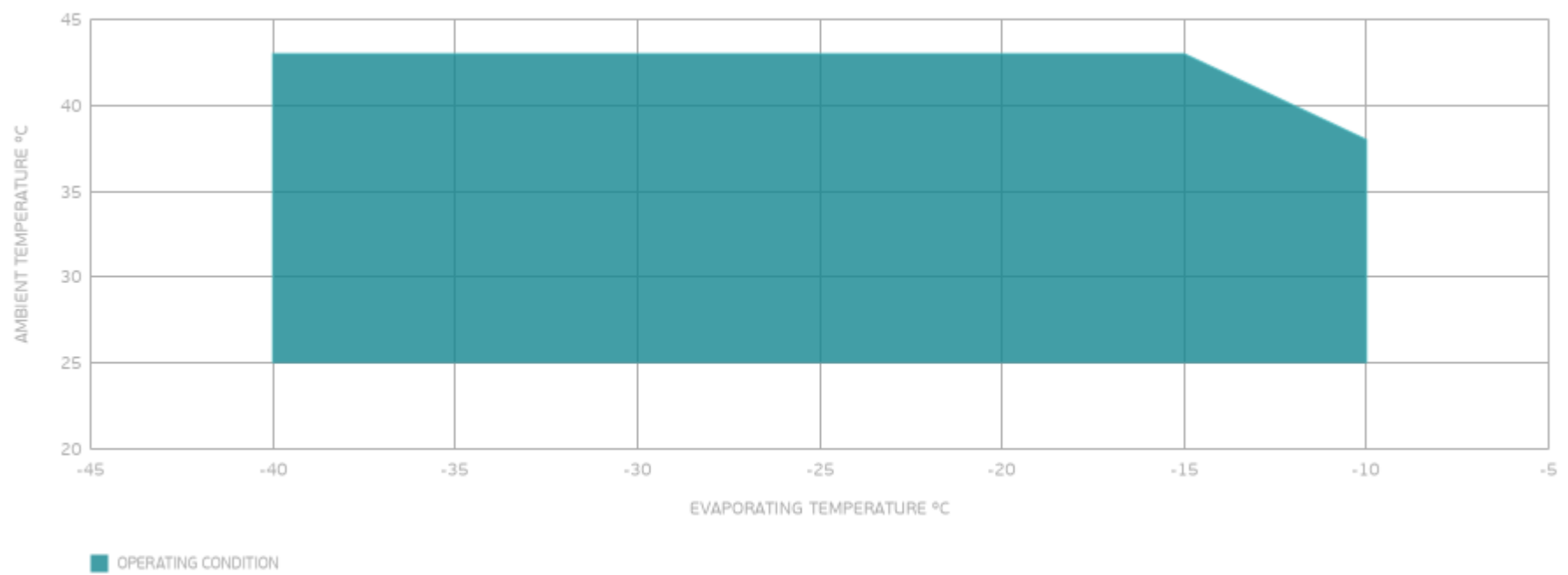
PERFORMANCE CURVE

Ambient Temperature 43°C

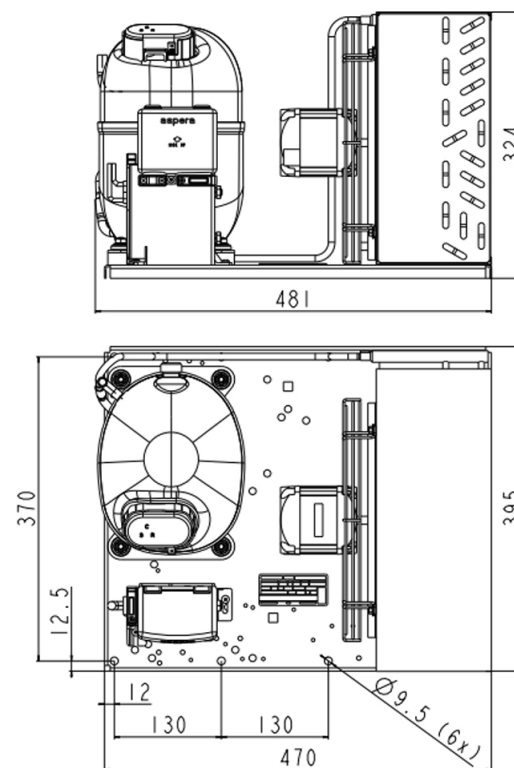
Evaporating Temperature °C	Cooling Capacity W	Efficiency W/W	Consumo de Potencia W
-40	509	0.69	737
-30	920	0.88	1041
-25	1159	0.95	1222
-20	1426	1.00	1423
-15	1721	1.05	1644

Test Condition: Subcooling 3 K, Return Gas 20 °C.

ENVELOPE



EXTERNAL DIMENSIONS



WIRING DIAGRAM

