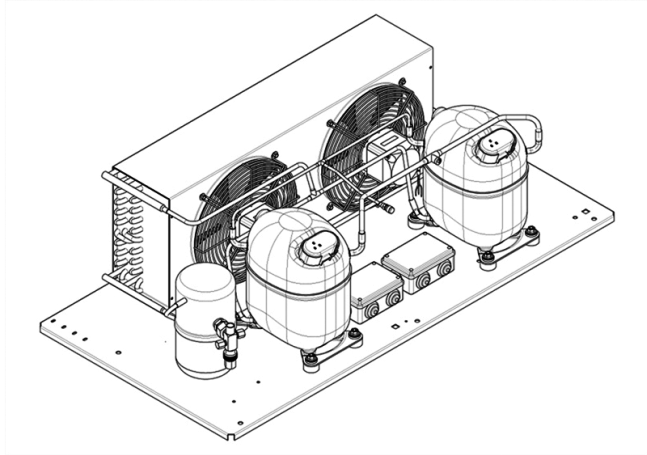


UGNJ2212GS



ENGINEERING CODE
647AMG603AA



POWER SUPPLY
380-420 V 50 Hz



MOTOR TYPE
3PH



REFRIGERANT
R-404A



APPLICATION
LBP



STANDARD
EN13215_RG20



COOLING CAPACITY
1613 W



EFFICIENCY
0.97 W/W

CE

✓ ECODSIGN COMPLIANT

DATA

GENERAL DATA

Model UGNJ2212GS

ACCESSORIES

Discharge valve SOLDER 3/8" 2110049

CONDENSING COMPONENTS

Compressor	NJ2212GS	LBP
Condenser	4R11T DOUBLE FAN 254	2451210
Refrigerant	R-404A	
Expansion Device	C-V	
Fan Blade Diameter	254	
Fankit	34W 254/28/5B	1996695

MECHANICAL DATA

Air Flow	1700 m ³ /h
Height	311 mm
Receiver	2.3 L
Shaft Power	34
Weight	80 Kg
Width	1093 mm
Length	551 mm

PERFORMANCE

TESTED CONDITIONS

Tested Refrigerant	R-404A
Tested Application	LBP
Tested Standard	EN13215_RG20

RATED POINTS

Ambient Temperature °C	Evaporating Temperature °C	Cooling Capacity W	Efficiency W/W	Consumo de Potencia W
32	-35	1613	0.97	1658

Test Condition: Subcooling 3 K, Return Gas 20 °C.

PERFORMANCE CURVE

Ambient Temperature 25°C

Evaporating Temperature °C	Cooling Capacity W	Efficiency W/W	Consumo de Potencia W
-40	1341	0.98	1373
-30	2385	1.25	1906
-25	2948	1.32	2226
-20	3549	1.38	2581
-15	4196	1.41	2970
-10	4897	1.44	3394

Test Condition: Subcooling 3 K, Return Gas 20 °C.

PERFORMANCE CURVE

Ambient Temperature 32°C

Evaporating Temperature °C	Cooling Capacity W	Efficiency W/W	Consumo de Potencia W
-40	1102	0.79	1388
-30	2146	1.10	1958
-25	2708	1.18	2288
-20	3309	1.25	2646
-15	3955	1.30	3033
-10	4656	1.35	3448

Test Condition: Subcooling 3 K, Return Gas 20 °C.

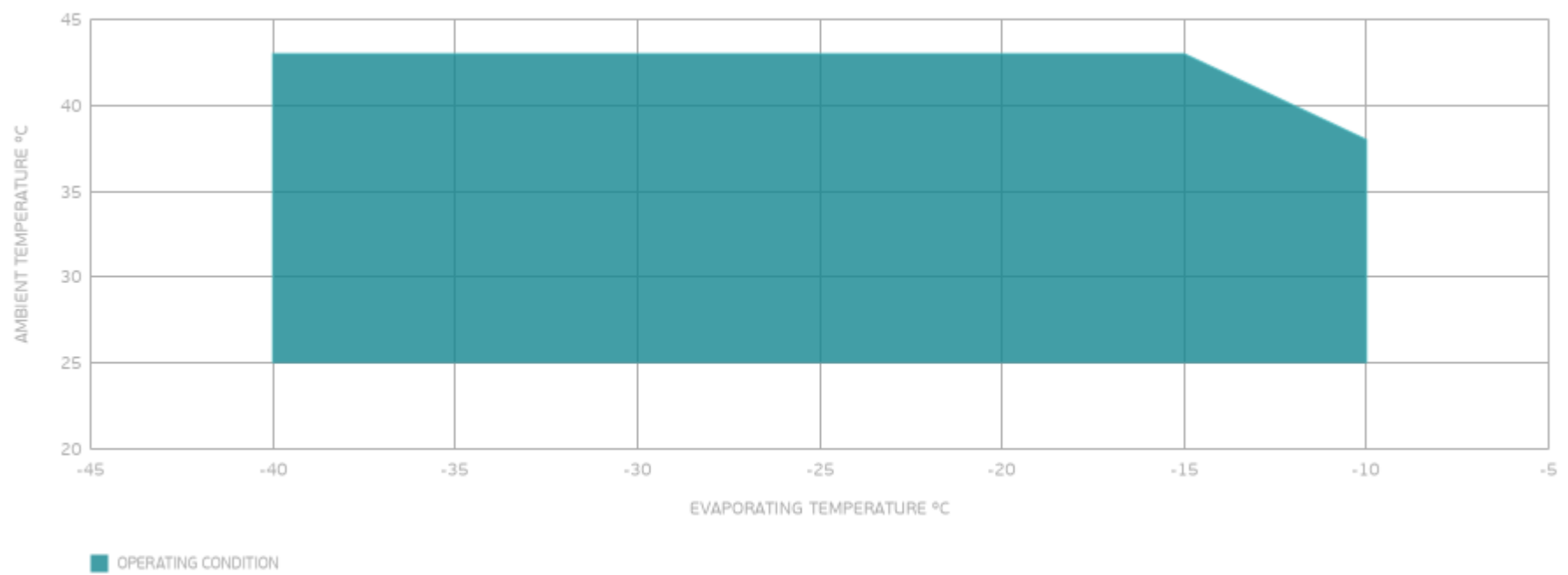
PERFORMANCE CURVE

Ambient Temperature 43°C

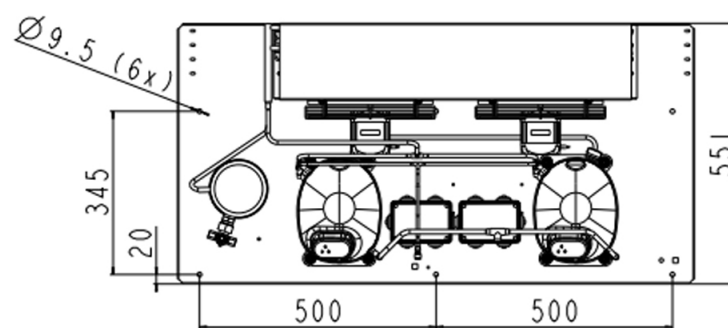
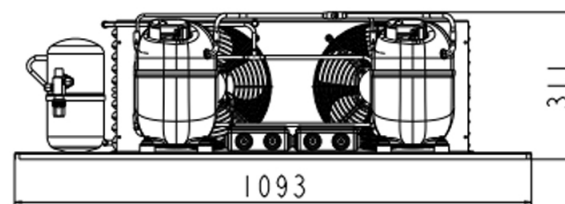
Evaporating Temperature °C	Cooling Capacity W	Efficiency W/W	Consumo de Potencia W
-40	894	0.68	1318
-30	1753	0.89	1962
-25	2223	0.96	2314
-20	2731	1.02	2686
-15	3285	1.07	3077

Test Condition: Subcooling 3 K, Return Gas 20 °C.

ENVELOPE



EXTERNAL DIMENSIONS



WIRING DIAGRAM

