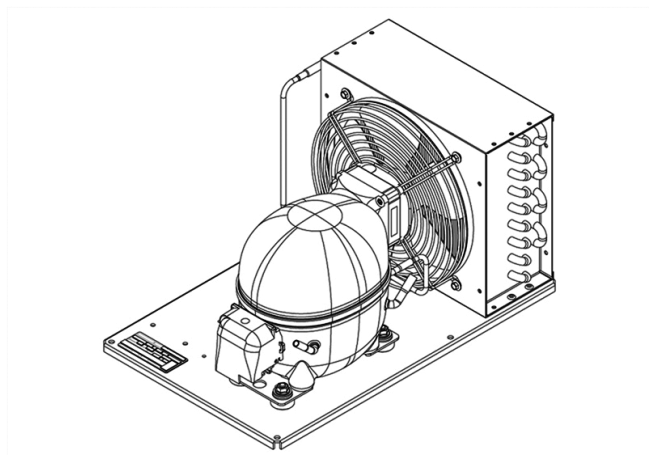


UNEK2125GK



ENGINEERING CODE
657EA5312AA



POWER SUPPLY
220-240 V 50 Hz



MOTOR TYPE
CSIR



REFRIGERANT
R-404A



APPLICATION
LBP



STANDARD
EN13215_RG20



COOLING CAPACITY
184 W



EFFICIENCY
0.8 W/W

CE

ECODESIGN COMPLIANT

DATA

GENERAL DATA

Model UNEK2125GK

CONDENSING COMPONENTS

Compressor	NEK2125GK	LBP
Condenser	3R9T	2451205
Refrigerant	R-404A	
Expansion Device	C-V	
Fan Blade Diameter	230	
Fankit	10W 230/31/5B	1996699

MECHANICAL DATA

Air Flow	420 m ³ /h
Height	254 mm
Shaft Power	10
Weight	17 Kg
Width	290 mm
Length	435 mm

PERFORMANCE

TESTED CONDITIONS

Tested Refrigerant	R-404A
Tested Application	LBP
Tested Standard	EN13215_RG20

RATED POINTS

Ambient Temperature °C	Evaporating Temperature °C	Cooling Capacity W	Efficiency W/W	Consumo de Potencia W
32	-35	184	0.8	230

Test Condition: Subcooling 3 K, Return Gas 20 °C.

PERFORMANCE CURVE

Ambient Temperature 25°C

Evaporating Temperature °C	Cooling Capacity W	Efficiency W/W	Consumo de Potencia W
-40	157	0.77	203
-30	260	1.07	244
-25	325	1.22	266
-20	400	1.38	290
-15	485	1.54	315
-10	580	1.70	341

Test Condition: Subcooling 3 K, Return Gas 20 °C.

PERFORMANCE CURVE

Ambient Temperature 32°C

Evaporating Temperature °C	Cooling Capacity W	Efficiency W/W	Consumo de Potencia W
-40	139	0.66	211
-30	237	0.94	251
-25	297	1.08	274
-20	365	1.22	298
-15	441	1.36	324
-10	526	1.50	352

Test Condition: Subcooling 3 K, Return Gas 20 °C.

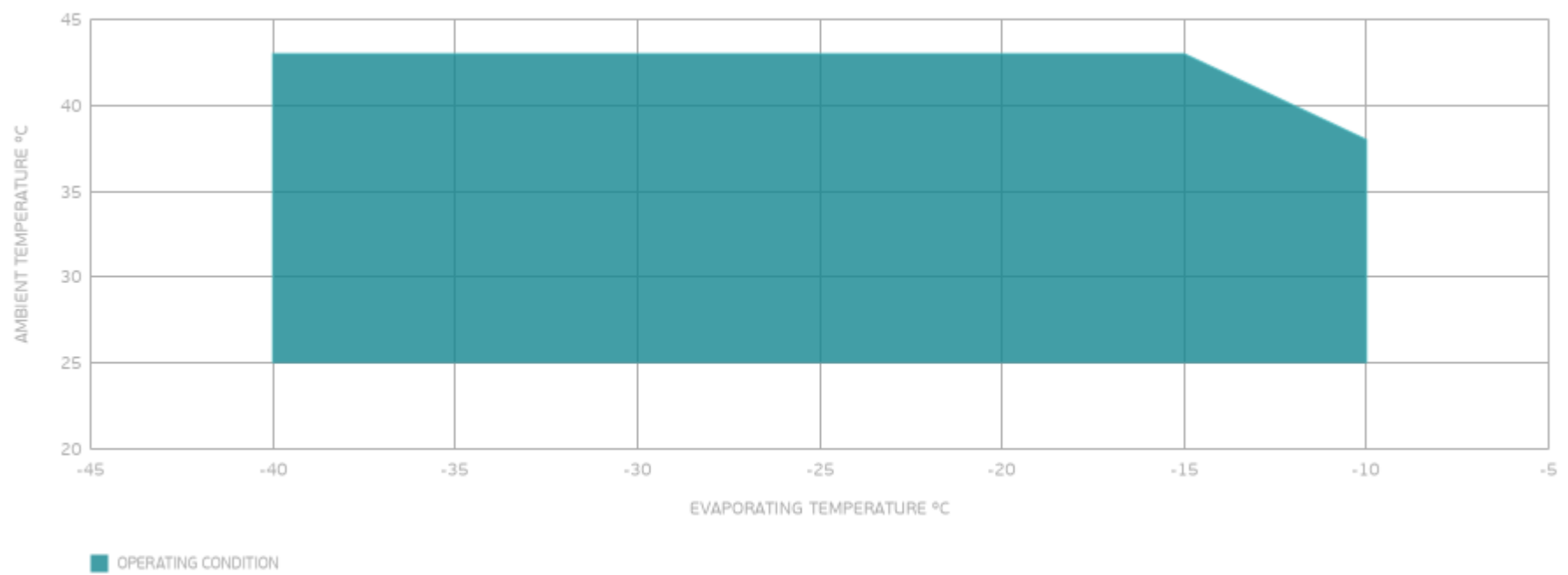
PERFORMANCE CURVE

Ambient Temperature 43°C

Evaporating Temperature °C	Cooling Capacity W	Efficiency W/W	Consumo de Potencia W
-40	102	0.48	211
-30	193	0.75	257
-25	247	0.87	284
-20	305	0.98	313
-15	370	1.07	345

Test Condition: Subcooling 3 K, Return Gas 20 °C.

ENVELOPE



EXTERNAL DIMENSIONS

