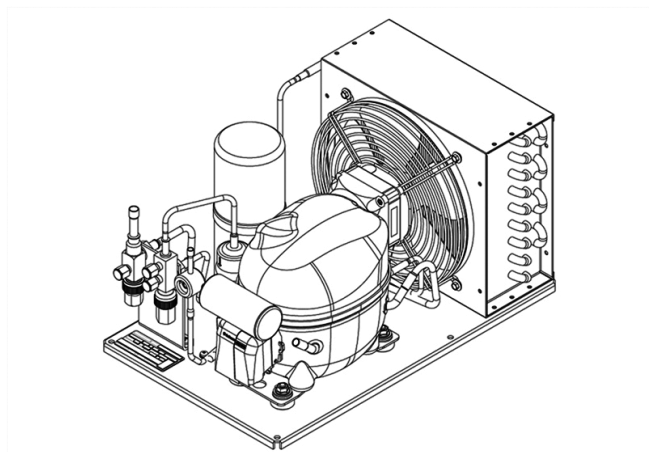


UNEK6144GK



ENGINEERING CODE
557GA5212AA



POWER SUPPLY
220-240 V 50 Hz



MOTOR TYPE
CSIR



REFRIGERANT
R-404A



APPLICATION
HBP



STANDARD
EN13215_RG20



COOLING CAPACITY
432 W



EFFICIENCY
1.65 W/W

CE

✓ ECODSIGN
COMPLIANT

DATA

GENERAL DATA

Model UNEK6144GK

ACCESSORIES

Discharge valve FLARE 1/4" 2110025

Suction valve FLARE 3/8" 2110024

CONDENSING COMPONENTS

Compressor NEK6144GK M/HBP

Condenser 3R9T 2451205

Refrigerant R-404A

Expansion Device C-V

Fan Blade Diameter 230

Fankit 10W 230/31/5B 1996699

MECHANICAL DATA

Air Flow	300 m ³ /h
Height	254 mm
Receiver	0.6 L
Shaft Power	10
Weight	17 Kg
Width	300 mm
Length	435 mm

PERFORMANCE

TESTED CONDITIONS

Tested Refrigerant	R-404A
Tested Application	HBP
Tested Standard	EN13215_RG20

RATED POINTS

Ambient Temperature °C	Evaporating Temperature °C	Cooling Capacity W	Efficiency W/W	Consumo de Potencia W
32	-10	432	1.65	261

Test Condition: Subcooling 3 K, Return Gas 20 °C.

PERFORMANCE CURVE

Ambient Temperature 25°C

Evaporating Temperature °C	Cooling Capacity W	Efficiency W/W	Consumo de Potencia W
-20	341	1.58	216
-15	401	1.71	235
-5	567	2.08	273
0	666	2.28	292
5	770	2.46	313
10	877	2.62	335

Test Condition: Subcooling 3 K, Return Gas 20 °C.

PERFORMANCE CURVE

Ambient Temperature 32°C

Evaporating Temperature °C	Cooling Capacity W	Efficiency W/W	Consumo de Potencia W
-20	312	1.40	223
-15	364	1.50	242
-5	513	1.83	281
0	604	2.01	301
5	700	2.17	323
10	799	2.31	346

Test Condition: Subcooling 3 K, Return Gas 20 °C.

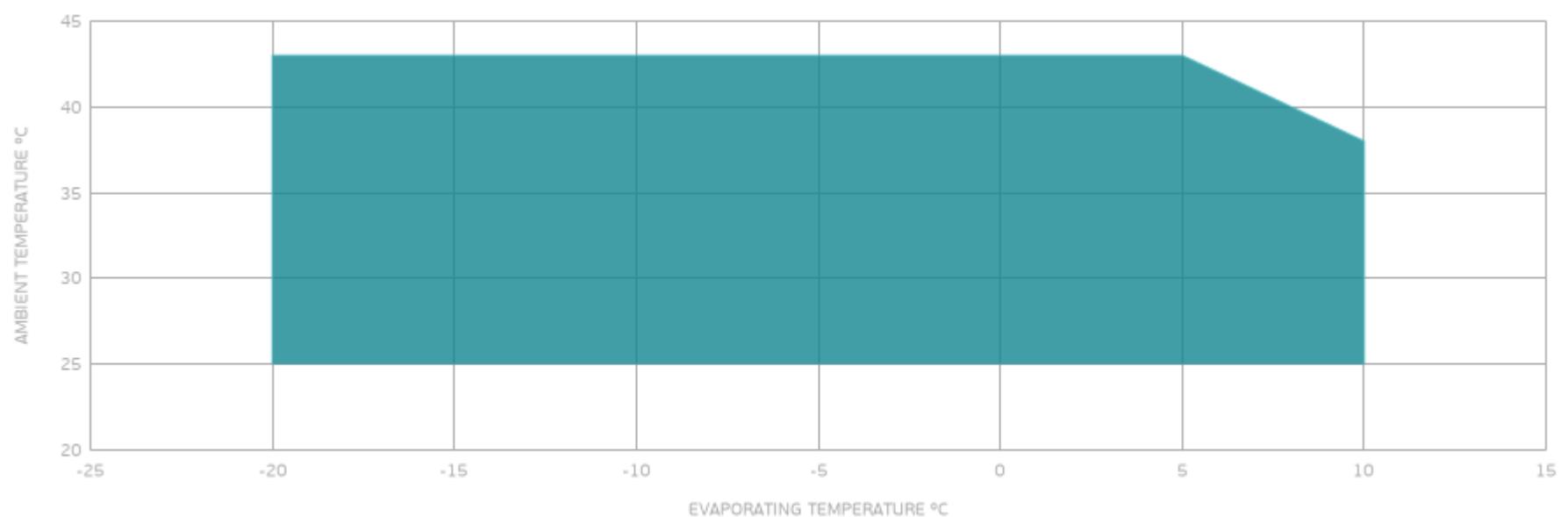
PERFORMANCE CURVE

Ambient Temperature 43°C

Evaporating Temperature °C	Cooling Capacity W	Efficiency W/W	Consumo de Potencia W
-20	247	1.04	236
-15	291	1.13	257
-5	426	1.43	298
0	509	1.59	320
5	598	1.74	343

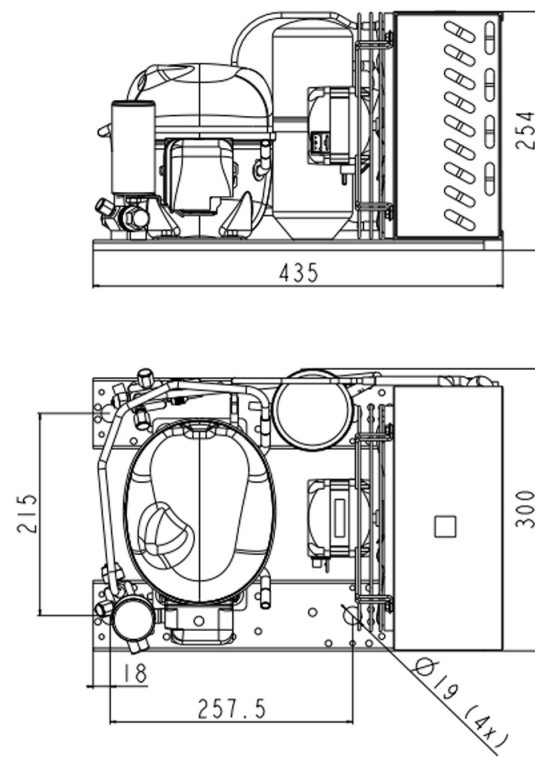
Test Condition: Subcooling 3 K, Return Gas 20 °C.

ENVELOPE



■ OPERATING CONDITION

EXTERNAL DIMENSIONS



WIRING DIAGRAM

