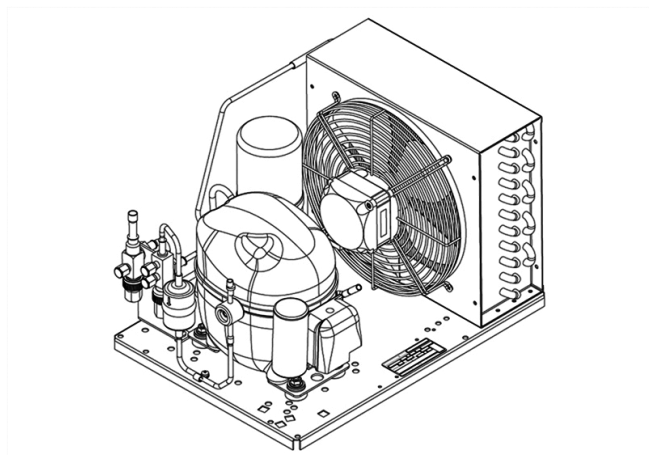


UNEK6187Z



CE


ENGINEERING CODE
557AA5312AA

POWER SUPPLY
220-240 V 50 Hz

MOTOR TYPE
CSIR

REFRIGERANT
R-134a

APPLICATION
HBP

STANDARD
EN13215_RG20

COOLING CAPACITY
517 W

EFFICIENCY
1.62 W/W

DATA

GENERAL DATA

Model	UNEK6187Z
-------	-----------

CONDENSING COMPONENTS

Compressor	NEK6187Z	M/HBP
Condenser	3R11T	2451206
Refrigerant	R-134a	
Expansion Device	C-V	
Fan Blade Diameter	254	
Fankit	16W 254/28/5B	1996610

MECHANICAL DATA

Air Flow	320 m ³ /h
Height	296 mm
Shaft Power	16
Weight	18 Kg
Width	340 mm
Length	465 mm

PERFORMANCE

TESTED CONDITIONS

Tested Refrigerant	R-134a
Tested Application	HBP
Tested Standard	EN13215_RG20

RATED POINTS

Ambient Temperature °C	Evaporating Temperature °C	Cooling Capacity W	Efficiency W/W	Consumo de Potencia W
32	-10	517	1.62	320

Test Condition: Subcooling 3 K, Return Gas 20 °C.

PERFORMANCE CURVE

Ambient Temperature 25°C

Evaporating Temperature °C	Cooling Capacity W	Efficiency W/W	Consumo de Potencia W
-15	457	1.60	286
-5	689	2.06	334
0	832	2.30	361
5	992	2.54	391
10	1171	2.77	422

Test Condition: Subcooling 3 K, Return Gas 20 °C.

PERFORMANCE CURVE

Ambient Temperature 32°C

Evaporating Temperature °C	Cooling Capacity W	Efficiency W/W	Consumo de Potencia W
-15	416	1.41	295
-5	634	1.83	347
0	767	2.04	376
5	915	2.24	408
10	1081	2.44	442

Test Condition: Subcooling 3 K, Return Gas 20 °C.

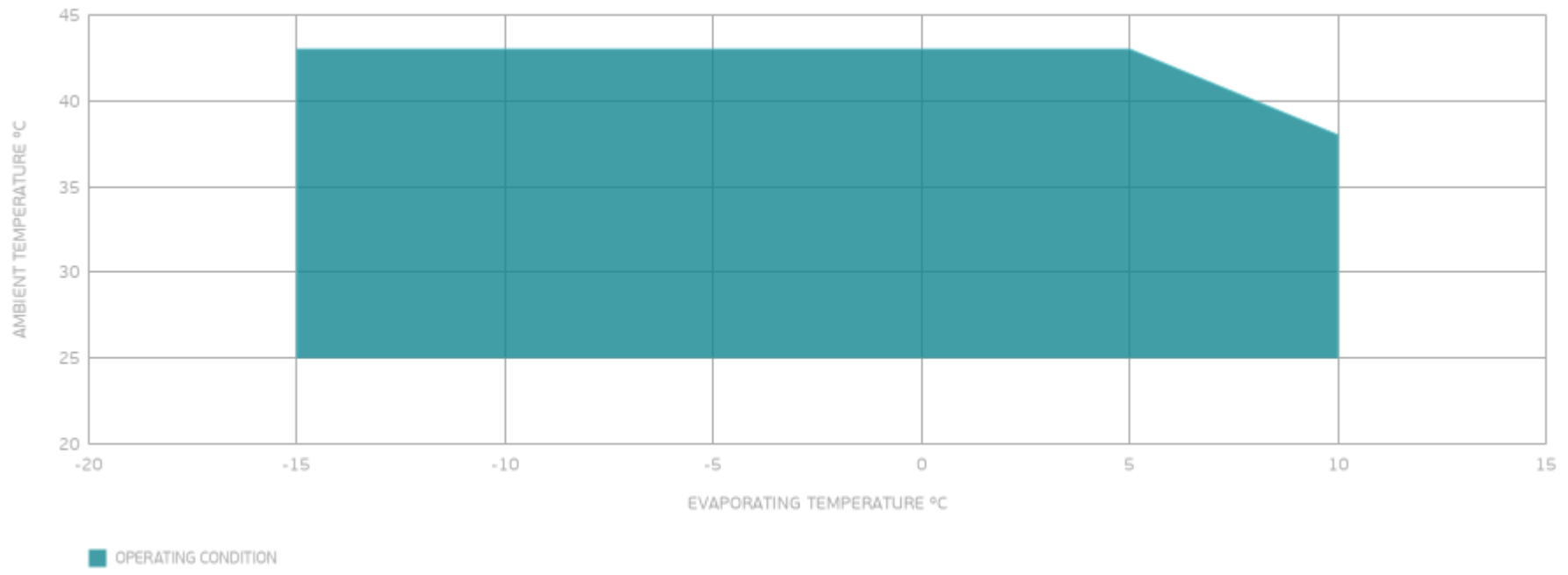
PERFORMANCE CURVE

Ambient Temperature 43°C

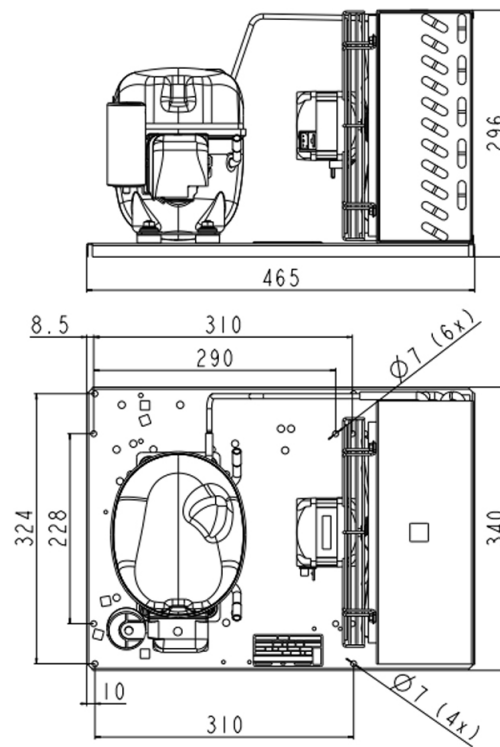
Evaporating Temperature °C	Cooling Capacity W	Efficiency W/W	Consumo de Potencia W
-15	324	1.05	307
-5	511	1.38	370
0	624	1.54	406
5	751	1.69	444

Test Condition: Subcooling 3 K, Return Gas 20 °C.

ENVELOPE



EXTERNAL DIMENSIONS



WIRING DIAGRAM

