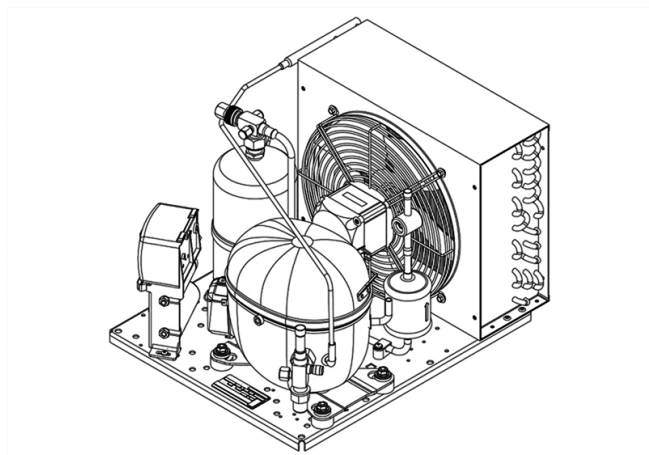


UNT6220Z



**ENGINEERING CODE**  
602CN5304AA



**REFRIGERANT**  
R-134a



**POWER SUPPLY**  
200-240 V 50 Hz  
/ 230 V 60 Hz



**APPLICATION**  
HBP



**MOTOR TYPE**  
CSR



**STANDARD**  
EN13215\_RG20

CE

ECODESIGN  
COMPLIANT



**COOLING CAPACITY**  
1140 W



**EFFICIENCY**  
1.77 W/W

DATA

GENERAL DATA

Model UNT6220Z

CONDENSING COMPONENTS

Compressor	NT6220Z	HBP
Condenser	3R12T	2451140
Refrigerant	R-134a	
Expansion Device	C-V	
Fan Blade Diameter	275	
Fankit	34W 275/31/5B	1996583

MECHANICAL DATA

Air Flow	640 m <sup>3</sup> /h
Height	324 mm
Shaft Power	34
Weight	33 Kg
Width	395 mm
Length	494 mm

## PERFORMANCE

### TESTED CONDITIONS

Tested Refrigerant	R-134a
Tested Application	HBP
Tested Standard	EN13215_RG20

### RATED POINTS

Ambient Temperature °C	Evaporating Temperature °C	Cooling Capacity W	Efficiency W/W	Consumo de Potencia W
32	-10	1140	1.77	643

Test Condition: Subcooling 3 K, Return Gas 20 °C.

### PERFORMANCE CURVE

Ambient Temperature 25°C

Evaporating Temperature °C	Cooling Capacity W	Efficiency W/W	Consumo de Potencia W
-15	1000	1.77	566
-5	1553	2.29	677
0	1883	2.57	733
5	2235	2.79	800
10	2597	2.93	887

Test Condition: Subcooling 3 K, Return Gas 20 °C.

### PERFORMANCE CURVE

Ambient Temperature 32°C

Evaporating Temperature °C	Cooling Capacity W	Efficiency W/W	Consumo de Potencia W
-15	910	1.56	584
-5	1410	2.02	697
0	1711	2.27	754
5	2032	2.46	824
10	2361	2.58	915

Test Condition: Subcooling 3 K, Return Gas 20 °C.

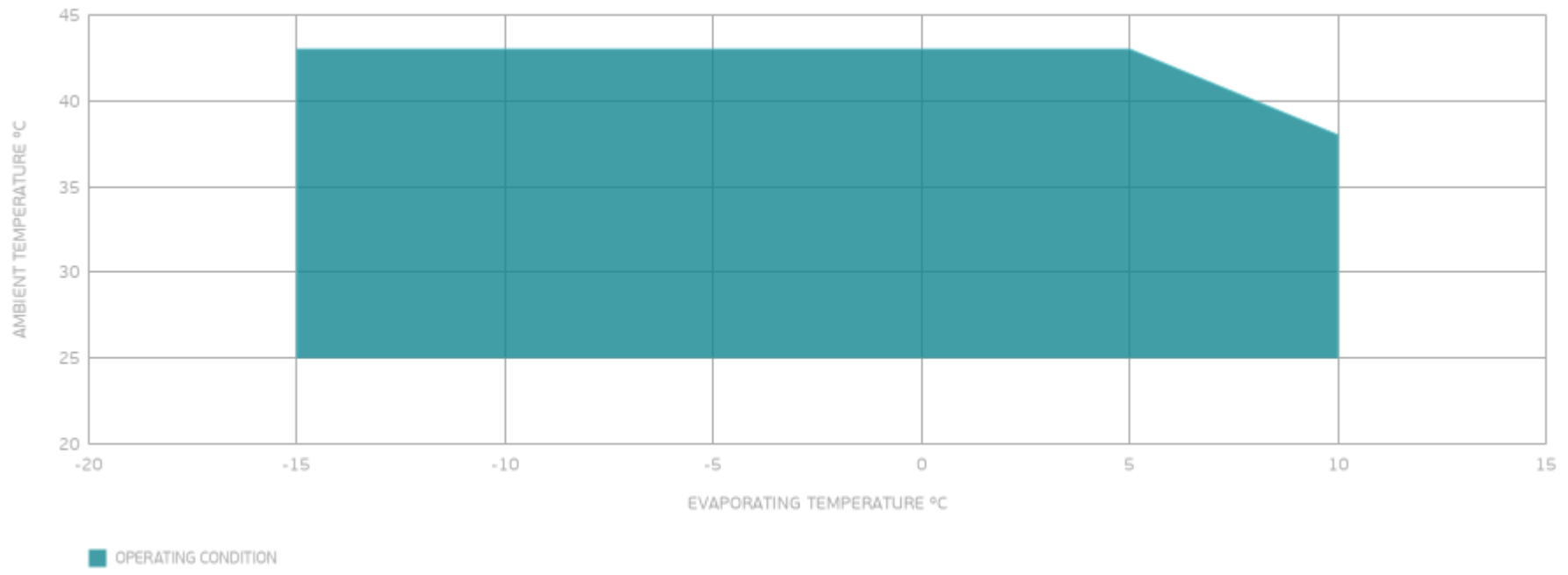
### PERFORMANCE CURVE

Ambient Temperature 43°C

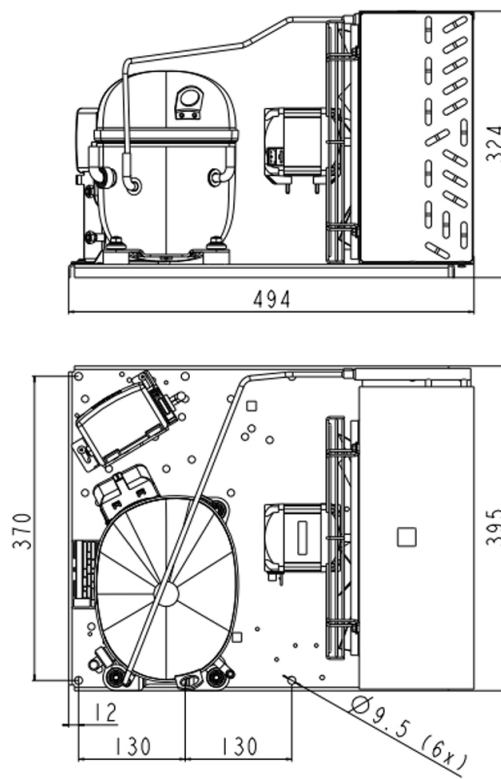
Evaporating Temperature °C	Cooling Capacity W	Efficiency W/W	Consumo de Potencia W
-15	728	1.22	596
-5	1181	1.63	726
0	1455	1.83	794
5	1745	1.99	876

Test Condition: Subcooling 3 K, Return Gas 20 °C.

## ENVELOPE



## EXTERNAL DIMENSIONS



## WIRING DIAGRAM

