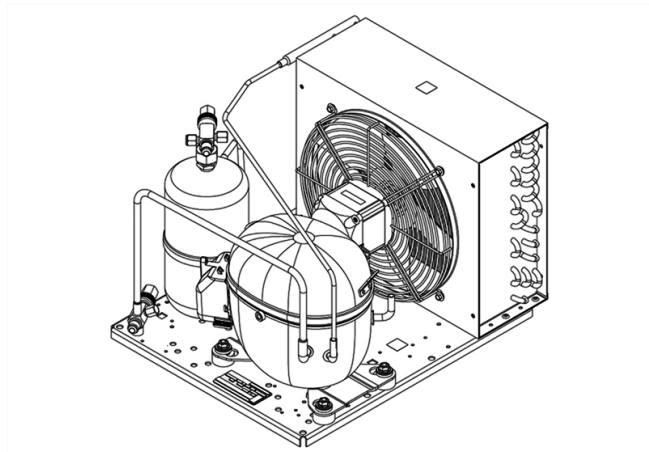


UNT6222U



CE


ENGINEERING CODE
602EA0612AA

POWER SUPPLY
220-240 V 50 Hz

MOTOR TYPE
CSIR

REFRIGERANT
R-290

APPLICATION
HBP

STANDARD
EN13215_RG20

COOLING CAPACITY
1389 W

EFFICIENCY
1.65 W/W

DATA

GENERAL DATA

Model	UNT6222U
-------	----------

ACCESSORIES

Discharge valve	SOLDER 3/8"	2110049
Suction valve	SOLDER 3/8"	2110046

CONDENSING COMPONENTS

Compressor	NT6222U	M/HBP
Condenser	3R12T	2451140
Refrigerant	R-290	
Expansion Device	C-V	
Fan Blade Diameter	275	
Fankit	IQ3620 275/31/5B	1996704

MECHANICAL DATA

Air Flow	640 m ³ /h
Height	323 mm
Receiver	2.3 L
Weight	31 Kg
Width	395 mm
Length	494 mm

PERFORMANCE

TESTED CONDITIONS

Tested Refrigerant	R-290
Tested Application	HBP
Tested Standard	EN13215_RG20

RATED POINTS

Ambient Temperature °C	Evaporating Temperature °C	Cooling Capacity W	Efficiency W/W	Consumo de Potencia W
32	-10	1389	1.65	844

Test Condition: Subcooling 3 K, Return Gas 20 °C.

PERFORMANCE CURVE

Ambient Temperature 25°C

Evaporating Temperature °C	Cooling Capacity W	Efficiency W/W	Consumo de Potencia W
-20	1037	1.46	709
-15	1265	1.66	760
-5	1811	2.06	878
0	2116	2.23	949
5	2434	2.36	1031
10	2759	2.45	1126

Test Condition: Subcooling 3 K, Return Gas 20 °C.

PERFORMANCE CURVE

Ambient Temperature 32°C

Evaporating Temperature °C	Cooling Capacity W	Efficiency W/W	Consumo de Potencia W
-20	937	1.29	726
-15	1148	1.47	783
-5	1655	1.81	912
0	1937	1.96	990
5	2231	2.07	1079
10	2529	2.14	1182

Test Condition: Subcooling 3 K, Return Gas 20 °C.

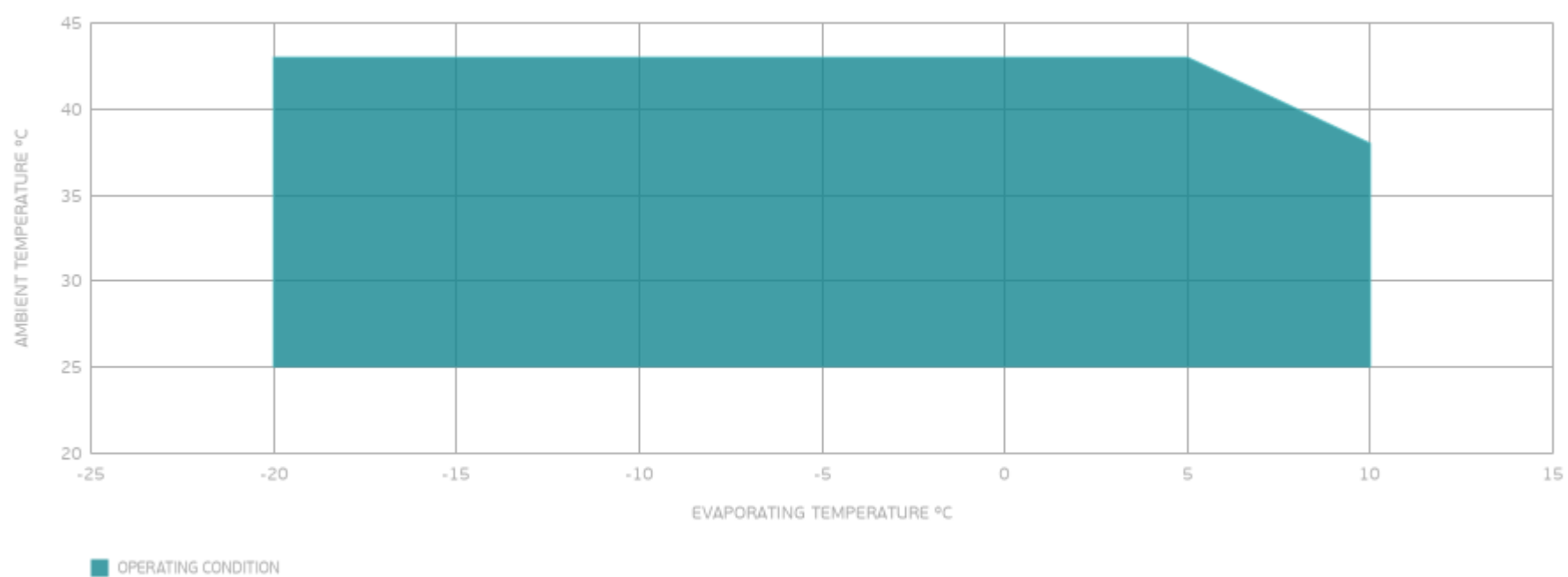
PERFORMANCE CURVE

Ambient Temperature 43°C

Evaporating Temperature °C	Cooling Capacity W	Efficiency W/W	Consumo de Potencia W
-20	745	1.00	747
-15	911	1.10	826
-5	1319	1.32	1003
0	1548	1.40	1106
5	1785	1.46	1221

Test Condition: Subcooling 3 K, Return Gas 20 °C.

ENVELOPE



EXTERNAL DIMENSIONS

