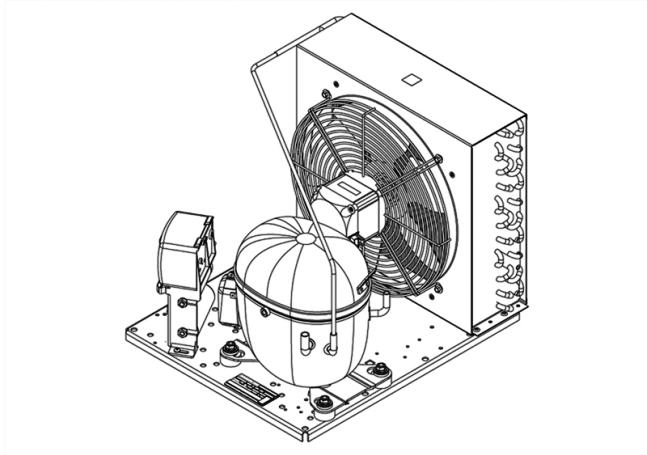


UNT6226GK



ENGINEERING CODE
603BA5304AA



POWER SUPPLY
220-240 V 50 Hz



MOTOR TYPE
CSR



REFRIGERANT
R-404A



APPLICATION
HBP



STANDARD
EN13215_RG20



COOLING CAPACITY
1885 W



EFFICIENCY
1.79 W/W

CE

ECODESIGN COMPLIANT

DATA

GENERAL DATA

Model UNT6226GK

CONDENSING COMPONENTS

Compressor	NT6226GK	M/HBP
Condenser	3R14T	2451221
Refrigerant	R-404A	
Expansion Device	C-V	
Fan Blade Diameter	300	
Fankit	34W 300/28/5B	1996585

MECHANICAL DATA

Air Flow	700 m ³ /h
Height	372 mm
Shaft Power	34
Weight	32 Kg
Width	405 mm
Length	485 mm

PERFORMANCE

TESTED CONDITIONS

Tested Refrigerant	R-404A
Tested Application	HBP
Tested Standard	EN13215_RG20

RATED POINTS

Ambient Temperature °C	Evaporating Temperature °C	Cooling Capacity W	Efficiency W/W	Consumo de Potencia W
32	-10	1885	1.79	1056

Test Condition: Subcooling 3 K, Return Gas 20 °C.

PERFORMANCE CURVE

Ambient Temperature 25°C

Evaporating Temperature °C	Cooling Capacity W	Efficiency W/W	Consumo de Potencia W
-20	1457	1.74	839
-15	1762	1.91	921
-5	2490	2.24	1112
0	2889	2.37	1218
5	3296	2.48	1331
10	3698	2.55	1448

Test Condition: Subcooling 3 K, Return Gas 20 °C.

PERFORMANCE CURVE

Ambient Temperature 32°C

Evaporating Temperature °C	Cooling Capacity W	Efficiency W/W	Consumo de Potencia W
-20	1289	1.48	871
-15	1567	1.64	959
-5	2231	1.92	1162
0	2592	2.03	1276
5	2958	2.12	1395
10	3315	2.18	1520

Test Condition: Subcooling 3 K, Return Gas 20 °C.

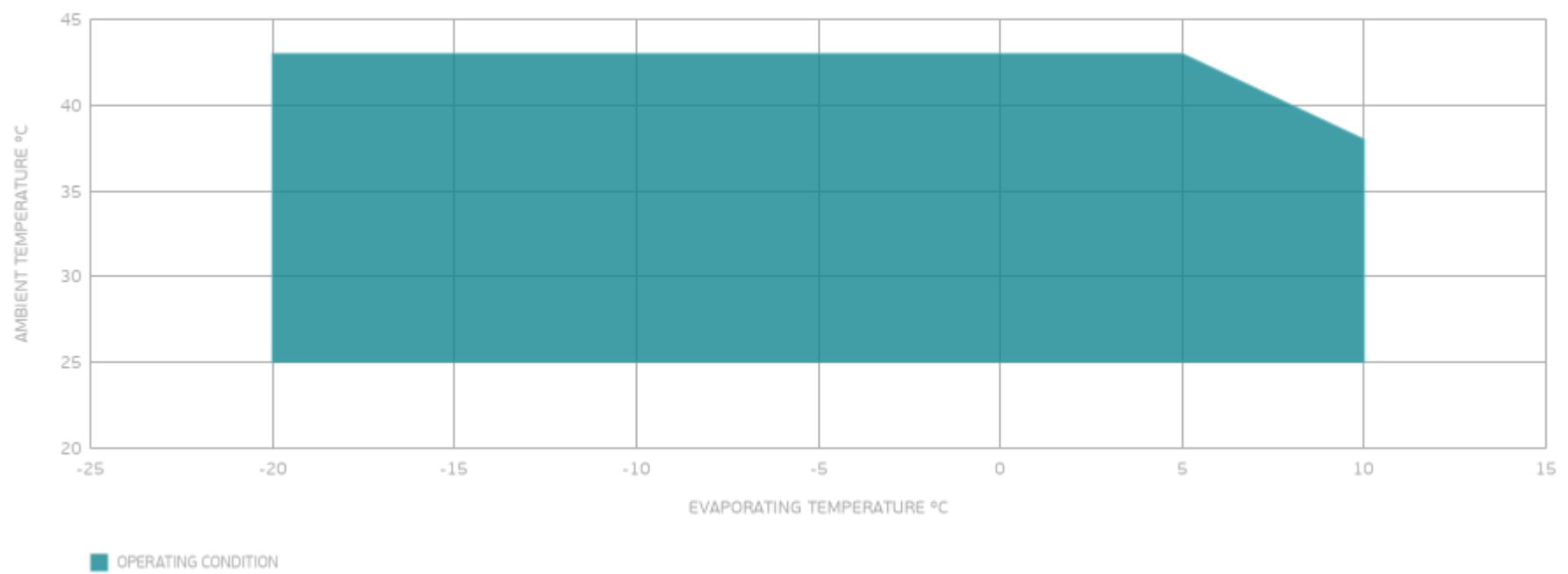
PERFORMANCE CURVE

Ambient Temperature 43°C

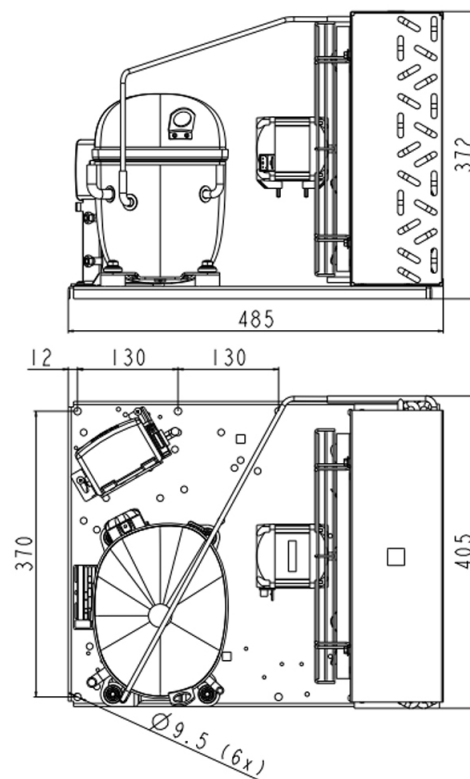
Evaporating Temperature °C	Cooling Capacity W	Efficiency W/W	Consumo de Potencia W
-20	1034	1.15	903
-15	1269	1.26	1006
-5	1827	1.47	1241
0	2127	1.55	1371
5	2426	1.61	1507

Test Condition: Subcooling 3 K, Return Gas 20 °C.

ENVELOPE



EXTERNAL DIMENSIONS



WIRING DIAGRAM

