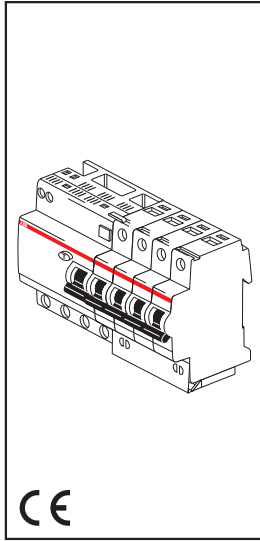


# DS 200

System pro M compact®

DS 200 L  
DS 200  
DS 200 M

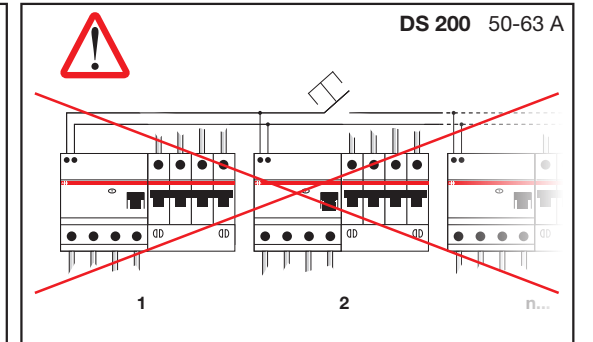
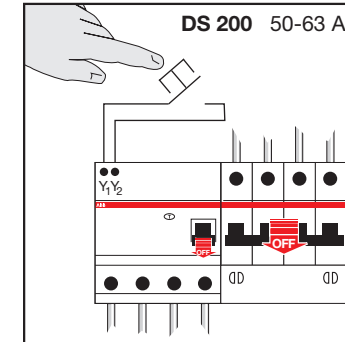
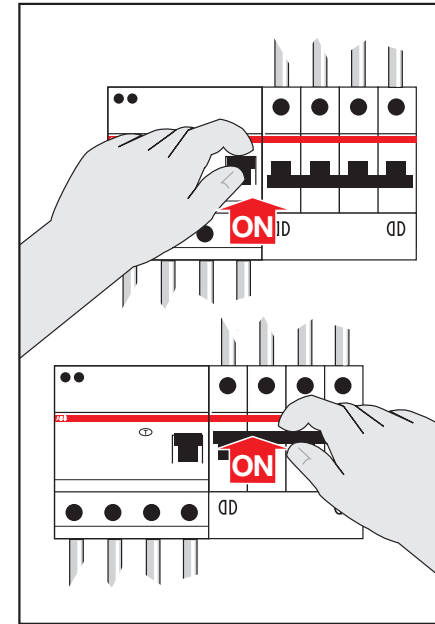
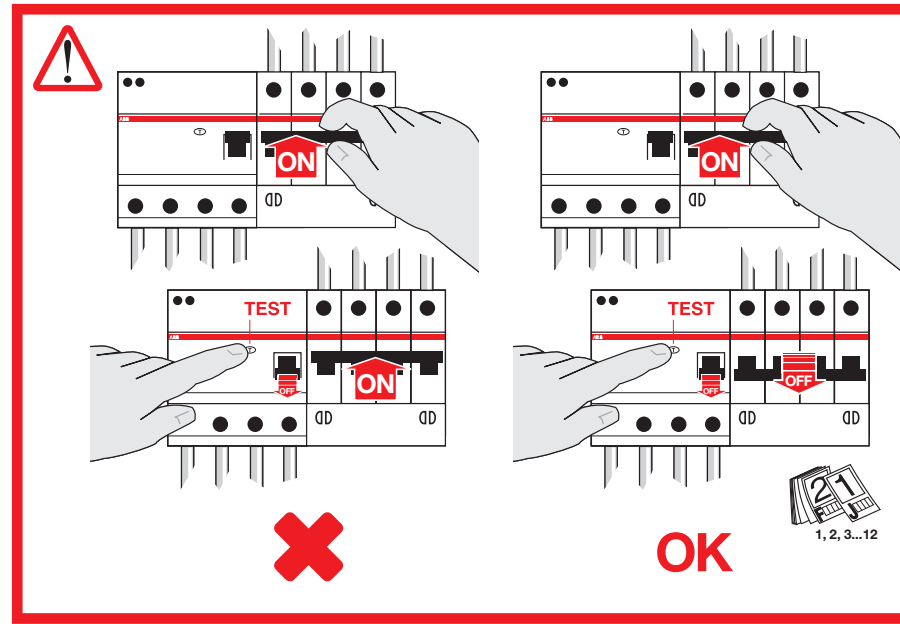
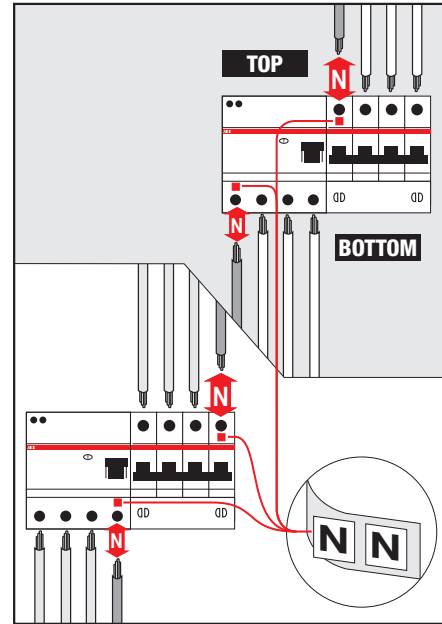
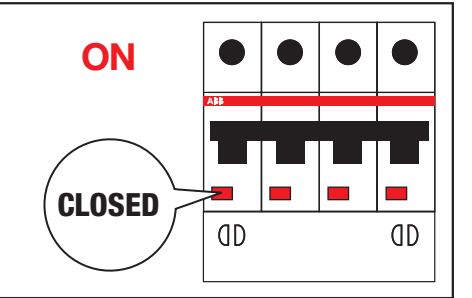
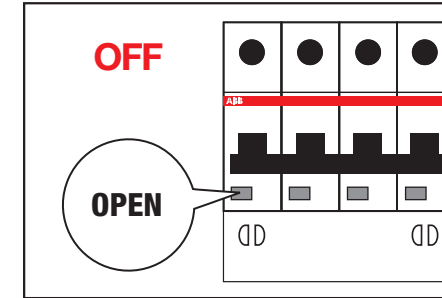
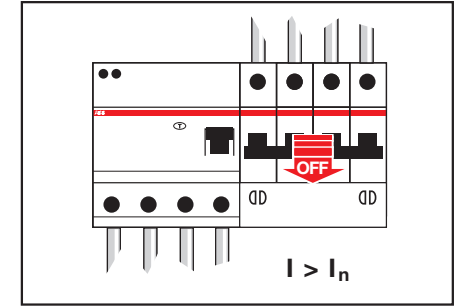
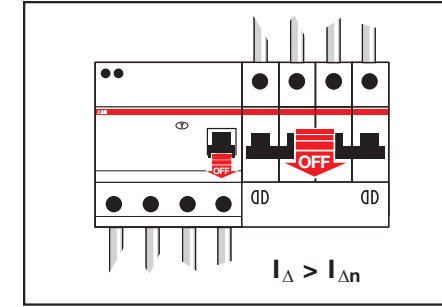
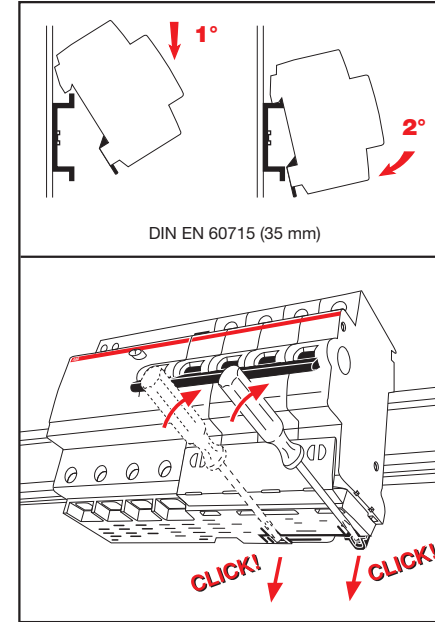
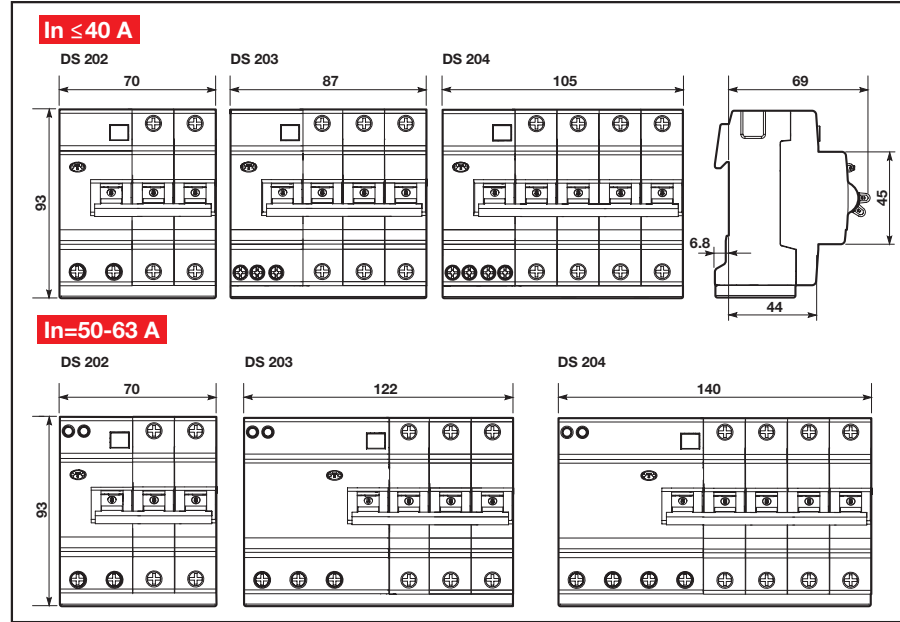


2CSR43001D0004



ABB S.p.A.  
V.le dell'Industria 18  
20010 Vittuone (MI), Italy

www.abb.com/lowvoltage



⚡	Standard terminals System pro M compact		Additional terminals for remote tripping (6 mm <sup>2</sup> )	
	Terminal	Torque	Terminal	Torque
2P	12,5 mm	2,8 Nm	Additional terminals not present	
3P; 4P; In ≤ 40A	12,5 mm	BOTTOM: 1,2 Nm TOP: 2,8 Nm	Additional terminals not present	
3P; 4P; 50A ≤ In ≤ 63A	12,5 mm	2,8 Nm	10,2 mm	0,8 Nm